

BALDOR® • RELIANCE 

Product Information Packet

EM44404T-4

400HP, 1785RPM, 3PH, 60HZ, L449T, TEFC, F1

Part Detail							
Revision:	B	Status:	PRD/A	Change #:		Proprietary:	No
Type:	AC	Elec. Spec:	A44WG4239	CD Diagram:	416820-008	Mfg Plant:	
Mech. Spec:		Layout:	617423-200	Poles:	04	Created Date:	04-13-2015
Base:		Eff. Date:	03-01-2017	Leads:	6#1 (02 per group)		

Specs			
Catalog Number:	EM44404T-4	Frame Prefix:	L
Enclosure:	TEFC	Heater Indicator:	No Heater
Frame:	L449T	Insulation Class:	F
Frame Material:	Iron	Inverter Code:	Inverter Ready
Output @ Frequency:	400.000 HP @ 60 HZ	IP Rating:	NONE
Synchronous Speed @ Frequency:	1800 RPM @ 60 HZ	KVA Code:	G
Voltage @ Frequency:	460.0 V @ 60 HZ	Motor Lead Quantity/Wire Size:	12 @ 1 AWG
XP Class and Group:	None	Motor Type:	A44208M
XP Division:	Not Applicable	Mounting Arrangement:	F1
Agency Approvals:	CCSA US	Power Factor:	89
	CSA EEV	Product Family:	General Industrial
Auxillary Box:	No Auxillary Box	Pulley End Bearing Type:	Ball
Base Indicator:	Rigid	Shaft Ground Indicator:	No Shaft Grounding
Bearing Grease Type:	Polyrex EM (-20F +300F)	Shaft Rotation:	Reversible
Current @ Voltage:	436.000 A @ 460.0 V	Shaft Slinger Indicator:	No Slinger
Design Code:	B	Speed Code:	Single Speed
Drip Cover:	No Drip Cover	Motor Standards:	NEMA
Duty Rating:	CONT	Starting Method:	Wye Start - Delta Run

Feedback Device:	NO FEEDBACK	Thermal Device - Bearing:	None
		Thermal Device - Winding:	None

Nameplate NP2496L

MOBIL POLYREX EM

Nameplate NP2349L											
SPEC NO.	A44-7128-4239			CAT.NO.	EM44404T-4			FRAME	L449T		
HP	400	VOLTS	460	PHASE	3	DESIGN	B	TYPE	P		
RPM	1785	AMPS	436	HZ	60	AMB	40	SF	1.00		
DRIVE END BEARING	110BC02J30X			DUTY	CONT		INSUL.CLASS	F			
OPP D.E. BEARING	90BC03J30X			ENCL	TEFC		CODE	G			
SER.NO.				POWER FACTOR	89		NEMA-NOM-EFFICIENCY	96.2			
							MAX CORR KVAR	75.2		GUARANTEED EFFICIENCY	95.4
							NEMA NOM/CSA QUOTED EFF				
							MOTOR WEIGHT	3680			

Parts List		
Part Number	Description	Quantity
SA297935	SA A44-7128-4239	1.000 EA
RA284917	RA A44-7128-4239	1.000 EA
421948044	LABEL, MYLAR	1.000 EA
NP2496L	MOTOR LUBE NAMEPLATE	1.000 EA
000613006PU	N/P (RELEASE QTY 10,000) UL CSA LABEL	1.000 EA
000692000FF	N/P	1.000 EA
000692000VD	LABEL WARNING	1.000 EA
NP2349L	SUPER-E ,SS, CSA, CSA SUPER-E	1.000 EA
089490099A	G28 BRKT 089490098WCA KB	1.000 EA
083199082A	G28 FAN COVER MACHINING SHORT VERSION	1.000 EA
034180014DA	KEY 1/4X1/4X1-3/4 L	1.000 EA
412118006A	DRAIN	1.000 EA
702618004T	FAN KB 182/70 (112) 440	1.000 EA
004824015A	GREASE POLYREX EM	1.160 LB
032018020FK	HHCS 3/4-10X2-1/2 PLTD.	4.000 EA
032018008CK	HHCS 3/8-16X1L PLATED	4.000 EA
032018030DK	HHCS 1/2-13X3-3/4 PLTD.	3.000 EA
415096002A	CPLG 1/8 HEX TYPE	1.000 EA
415045002A	SLGR	1.000 EA
410700004A	WSHR	1.000 EA
034017014AB	LCKW 3/8 STD. PLATED	4.000 EA
034530072AB	P/NIP 1/8X9"L Threaded both ends	1.000 EA
034690005AB	PPLG 3/4 PLATED	2.000 EA
034690002AB	PPLG 1/4" PLTD.	1.000 EA

Parts List (continued)		
Part Number	Description	Quantity
034630002AB	CPLG 1/4" PLATED	1.000 EA
034530072BB	PIPE NIPPLE,DE - 440-BS	1.000 EA
702623022A	G28 AIR DEFLECTOR DRIVE END -- PLASTIC	1.000 EA
418151014H	RETAIN RING	1.000 EA
034630002AB	CPLG 1/4" PLATED	1.000 EA
034530072BB	PIPE NIPPLE,DE - 440-BS	1.000 EA
034690002AB	PPLG 1/4" PLTD.	1.000 EA
702623013A	THERMAL BARRIER -- G28 -- BRACKET MTD	1.000 EA
032018004BK	HHCS 5/16-18X1/2 PLATED	3.000 EA
034017013AB	LCKW 5/16 STD. PLATED	3.000 EA
089490101A	G28 BRKT 089490100WCA	1.000 EA
032018020FK	HHCS 3/4-10X2-1/2 PLTD.	4.000 EA
032018030DK	HHCS 1/2-13X3-3/4 PLTD.	3.000 EA
415045002D	SLGR - 440	1.000 EA
412118006A	DRAIN	1.000 EA
034530072AB	P/NIP 1/8X9"L Threaded both ends	1.000 EA
415096002A	CPLG 1/8 HEX TYPE	1.000 EA
032018006BK	HHCS 5/16-18X3/4 PLATED	3.000 EA
034017013AB	LCKW 5/16 STD. PLATED	3.000 EA
034001013AB	FLTW BAFFLE	3.000 EA
415915007G	GASK, LAC	1.000 FT
406056008A	GASKET, TERBD 440	1.000 EA
415039027A	GASKET, G28 LEAD THROAT	1.000 EA
418150003A	GREASE FITTING CAP	1.000 EA

Product Information Packet: EM44404T-4 - 400HP,1785RPM,3PH,60HZ,L449T,TEFC,F1

032018008DK	HHCS 1/2-13X1 PLATED	4.000 EA
032620016LA	SOCKET SET SCREW-449	3.000 EA
702616012T	CONDUIT BOX	1.000 EA
035000001A	ALFTG 1/8" 1610-BL	1.000 EA
406099000A	PLUG - FAN COVER 320-440	1.000 EA
035000001A	ALFTG 1/8" 1610-BL	1.000 EA
418150003A	GREASE FITTING CAP	1.000 EA
415030115A	G28 C/BOX 415030114WCA	1.000 EA
032130014DB	HSHCS1/2-13X1-3/4 PLATE	4.000 EA
034000016AB	WSHR .531ID 1.062OD .095	4.000 EA
MG1025Y17	WILKOFAS, 789.701, SUPER E PEARL GOLD	0.500 GA
033775004EA	DRSCR #6-1/4 304 S.S.	2.000 EA
034180054KA	KEY 7/8X7/8X6-3/4 L	1.000 EA
604797056	400-447 FRAME 60 X 42	1.000 EA
032510026D	CARRIAGE BOLT - 440	2.000 EA
034001014AB	FLAT WASHER 3/8"PLATED	2.000 EA
034001016AB	WSHR .562ID 1.375OD .109	2.000 EA
033300014AC	HEX NUT, SHIPPING - 400	2.000 EA
604799003C	PLASTIC BAG 42X32X46	1.000 EA

REL. S.O.	FRAME	HP	TYPE	PHASE/HERTZ	RPM	VOLTS
	L449T	400	P	3/60	1785	460
AMPS	DUTY	AMB °C/ INSUL.	S.F.	NEMA DESIGN	CODE LETTER	ENCL.
436	CONT	40/F	1.00	B	G	TEFC
E/S	ROTOR	TEST S.O.	TEST DATE	STATOR RES. @25 °C (OHMS (BETWEEN LINES))		
444239	418143041SE	---	---	.00719		

PERFORMANCE

LOAD	HP	AMPERES	RPM	POWER FACTOR %	EFFICIENCY %
NO LOAD	0	105	1800	4.75	0
1/4	100	149	1796	66.8	94.4
2/4	200	231	1792	84.1	96.2
3/4	300	330	1788	88.3	96.5
4/4	400	436	1784	89.2	96.3
5/4	500	545	1779	89.5	95.9

SPEED TORQUE

	RPM	TORQUE % FULL LOAD	TORQUE LB.-FT.	AMPERES
LOCKED ROTOR	0	179	2105	2900
PULL UP	700	173	2042	2668
BREAKDOWN	1726	266	3132	1608
FULL LOAD	1784	100	1178	436

AMPERES SHOWN FOR 460. VOLT CONNECTION. IF OTHER VOLTAGE CONNECTIONS ARE AVAILABLE, THE AMPERES WILL VARY INVERSELY WITH THE RATED VOLTAGE

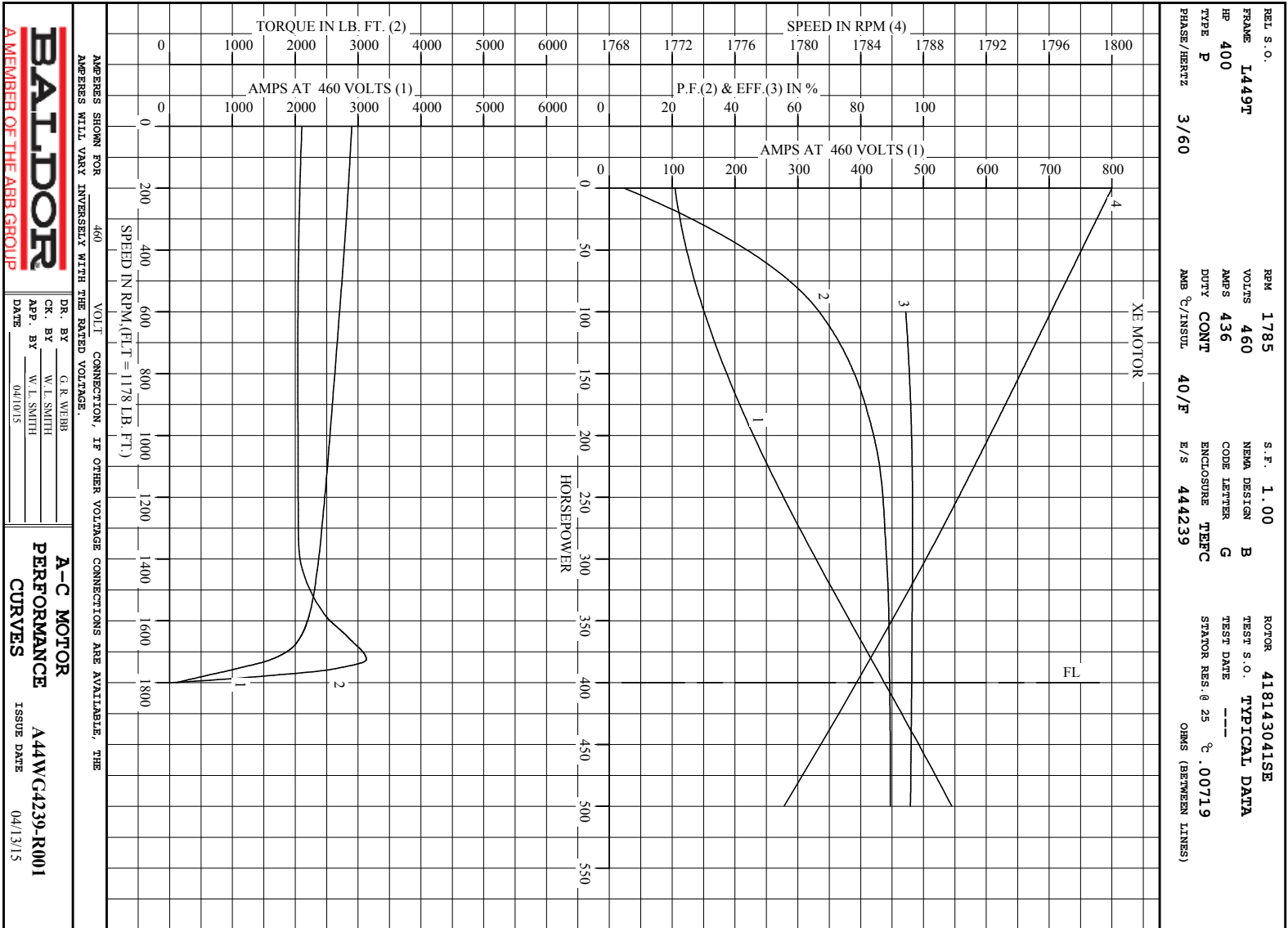
REMARKS: TYPICAL DATA
XE MOTOR



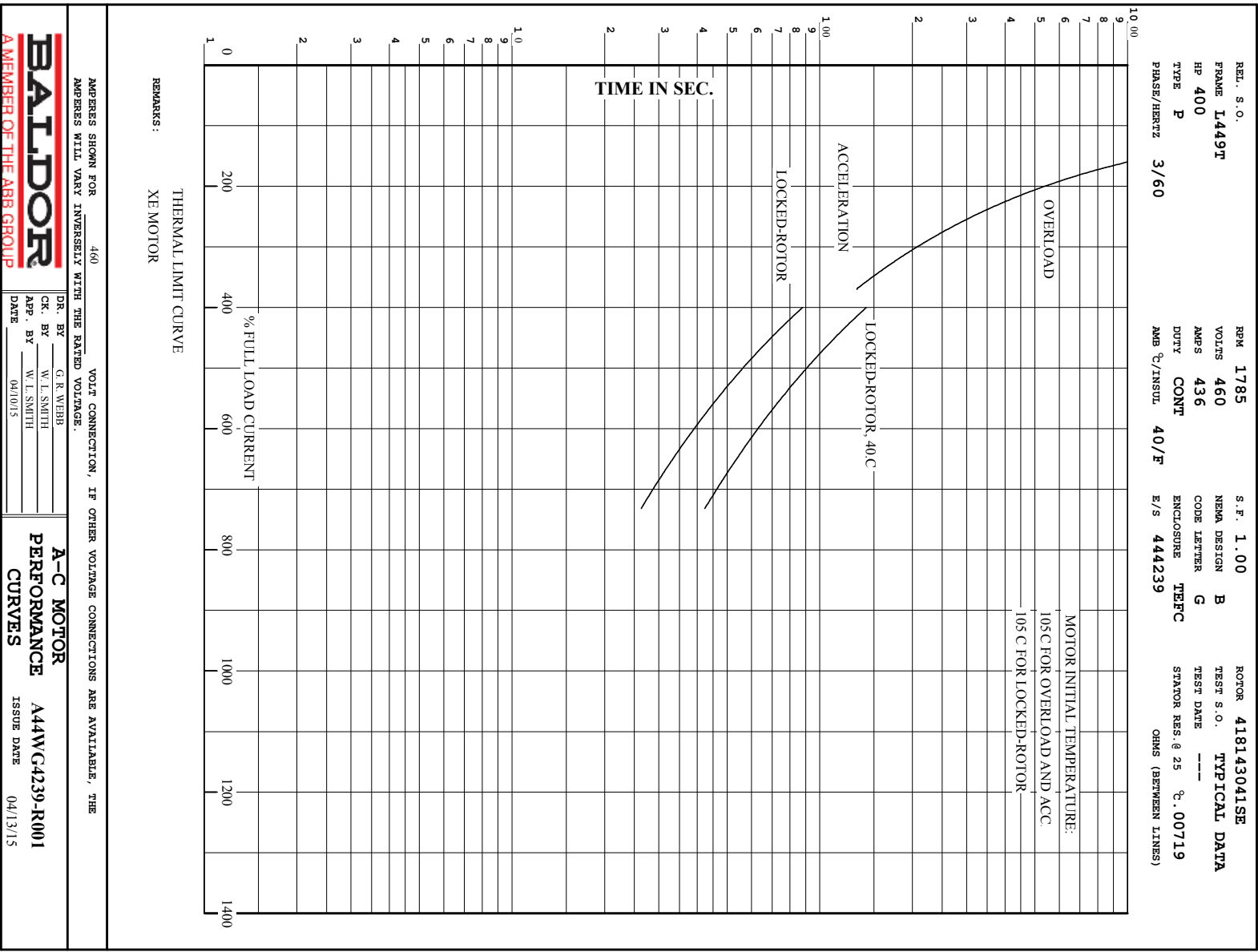
A MEMBER OF THE ABB GROUP

DR. BY G. R. WEBB
CR. BY W. I. SMITH
APP. BY W. I. SMITH
DATE 04/10/15

A-C MOTOR PERFORMANCE DATA
A44WG4239-R001
ISSUE DATE 04/13/15



Printed on 4/13/15 12:39 @ paces-motorseng



DUTY MASTER ALTERNATING CURRENT MOTORS

SQUIRREL-CAGE INDUCTION

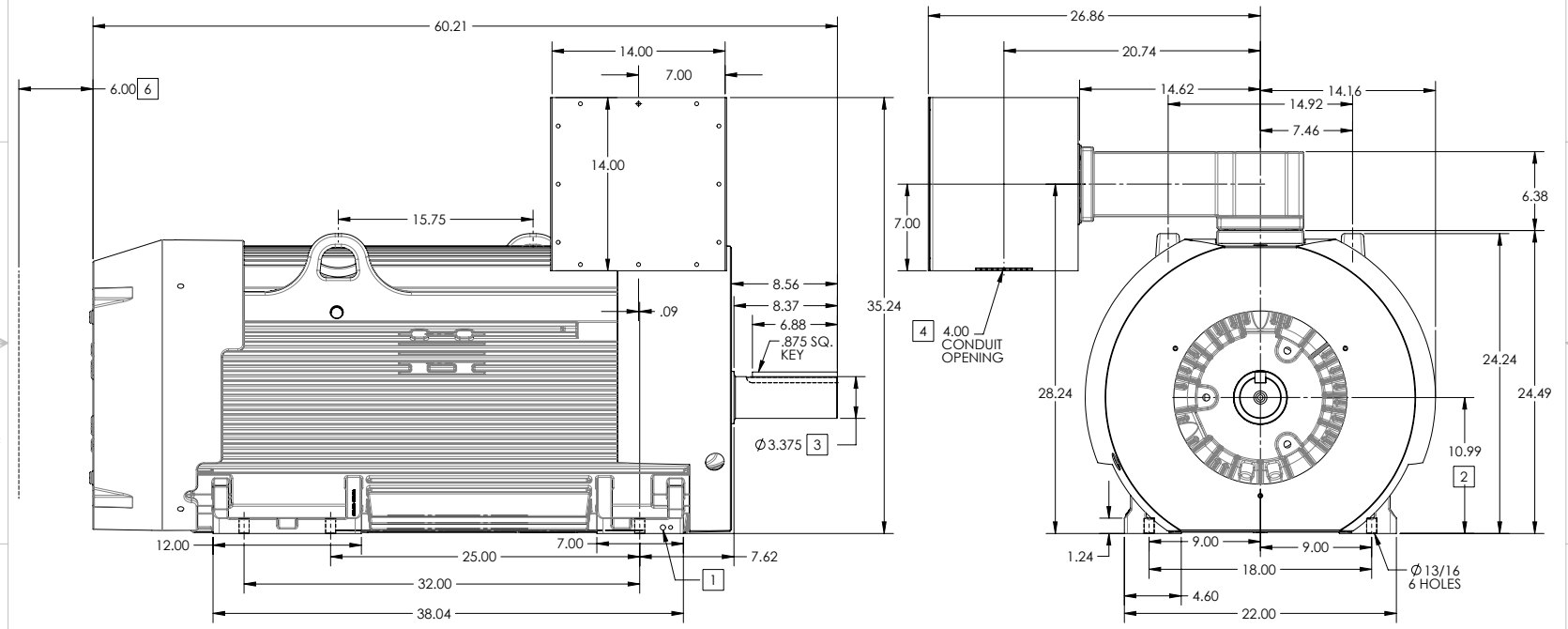
ENCLOSURE: TOTALLY ENCLOSED

FRAME GL449T ABOVE NEMA RATINGS

COOLING: FAN COOLED

MOUNTING: FOOT

INCLUDES G449T FRAME MOUNTING HOLES



1. GROUND HOLES QTY 1 1/2-13 TAP; QTY 1 3/8-16 TAP
2. VARIES +.00,-.06
3. VARIES +.00,-.001
4. FABRICATED STEEL CONDUIT BOX WITH AN OPENING FOR CONDUIT.
5. MOTOR WEIGHTS MAY VARY BY 15% DEPENDING ON RATING.
6. OBSTRUCTION MUST NO ENCROACH ON AIR INLET

CONDUIT BOX LOCATED ON OPPOSITE SIDE WHEN F-2.
IF MOUNTING CLEARANCE DETAILS ARE REQUIRED, CONSULT FACTORY.
MAXIMUM PERMISSIBLE SHAFT RUNOUT WHEN MEASURED AT END OF
STANDARD SHAFT EXTENSION IS .003" T.I.R. TO 5 INCH DIA.

WEIGHT (LBS): 3875

DRIVE END AIR DEFLECTOR IS ONLY INCLUDED WHEN NECESSARY.

DIMENSIONS ARE IN INCHES; SEE SHEET 2 FOR DIMENSIONS IN MILLIMETERS

CUSTOMER IS RESPONSIBLE FOR DETERMINING THAT MOTOR PERFORMANCE IS SUITABLE IN THE APPLICATION.

REV. DESC: NEW DRAWING	VERSION: 00	REVISED: 12/31/00 09/22/2014	TDR: 000000871203
MODEL NO. 617423-200	BY: RAGEC	Material:	REF:

BALDOR

DIM SHEET GL449T/449T FOOT MOUNTED HORIZONTAL 14X14X12 CBOX

00C-23219

617423-200

DUTY MASTER ALTERNATING CURRENT MOTORS

SQUIRREL-CAGE INDUCTION

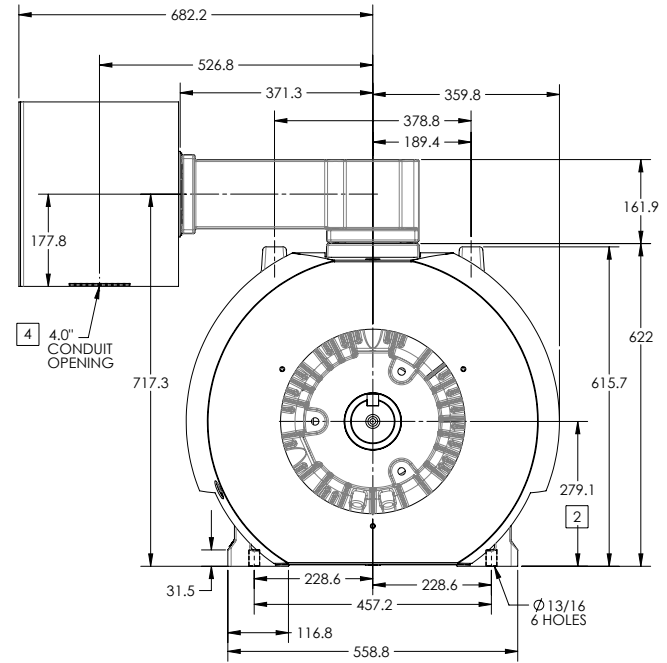
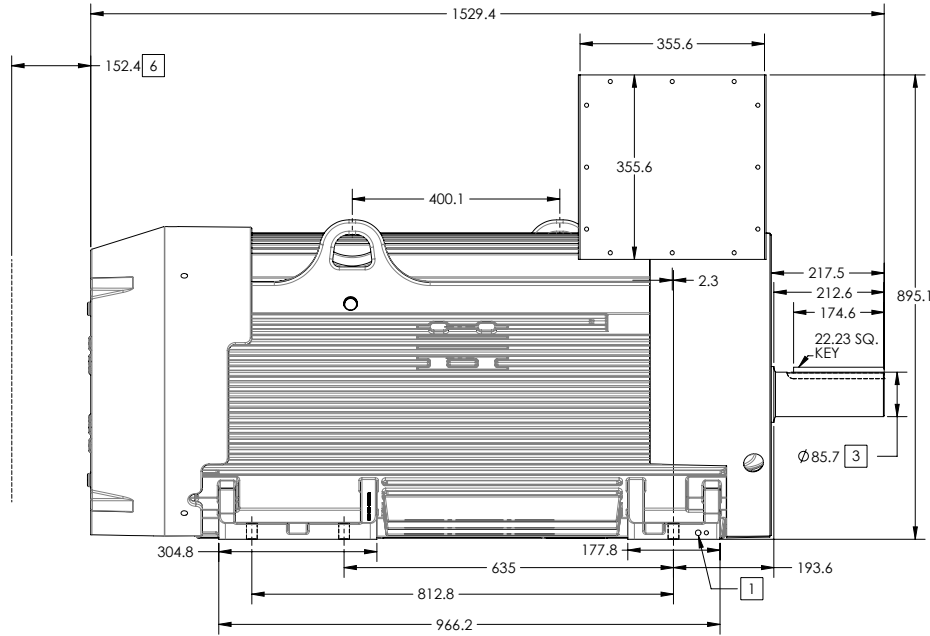
ENCLOSURE: TOTALLY ENCLOSED

FRAME GL449T ABOVE NEMA RATINGS

COOLING: FAN COOLED

MOUNTING: FOOT

INCLUDES G449T FRAME MOUNTING HOLES



1. GROUND HOLES QTY 1 1/2-13 TAP; QTY 1 3/8-16 TAP
2. VARIES +.00,-.06
3. VARIES +.000,-.001
4. FABRICATED STEEL CONDUIT BOX WITH AN OPENING FOR CONDUIT.
5. MOTOR WEIGHTS MAY VARY BY 15% DEPENDING ON RATING.
6. OBSTRUCTION MUST NO ENCROACH ON AIR INLET

CONDUIT BOX LOCATED ON OPPOSITE SIDE WHEN F-2.
IF MOUNTING CLEARANCE DETAILS ARE REQUIRED, CONSULT FACTORY.
MAXIMUM PERMISSIBLE SHAFT RUNOUT WHEN MEASURED AT END OF
STANDARD SHAFT EXTENSION IS .08 MM T.I.R. TO 127 MM DIA.

WEIGHT (KGS): 1760

DRIVE END AIR DEFLECTOR IS ONLY INCLUDED WHEN NECESSARY.

DIMENSIONS ARE IN MILLIMETERS; SEE SHEET 1 FOR DIMENSIONS IN INCHES

CUSTOMER IS RESPONSIBLE FOR DETERMINING THAT MOTOR PERFORMANCE IS SUITABLE IN THE APPLICATION.

REV. DESC: NEW DRAWING			
REV: -	VERSION: 00	REVISED: 12/31/00 09/22/2014	TDR: 000000871203
MODEL NO. 617423-200		REF:	
BY: RAGEC	Material:	C	

BALDOR

DIM SHEET GL449T/449T FOOT MOUNTED HORIZONTAL 14X14X12 CBOX

00C-23719

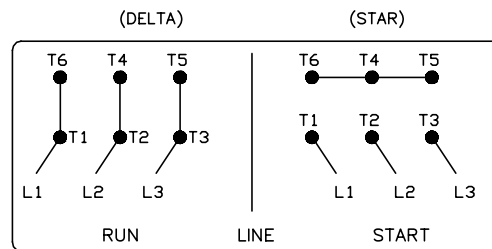
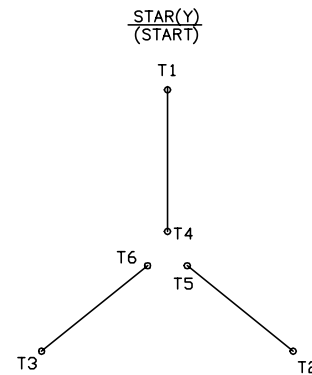
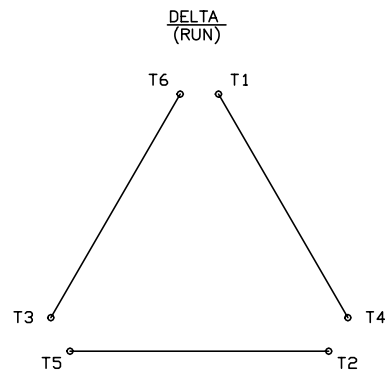
617423-200

416820-008

A-C MOTOR CONNECTION DIAGRAM

STANDARD 6 LEAD

Y START - DELTA RUN



< N. P. 1767-DC >

416820-008

REV. DESC: ADDED T4 TO Y CONNECT DIAGRAM		
REV. LTR: D	VERSION: 04	TDR: 00000847713
FILE: \RAG\00001\808	REVISED: 10: 41: 26 04/08/2014	BY: RAGJSS1
MTL: -		



CONNECT DIAGRAM STD 6 LEAD Y START DELTA RUN

SH 1 of 1

Marketing maintained PDF of MN408:

<http://www.baldor.com/support/Literature/Load.ashx/MN408?ManNumber=MN408>

Marketing maintained PDF of MN416:

<http://www.baldor.com/support/Literature/Load.ashx/MN416?ManNumber=MN416>