

**BALDOR® • RELIANCE** 

**Product Information Packet**

**EM4458T**

**50HP,890RPM,3PH,60HZ,404T,TEFC,F1**

Part Detail							
Revision:	C	Status:	PRD/A	Change #:		Proprietary:	No
Type:	AC	Elec. Spec:	A40WG0784	CD Diagram:	416820-002	Mfg Plant:	
Mech. Spec:		Layout:	617429-001	Poles:	08	Created Date:	11-23-2015
Base:		Eff. Date:	04-06-2018	Leads:	3#4,6#6		

Specs			
Catalog Number:	EM4458T	Feedback Device:	NO FEEDBACK
Enclosure:	TEFC	Heater Indicator:	No Heater
Frame:	404T	Insulation Class:	F
Frame Material:	Iron	Inverter Code:	Inverter Ready
Output @ Frequency:	50.000 HP @ 60 HZ	IP Rating:	NONE
Synchronous Speed @ Frequency:	900 RPM @ 60 HZ	KVA Code:	F
Voltage @ Frequency:	230.0 V @ 60 HZ	Motor Lead Quantity/Wire Size:	3 @ 4 AWG
	460.0 V @ 60 HZ	Motor Type:	A40060M
XP Class and Group:	None	Mounting Arrangement:	F1
XP Division:	Not Applicable	Power Factor:	80
Agency Approvals:	CCSA US	Product Family:	General Industrial
	CSA EEV	Pulley End Bearing Type:	Ball
Auxillary Box:	No Auxillary Box	Pulley Face Code:	Standard
Base Indicator:	Rigid	Shaft Ground Indicator:	No Shaft Grounding
Bearing Grease Type:	Polyrex EM (-20F +300F)	Shaft Rotation:	Reversible
Current @ Voltage:	126.000 A @ 230.0 V	Shaft Slinger Indicator:	No Slinger
	63.000 A @ 460.0 V	Speed Code:	Single Speed
Design Code:	B	Motor Standards:	NEMA

<b>Drip Cover:</b>	No Drip Cover	<b>Starting Method:</b>	Direct on line
<b>Duty Rating:</b>	CONT	<b>Thermal Device - Bearing:</b>	NONE (OLD)
		<b>Thermal Device - Winding:</b>	None

Nameplate NP2496L

MOBIL POLYREX EM

Nameplate NP2349L									
SPEC NO.	A40-6923-0784	CAT.NO.	EM4458T	FRAME	404T				
HP	50	VOLTS	230/460	PHASE	3	DESIGN	B	TYPE	P
RPM	890	AMPS	126/63	HZ	60	AMB	40	SF	1.15
DRIVE END BEARING	80BC03J30X	DUTY	CONT	INSUL.CLASS	F				
OPP D.E. BEARING	80BC03J30X	ENCL	TEFC	CODE	F				
SER.NO.		POWER FACTOR	80	NEMA-NOM-EFFICIENCY	93				
				MAX CORR KVAR	20	GUARANTEED EFFICIENCY	91.7		
				NEMA NOM/CSA QUOTED EFF					
	USABLE AT 208V AT 137 AMPS			MOTOR WEIGHT					

Parts List		
Part Number	Description	Quantity
SA310837	SA A40-6923-0784	1.000 EA
RA298235	RA A40-6923-0784	1.000 EA
421948032	LABEL, MYLAR	1.000 EA
NP2496L	MOTOR LUBE NAMEPLATE	1.000 EA
000613006PU	N/P (RELEASE QTY 10,000) UL CSA LABEL	1.000 EA
000692000VD	LABEL WARNING	1.000 EA
NP2349L	SUPER-E ,SS, CSA, CSA SUPER-E	1.000 EA
089412501A	BRKT FTMT G400 FIN MACH 6316 89412500WCA	1.000 EA
083198127A	G400 MOLDED FAN COVER	1.000 EA
034180012DA	KEY 1X4X1/4X1-1/2 L	1.000 EA
702618011RN	FAN 440 702618004T - 2.00 BORE 17.5 DIA	1.000 EA
004824015A	GREASE POLYREX EM	0.880 LB
032018020EK	HHCS 5/8-11X2-1/2 PLTD.	4.000 EA
032018010CK	HHCS 3/8-16X1-1/4 PLTD.	4.000 EA
032018024CK	HHCS 3/8-16X3 PLTD.	3.000 EA
415096002A	CPLG 1/8 HEX TYPE	1.000 EA
410700000DA	WAVY SPRING WASHER	1.000 EA
035000001G	GREASE RELIEF FITTING, ALEMITE 317400	1.000 EA
034000014AB	WSH ID.406 OD.812 TH.065	4.000 EA
034530052AB	P/NIP 1/8X6-1/2 GALV.	1.000 EA
034530056BB	P/NIP 1/4X7 SCHED 40	1.000 EA
034690005AB	PPLG 3/4 PLATED	1.000 EA
034690001AB	1/8" NPT SQHDPLG	1.000 EA
034631002AB	BUSH 1/4 TO 1/8 PLTD.	1.000 EA

Parts List (continued)		
Part Number	Description	Quantity
034600001AA	BUSH 1/4TO1/8 BLACK	1.000 EA
034690001AB	1/8" NPT SQHDPLG	1.000 EA
034600001AA	BUSH 1/4TO1/8 BLACK	1.000 EA
034631002AB	BUSH 1/4 TO 1/8 PLTD.	1.000 EA
089412501A	BRKT FTMT G400 FIN MACH 6316 89412500WCA	1.000 EA
032018020EK	HHCS 5/8-11X2-1/2 PLTD.	4.000 EA
032018024CK	HHCS 3/8-16X3 PLTD.	3.000 EA
034530040BB	P/NIP 1/4X5	1.000 EA
034530040AB	P/NIP 1/8X5 GALV.	1.000 EA
035000001G	GREASE RELIEF FITTING, ALEMITE 317400	1.000 EA
077176000L	C/BOX, 360-400	1.000 EA
077176001A	CBOXC, PAINTED 360-400	1.000 EA
043292000AJ	GASK 320-400	1.000 EA
402731001A	GASK 360-440	1.000 EA
418150003A	GREASE FITTING CAP	1.000 EA
MG1025Y17	WILKOFAS, 789.701, SUPER E PEARL GOLD	0.375 GA
032018005AK	HHCS 1/4-20X5/8 PLATED	4.000 EA
032018008CK	HHCS 3/8-16X1L PLATED	4.000 EA
035000001A	ALFTG 1/8" 1610-BL	1.000 EA
415000103D	T/LUG #4AWG-1/0AWG W/HOLE FOR .250 BOLT	1.000 EA
406099000A	PLUG - FAN COVER 320-440	1.000 EA
033512004LB	HHTTS 1/4-20X1/2 PLTD.	1.000 EA
035000001A	ALFTG 1/8" 1610-BL	1.000 EA
418150003A	GREASE FITTING CAP	1.000 EA

Product Information Packet: EM4458T - 50HP,890RPM,3PH,60HZ,404T,TEFC,F1

033775004EA	DRSCR #6-1/4 304 S.S.	2.000 EA
034180044JA	KEY 3/4X3/4X5-1/2 L	1.000 EA
604797045	STD. 400 FRAME SKID	1.000 EA
032510024D	CARRIAGE BOLT - 444	2.000 EA
034001014AB	FLAT WASHER 3/8"PLATED	2.000 EA
034001016AB	WSHR .562ID 1.375OD .109	2.000 EA
033300014AC	HEX NUT, SHIPPING - 400	2.000 EA
604799003C	PLASTIC BAG 42X32X46	1.000 EA



REL. S.O.	FRAME	HP	TYPE	PHASE/HERTZ	RPM	VOLTS
	404T	50	P	3/60	890	230/460
AMPS	DUTY	AMB °C/ INSUL.	S.F.	NEMA DESIGN	CODE LETTER	ENCL.
126/63	CONT	40/F	1.15	B	F	FOXE
E/S	ROTOR	TEST S.O.	TEST DATE	STATOR RES. @25 °C (BETWEEN LINES)		
595683	418142-71-BE	---	---	.0347/.139		

PERFORMANCE

LOAD	HP	AMPERES	RPM	POWER FACTOR %	EFFICIENCY %
NO LOAD	0	29.4	900	3.93	0
1/4	12.5	32.6	897	40.0	90.1
2/4	25.0	40.3	895	62.3	93.3
3/4	37.5	50.7	892	73.8	93.7
4/4	50.0	63.0	889	79.6	93.4
5/4	62.5	76.8	885	82.3	92.6

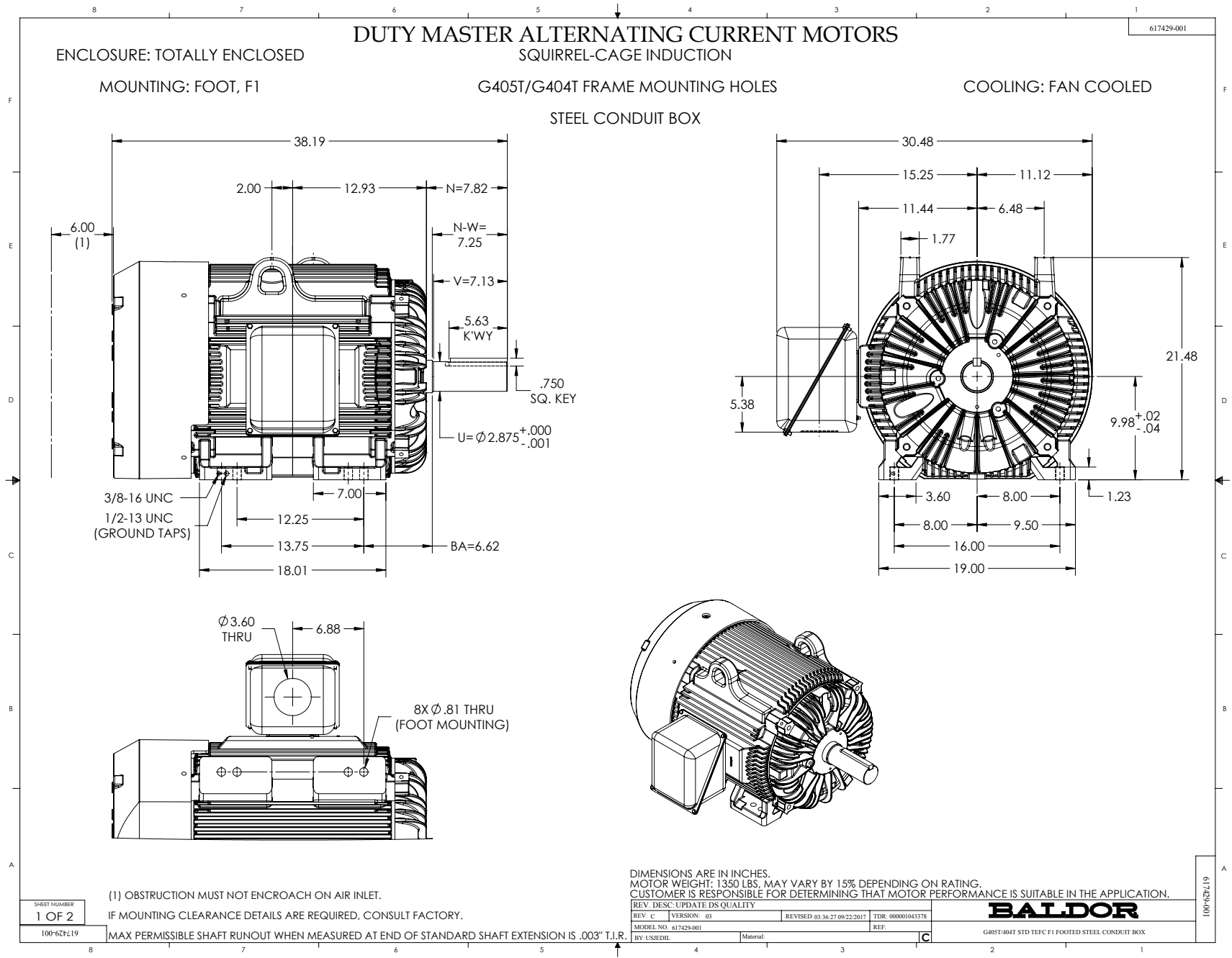
SPEED TORQUE

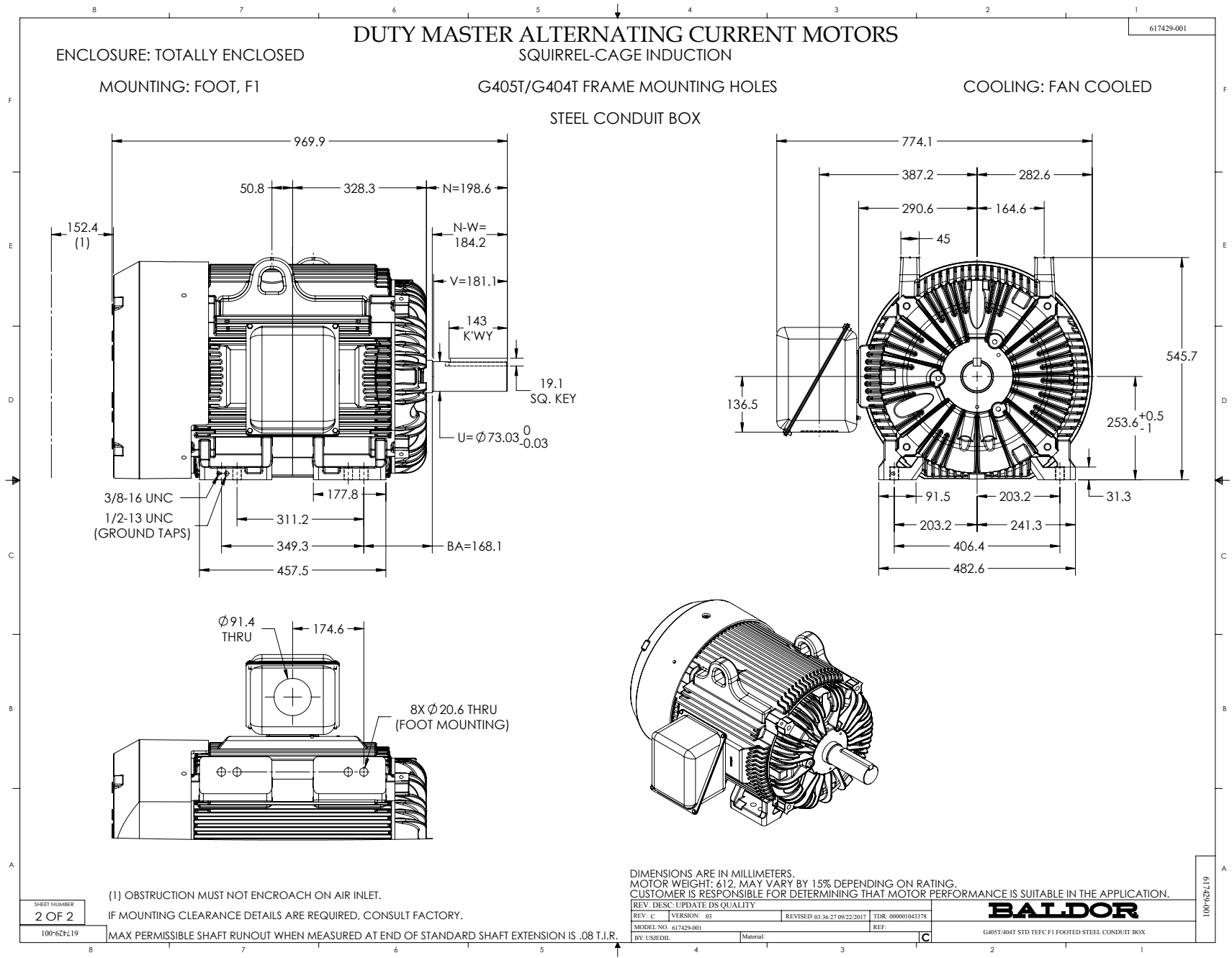
	RPM	TORQUE % FULL LOAD	TORQUE LB.-FT.	AMPERES
LOCKED ROTOR	0	140	415	346
PULL UP	335	125	369	311
BREAKDOWN	845	219	646	197
FULL LOAD	889	100	296	63.0

AMPERES SHOWN FOR 460. VOLT CONNECTION. IF OTHER VOLTAGE CONNECTIONS ARE AVAILABLE, THE AMPERES WILL VARY INVERSELY WITH THE RATED VOLTAGE

REMARKS: XE MOTOR-TYPICAL DATA-NEMA NOM. EFF. 93.0 PCT.  
GUARANTEED MIN EFF 92.4 PCT

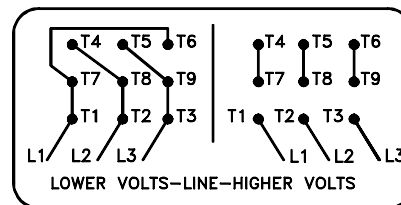
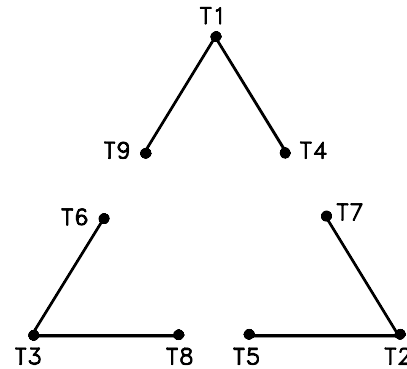
<b>BALDOR</b>	DR. BY P. B. GREENE	<b>A-C MOTOR</b>
	CK. BY K. W. KANOUFF	
	APP. BY K. W. KANOUFF	
DATE 08/11/89	<b>PERFORMANCE DATA</b>	A40WG0784-R001
		ISSUE DATE 08/11/89





416820-002

A-C MOTOR  
 CONNECTION DIAGRAM  
 STANDARD 9 LEAD DELTA-CONNECTED



(N.P. 1575-B)

416820-002

REV. DESC: LOADED TO BUS, C/R 335225		
REV. LTR: -	VERSION: 00	TDR: 000000538207
FILE: \MGA\00000\661	REVISED: 10:47:51 04/30/2010	
MTL: -	BY: RAGRA	

**BALDOR**

CONN DIAG - STANDARD 9 LEAD, DELTA-CONNECTED

SH 1 of 1

Marketing maintained PDF of MN408:

<http://www.baldor.com/support/Literature/Load.ashx/MN408?ManNumber=MN408>

Marketing maintained PDF of MN416:

<http://www.baldor.com/support/Literature/Load.ashx/MN416?ManNumber=MN416>