

BALDOR® • RELIANCE 

Product Information Packet

FDL3712TM

10HP,1725RPM,1PH,60HZ,215T,3750LC,TEFC,F

Part Detail							
Revision:	K	Status:	PRD/A	Change #:		Proprietary:	No
Type:	AC	Elec. Spec:	37WGT040	CD Diagram:	CD0152	Mfg Plant:	
Mech. Spec:	37N374	Layout:	37LYN374	Poles:	04	Created Date:	12-11-2013
Base:	RG	Eff. Date:	05-16-2016	Leads:	2#10 A PH,3#14 B&J		

Specs			
Catalog Number:	FDL3712TM	KVA Code:	G
Enclosure:	TEFC	Lifting Lugs:	Standard Lifting Lugs
Frame:	215T	Locked Bearing Indicator:	Locked Bearing
Frame Material:	Steel	Motor Lead Quantity/Wire Size:	2 @ 10 AWG, A PH
Output @ Frequency:	10.000 HP @ 60 HZ	Motor Lead Exit:	Cap Box
Synchronous Speed @ Frequency:	1800 RPM @ 60 HZ	Motor Lead Termination:	Flying Leads
Voltage @ Frequency:	230.0 V @ 60 HZ	Motor Type:	3750LC
XP Class and Group:	None	Mounting Arrangement:	F1
XP Division:	Not Applicable	Power Factor:	94
Agency Approvals:	UR	Product Family:	General Purpose
	CSA	Product Type:	FARM DUTY
Auxillary Box:	No Auxillary Box	Pulley End Bearing Type:	Sealed Bearing
Auxillary Box Lead Termination:	None	Pulley Face Code:	Standard
Base Indicator:	Rigid	Pulley Shaft Indicator:	Standard
Bearing Grease Type:	Polyrex EM (-20F +300F)	Rodent Screen:	None
Blower:	None	Shaft Extension Location:	Pulley End
Current @ Voltage:	40.000 A @ 230.0 V	Shaft Ground Indicator:	No Shaft Grounding
Design Code:	L	Shaft Rotation:	Reversible

Drip Cover:	No Drip Cover	Shaft Slinger Indicator:	Shaft Slinger
Duty Rating:	CONT	Speed Code:	Single Speed
Electrically Isolated Bearing:	Not Electrically Isolated	Motor Standards:	NEMA
Feedback Device:	NO FEEDBACK	Starting Method:	Direct on line
Front Face Code:	Standard	Thermal Device - Bearing:	NONE (OLD)
Front Shaft Indicator:	None	Thermal Device - Winding:	None
Heater Indicator:	No Heater	Vibration Sensor Indicator:	No Vibration Sensor
Insulation Class:	F	Winding Thermal 1:	Manual Thermal Overload
Inverter Code:	Not Inverter	Winding Thermal 1 Location:	KO
		Winding Thermal 2:	None

Nameplate NP1280L										
CAT.NO.	FDL3712TM									
SPEC.	37N374T040G1									
HP	10									
VOLTS	230									
AMP	40									
RPM	1725									
FRAME	215T			HZ	60		PH	1		
SER.F.	1.00		CODE	G	DES	L	CL	F		
NEMA-NOM-EFF	84		PF	94						
RATING	40C AMB-CONT									
CC							USABLE AT 208V			
DE	6307			ODE	6206					
ENCL	TEFC		SN							

Parts List		
Part Number	Description	Quantity
SA274236	SA 37N374T040G1	1.000 EA
RA260823	RA 37N374T040G1	1.000 EA
OC3050F09SP	CAPACITOR 50 MFD 370 VAC	2.000 EA
TPLED1011SP	THERMAL 1PH 1.5 MAN REF LED941 TDR #5817	1.000 EA
EC1216C06SP	ELEC CAP, 216-259 MFD, 250V, 2.06D X 4.	3.000 EA
HW3200A01	3/8-16X3/4 I-BLT WELDED F/S	1.000 EA
37CB3804A04	CAPAC BOX MACH	1.000 EA
37GS3015	GASKET, CAPAC BOX	1.000 EA
51XW2520A12	.25-20 X .75, TAPTITE II, HEX WSHR SLTD	4.000 EA
37CB4509	CAPAC BOX LID, STAMPED	1.000 EA
37GS3016	GASKET, CAPAC BOX LID	1.000 EA
51XW0832A07	8-32 X .44, TAPTITE II, HEX WSHR SLTD SE	6.000 EA
HA6003A47	CAPAC CLAMP	1.000 EA
HA6003A45	CAPAC CLAMP - CLIP (WHITE ZINC PLATED)	2.000 EA
51XB1016A07	10-16 X 7/16 HXWSSLD SERTYB	4.000 EA
HA2001A09	SPACER, .218 ID X .937 LG	2.000 EA
RM1015	BOOT FOR MANUAL THERMALS	1.000 EA
51XN1032A28	10-32 X 1 3/4 HX WS SL SR	2.000 EA
XY1032A02	10-32 HEX NUT DIRECTIONAL SERRATION	2.000 EA
HW1000A10	#10 FLAT WASHER (SAE)	2.000 EA
11XW1032G06	10-32 X .38, TAPTITE II, HEX WSHR SLTD U	1.000 EA
HW3001B01	BRASS CUP WASHER, FOR #10 SCREW	1.000 EA
37EP3101A04	FR ENDPLATE, MACH	1.000 EA
13XF0832A08	8-32 X.50 PAN HD,SLTD, TYPE F SCREW, ZIN	2.000 EA

Parts List (continued)		
Part Number	Description	Quantity
HW5100A06	W2420-025 WVY WSHR (WB)	1.000 EA
37PE3100B33	PUEP ASSEMBLY - ROUTING PUPROSES	1.000 EA
HW4600B51	SEAL 1.375 X 2.125 X 0.313 SINGLE LIP DB	1.000 EA
XY3118A12	5/16-18 HEX NUT DIRECTIONAL SERRATION	4.000 EA
36FN3004A02	EXFN XP PULLEY, ALUM, 7.38 OD, 1.379 ID	1.000 EA
80XN2520A06	1/4-20 X 3/8 SET SCREW	2.000 EA
07FH4007A33	IEC FAN CVR W/NOTCH FOR 37CB3804 CAPAC B	1.000 EA
51XW1032A06	10-32 X .38, TAPTITE II, HEX WSHR SLTD S	3.000 EA
HA1005A02	SLINGER, OD 2.00, ID 1.14, 206 BRG,	1.000 EA
37FH4001A06	WASHDOWN IEC FH	1.000 EA
51XW1032A06	10-32 X .38, TAPTITE II, HEX WSHR SLTD S	3.000 EA
HW2501F21	KEY, 5/16 SQ X 2.375	1.000 EA
HA7000A02	KEY RETAINER RING, 1 1/8 DIA, 1 3/8 DIA	1.000 EA
85XU0407S04	4X1/4 U DRIVE PIN STAINLESS	2.000 EA
LB1115N	LABEL,LIFTING DEVICE (ON ROLLS)	1.000 EA
LB1087	LABEL,MANUAL RESET (ROLL LABEL)	1.000 EA
MJ5001A27	32220KN GRAY SEALER *MIN BUY 4 QTS=1GAL	0.001 QT
MJ1000A02	GREASE, POLYREX EM EXXON (USe 4824-15A)	0.050 LB
37FN3002A01SP	EXFN, PLASTIC, 9.00 OD, 1.155 ID	1.000 EA
51XB1214A20	12-14X1.25 HXWSSLD SERTYB	1.000 EA
MG1025C02	WILKOFASG SG, 787.105, TAN	0.028 GA
HA3104A24	THRUBOLT- 5/16-18 X14.375 X	4.000 EA
TP5059	GENERIC THERMAL KIT	1.000 EA
SP5172A03	37 TYPE L TORQ STAT SWITCH LEAD ASSEMBLY	1.000 EA

Product Information Packet: FDL3712TM - 10HP,1725RPM,1PH,60HZ,215T,3750LC,TEFC,F

LD5000A24	LEAD ASSY, ML1400DF10 W/#10 RING 12"	1.000 EA
NS2539	INSULATOR FOR 37 FRAMESWITCH (MH1011A10)	1.000 EA
LC0002	CONNECTION LABEL	1.000 EA
LB1119N	WARNING LABEL	1.000 EA
MN416A01	TAG-INSTAL-MAINT no wire (1200/bx) 5/18	1.000 EA
NP1280L	ALUM FARM DUTY UL CSA CC THERMAL	1.000 EA
37PA1039	PALLET PACK GRP, PRINT PK1026A06	1.000 EA
FE-0000001	ZRTG FE ASSEMBLY	1.000 EA

AC Induction Motor Performance Data

Record # 46112 - Typical performance - not guaranteed values

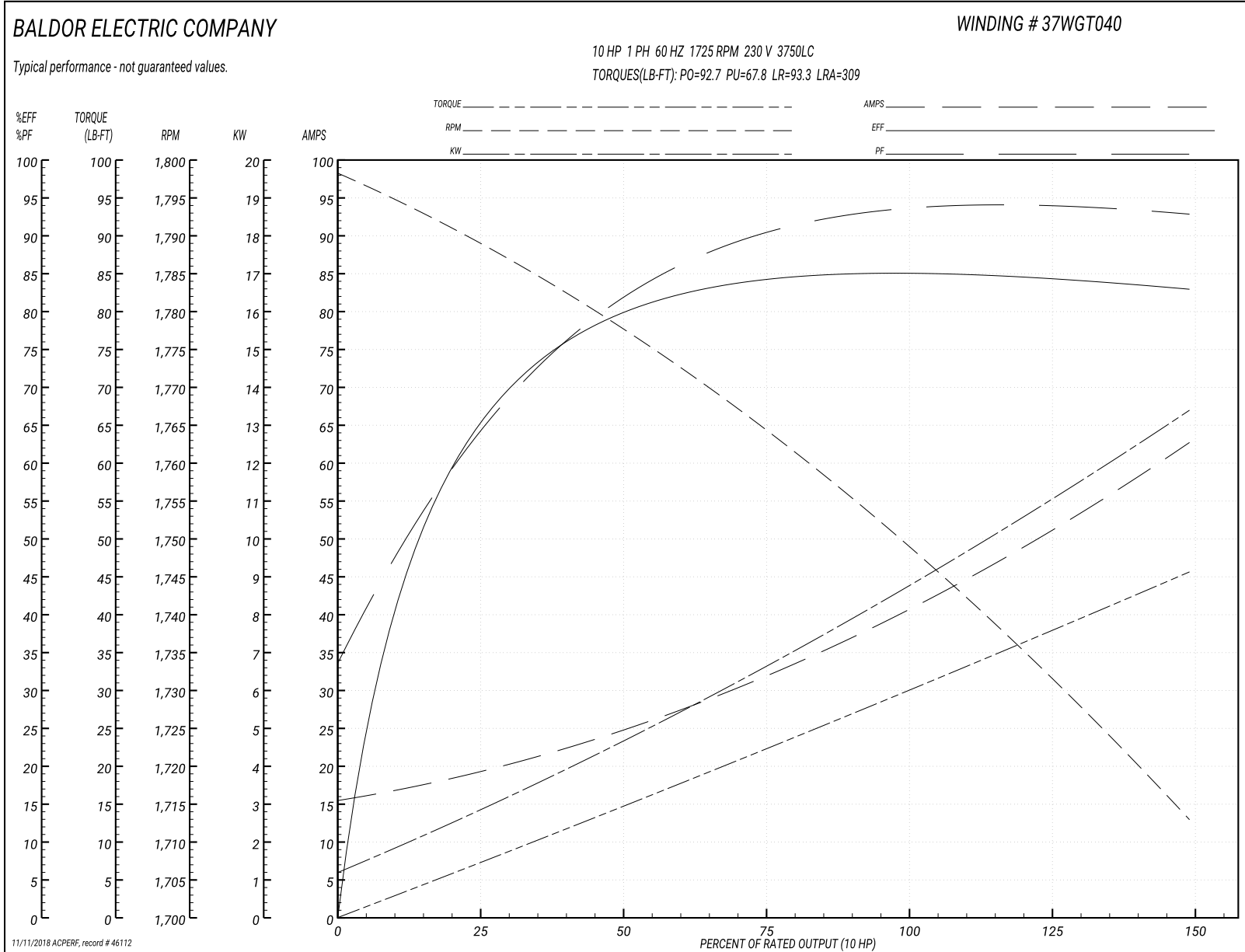
Winding: 37WGT040-R001	Type: 3750LC	Enclosure: TEFC
-------------------------------	---------------------	------------------------

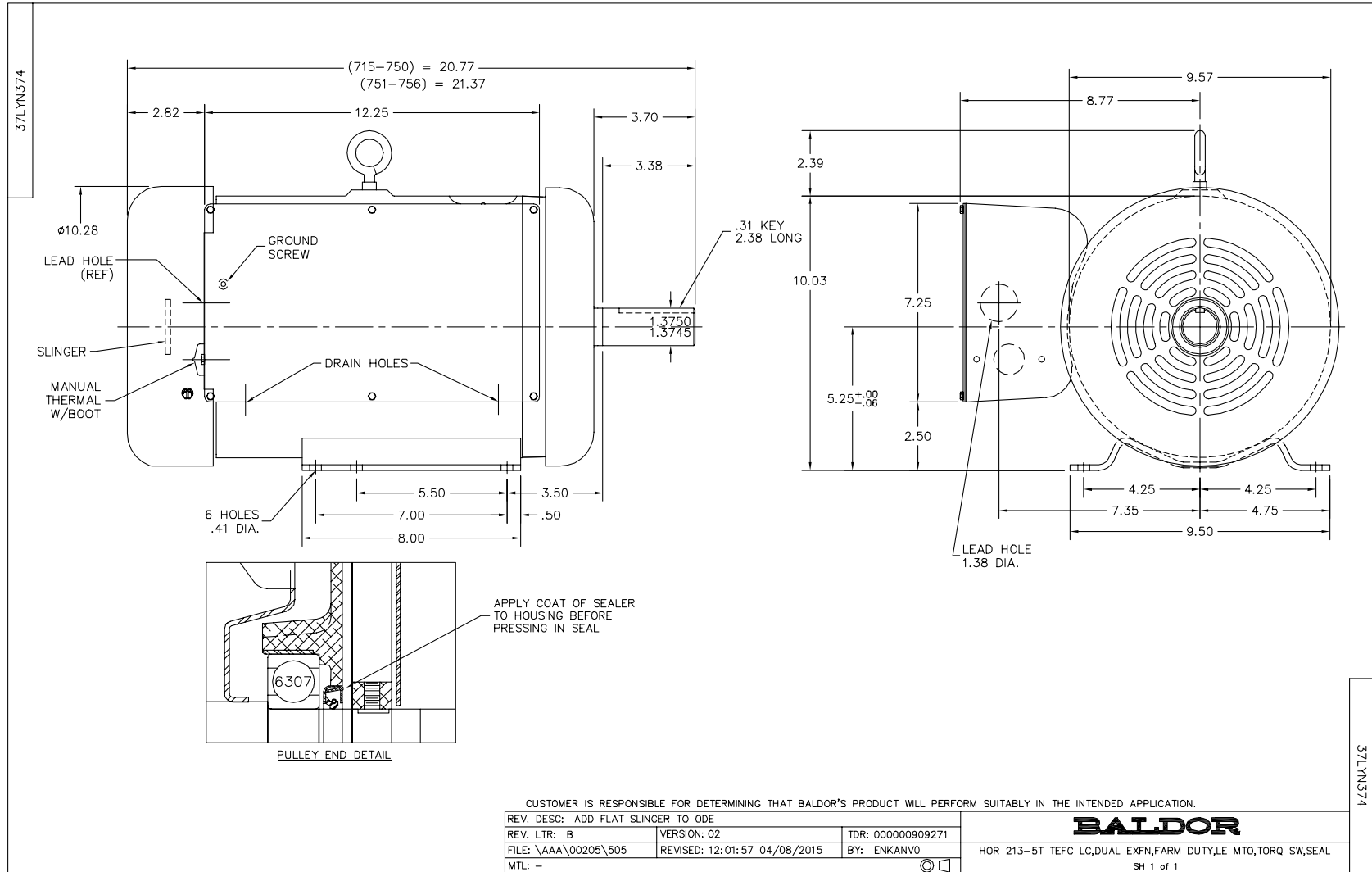
Nameplate Data				230 V, 60 Hz: Single Voltage Motor	
Rated Output (HP)	10			Full Load Torque	30.5 LB-FT
Volts	230			Start Configuration	direct on line
Full Load Amps	40			Breakdown Torque	92.7 LB-FT
R.P.M.	1725			Pull-up Torque	67.8 LB-FT
Hz	60	Phase	1	Locked-rotor Torque	93.3 LB-FT
NEMA Design Code	L	KVA Code	G	Starting Current	309 A
Service Factor (S.F.)	1			No-load Current	16 A
NEMA Nom. Eff.	84	Power Factor	94	Line-line Res. @ 25°C	0.20218 Ω A Ph 0.61074 Ω B Ph
Rating - Duty	40C AMB-CONT			Temp. Rise @ Rated Load	

Load Characteristics 230 V, 60 Hz, 10 HP

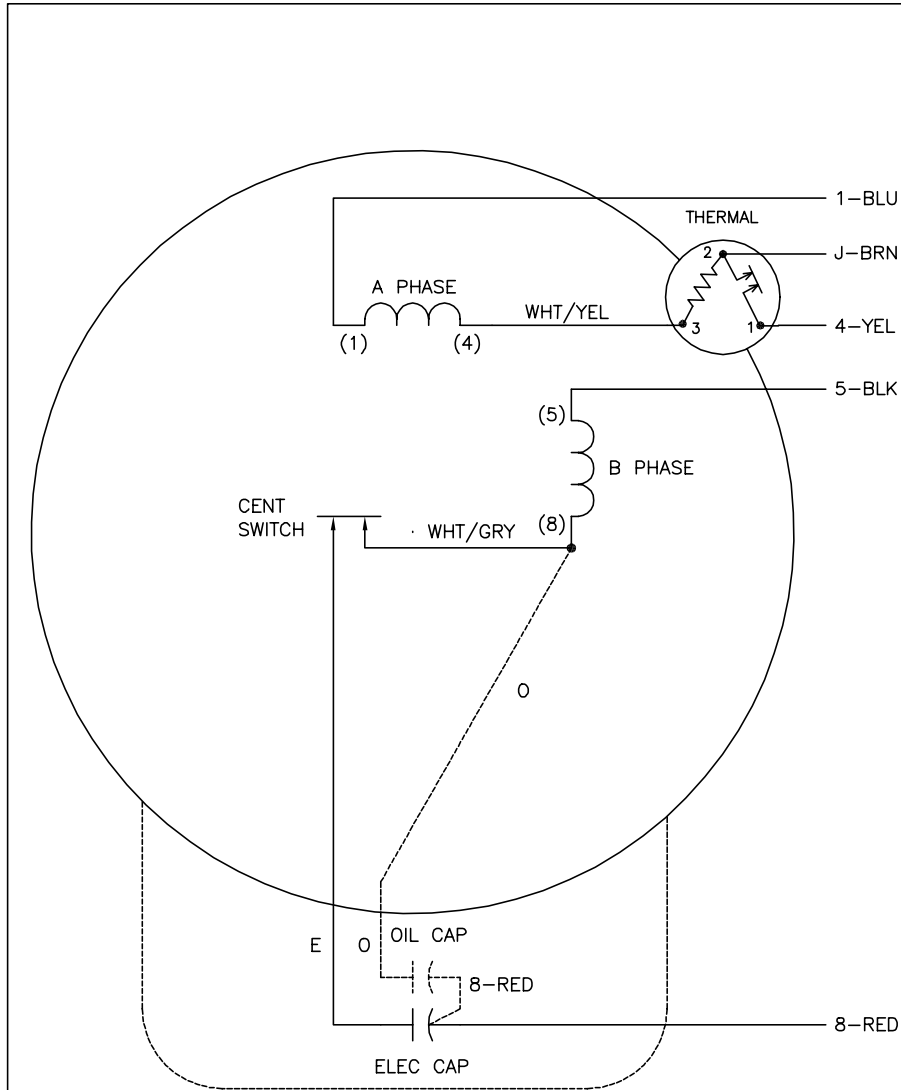
% of Rated Load	25	50	75	100	125	150
Power Factor	68	85	90	93	94	94
Efficiency	65.7	79.7	84.1	85.3	84.7	82.6
Speed	1788	1776	1763	1749	1732	1712
Line amperes	18.8	24.8	32.8	41.8	51.6	62.4

Performance Graph at 230V, 60Hz, 10.0HP Typical performance - Not guaranteed values





CD0152



	LINE A	LINE B	JOIN
STD	1,8	4	J,5
OPP	1,5	4	J,8

NOTES:

1. STANDARD ROTATION IS CCW FACING END OPPOSITE SHAFT EXTENSION.
2. MULTIPLE CAPACITORS ARE CONNECTED IN PARALLEL UNLESS OTHERWISE SPECIFIED.
3. OPTIONAL OIL CAPACITOR IS PROVIDED WHEN SPECIFIED.
4. CAPACITORS MAY BE SEPERATELY MOUNTED.
5. LEAD COLORS ARE OPTIONAL. LEADS MUST ALWAYS BE NUMBERED AS SHOWN.

REV. DESC: REMOVE OPTIONAL THERMAL CONNECTION		
REV. LTR: D	VERSION: 01	TDR: 000000373039
ZS1000	FILE: \AAA\00026\903	REVISED: 11:23:45 08/11/2005
	MTL: -	BY: ENJOEPO

BALDOR ELECTRIC Co.

TYPE L OR LC, SV, REV, 5 LDS, THERM, CAPS MAY BE SEP MTD

CD0152