

BALDOR® • RELIANCE 

Product Information Packet

FPM2514T

20//15HP,3460//2900RPM,3PH,60//50HZ,254T

Part Detail							
Revision:	G	Status:	PRD/A	Change #:		Proprietary:	No
Type:	AC	Elec. Spec:	37WGR893	CD Diagram:	CD0104	Mfg Plant:	
Mech. Spec:	37N756	Layout:	37LYN756	Poles:	02	Created Date:	09-23-2015
Base:	RG	Eff. Date:	08-22-2018	Leads:	12#12		

Specs			
Catalog Number:	FPM2514T	Front Face Code:	Standard
Enclosure:	OPSB	Front Shaft Indicator:	None
Frame:	254T	Heater Indicator:	No Heater
Frame Material:	Steel	Insulation Class:	F
Output @ Frequency:	20.000 HP @ 60 HZ	Inverter Code:	Inverter Ready
	15.000 HP @ 50 HZ	KVA Code:	G
Synchronous Speed @ Frequency:	3600 RPM @ 60 HZ	Lifting Lugs:	Standard Lifting Lugs
Voltage @ Frequency:	230.0 V @ 60 HZ	Locked Bearing Indicator:	No Locked Bearing
	190.0 V @ 50 HZ	Motor Lead Quantity/Wire Size:	12 @ 12 AWG
	460.0 V @ 60 HZ	Motor Lead Exit:	Ko Box
	380.0 V @ 50 HZ	Motor Lead Termination:	Flying Leads
XP Class and Group:	None	Motor Type:	3742M
XP Division:	Not Applicable	Mounting Arrangement:	F1
Agency Approvals:	UR	Power Factor:	90
	UL	Product Family:	General Purpose
	CSA EEV	Pulley End Bearing Type:	Ball
	CSA	Pulley Face Code:	Standard
Auxillary Box:	No Auxillary Box	Pulley Shaft Indicator:	Standard

Auxillary Box Lead Termination:	None	Rodent Screen:	None
Base Indicator:	Rigid	RoHS Status:	ROHS COMPLIANT
Bearing Grease Type:	Polyrex EM (-20F +300F)	Shaft Extension Location:	Pulley End
Blower:	None	Shaft Ground Indicator:	No Shaft Grounding
Current @ Voltage:	46.000 A @ 230.0 V	Shaft Rotation:	Reversible
	42.000 A @ 190.0 V	Shaft Slinger Indicator:	No Slinger
	23.000 A @ 460.0 V	Speed Code:	Single Speed
	21.000 A @ 380.0 V	Motor Standards:	NEMA
Design Code:	B	Starting Method:	Wye Start - Delta Run
Drip Cover:	No Drip Cover	Thermal Device - Bearing:	None
Duty Rating:	CONT	Thermal Device - Winding:	None
Electrically Isolated Bearing:	Not Electrically Isolated	Vibration Sensor Indicator:	No Vibration Sensor
Feedback Device:	NO FEEDBACK	Winding Thermal 1:	None
		Winding Thermal 2:	None

Nameplate NP3454L

CAT.NO.	FPM2514T		CUST P/N			I.P.	23				
SPEC.	37N756R893H2		SER.NO.			FRAME	254T				
HZ	60	HP	20	RPM	3450	HZ	50	HP	15	RPM	2860
VOLTS	230/460		CODE	G		VOLTS	190/380		CODE	G	
AMPS	46/23		DES	B		AMPS	42/21		DES	B	
EFF	90.2	SER.F.	1.15	PF	90	EFF	89.5	SER.F.	1.15	PF	90
RATING	40C AMB-CONT		DE BRG	6309		GREASE	POLYREX EM				
BLANK			ODE BRG	6206		MTR. WT.	145				
			CLASS	F		PH	3				
			ENCL	OPSB		CC	010A				
HTR-VOLTS		HTR-AMPS		HTR-WATTS							

Parts List		
Part Number	Description	Quantity
SA307959	SA 37N756R893H2	1.000 EA
RA295279	RA 37N756R893H2	1.000 EA
HA6361A01	LIFTING LUG FOR 37, 39 & 40 FRAME ZINC	2.000 EA
09CB3002SP	CB W/1.38 LEAD HOLE FOR 37, 39, 307 & 30	1.000 EA
HA6429	KO BOX ADAPTER REXITE	1.000 EA
19XW2520A16	SCREW,1/4-20X1 TAPTITE-II OR ROLOC 91	2.000 EA
59XW2520G07	.25-20X.44,HEX SER WSHR,TAPTITE 2,GREEN	1.000 EA
WD1000B16	T&B CX70TN TERMINAL	1.000 EA
37EP3203A00	MASTER,ODE,206 BRG,GREASER	1.000 EA
HW4500A01	1641B(ALEMITE)400 UNIV, GREASE FITT	1.000 EA
HW5100A06	W2420-025 WVY WSHR (WB)	1.000 EA
37EP3202A01	STD PULLEY EP MODEL 37 OPEN 309 BRG	1.000 EA
HW4500A01	1641B(ALEMITE)400 UNIV, GREASE FITT	1.000 EA
XY3118A12	5/16-18 HEX NUT DIRECTIONAL SERRATION	4.000 EA
09CB3501SP	CONDUIT BOX LID FOR 09CB3001 & 09CB3002	1.000 EA
51XW2520A10	.25-20 X .62, TAPTITE II, HEX WSHR SLTD	2.000 EA
HW2501G25	KEY, 3/8 SQ X 2.875	1.000 EA
85XU0407S04	4X1/4 U DRIVE PIN STAINLESS	4.000 EA
LB1115N	LABEL,LIFTING DEVICE (ON ROLLS)	1.000 EA
MJ1000A02	GREASE, POLYREX EM EXXON (USe 4824-15A)	0.050 LB
MG1025R44	WILKOFAS, 784.109, CARMINE RED #3002	0.028 GA
HA3104A52	THRUBOLT, .31-18 X 17.000	4.000 EA
37AD2001C01	BAFFLE PLATE, PLASTIC 1.56" WIDTH	2.000 EA
LB1119N	WARNING LABEL	1.000 EA

Parts List (continued)		
Part Number	Description	Quantity
LC0104A01	CONNECTION DIAGRAM	1.000 EA
NP3454L	ALUM FIRE PUMP MOTOR(LEGACY/BALDOR ONLY)	1.000 EA
37PA1039	PALLET PACK GRP, PRINT PK1026A06	1.000 EA
MN416A01	TAG-INSTAL-MAINT no wire (1200/bx) 5/18	1.000 EA
LB1417	LABEL CARTON 6X4 PERFORATED BLANK ROLLS	1.000 EA
FE-0000001	ZRTG FE ASSEMBLY	1.000 EA

AC Induction Motor Performance Data

Record # 54579 - Typical performance - not guaranteed values

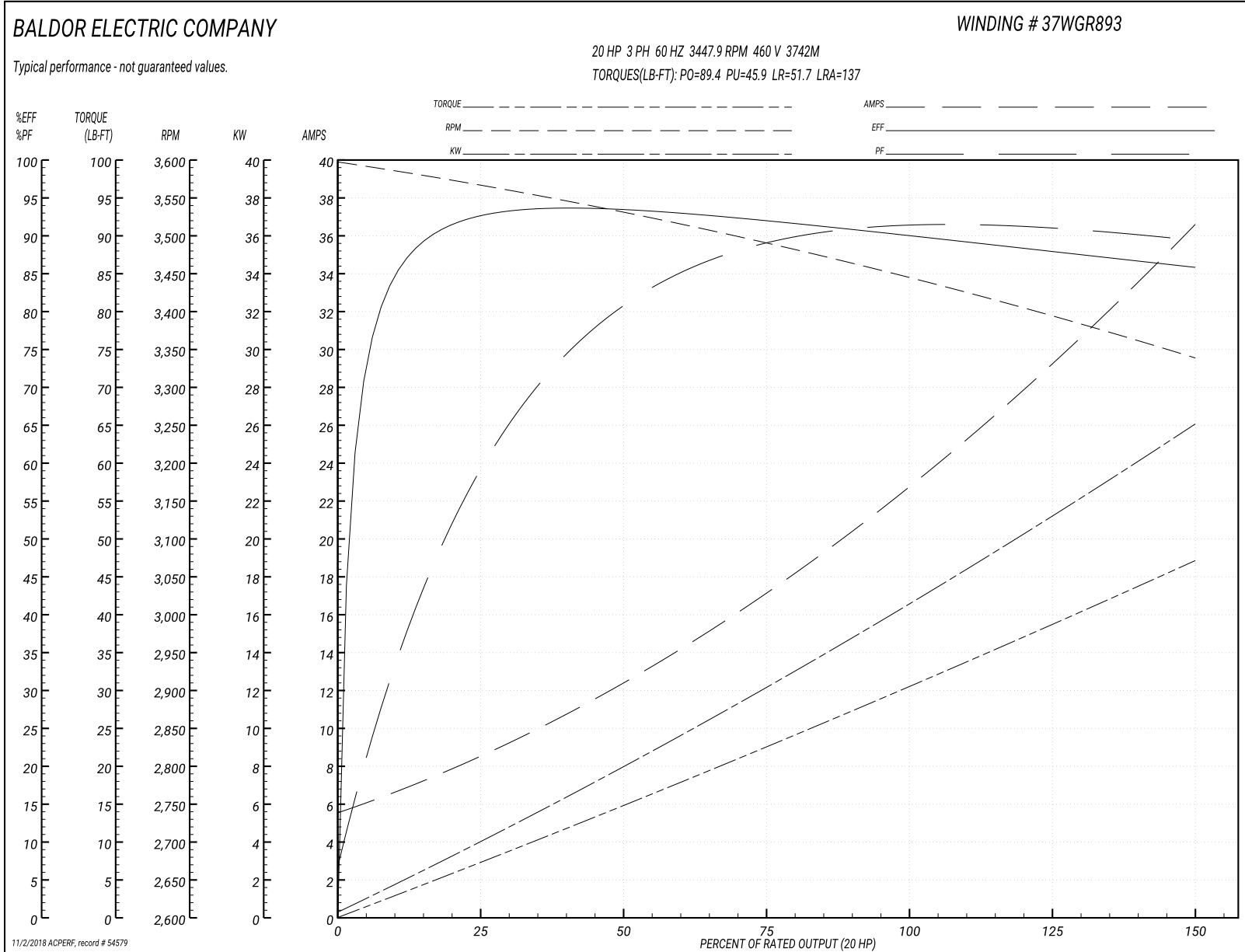
Winding: 37WGR893-R001	Type: 3742M	Enclosure: OPSB
-------------------------------	--------------------	------------------------

Nameplate Data				460 V, 60 Hz: High Voltage Connection	
Rated Output (HP)	20//15			Full Load Torque	30.3 LB-FT
Volts	230/460//190/380			Start Configuration	direct on line
Full Load Amps	46/23//42/21			Breakdown Torque	89.4 LB-FT
R.P.M.	3450//2860			Pull-up Torque	45.9 LB-FT
Hz	60//50	Phase	3	Locked-rotor Torque	51.7 LB-FT
NEMA Design Code	B	KVA Code	G	Starting Current	137 A
Service Factor (S.F.)	1.15			No-load Current	5.92 A
NEMA Nom. Eff.	90.2	Power Factor	90	Line-line Res. @ 25°C	0.53993 Ω
Rating - Duty	40C AMB-CONT			Temp. Rise @ Rated Load	67°C
S.F. Amps				Temp. Rise @ S.F. Load	89°C

Load Characteristics 460 V, 60 Hz, 20 HP

% of Rated Load	25	50	75	100	125	150	S.F.
Power Factor	65	83	88	90	91	90	91
Efficiency	91.9	93	92	90.4	88.2	85.7	89.1
Speed	3565	3528.9	3490.7	3447.9	3395.3	3337.8	3416
Line amperes	8.05	12.3	17.3	22.9	29.3	36.4	26.7

Performance Graph at 460V, 60Hz, 20.0HP Typical performance - Not guaranteed values



AC Induction Motor Performance Data

Record # 54580 - Typical performance - not guaranteed values

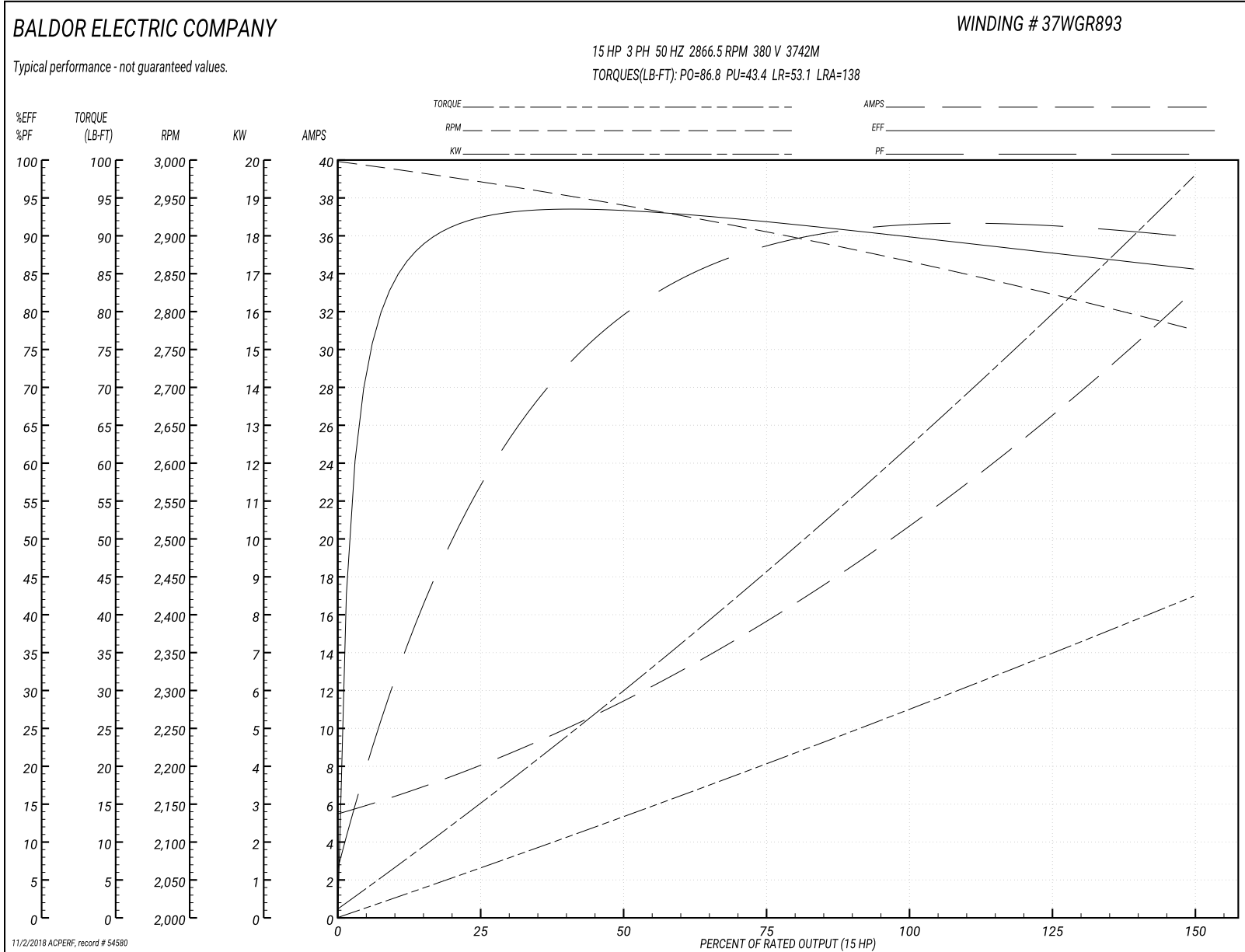
Winding: 37WGR893-R001	Type: 3742M	Enclosure: OPSB
-------------------------------	--------------------	------------------------

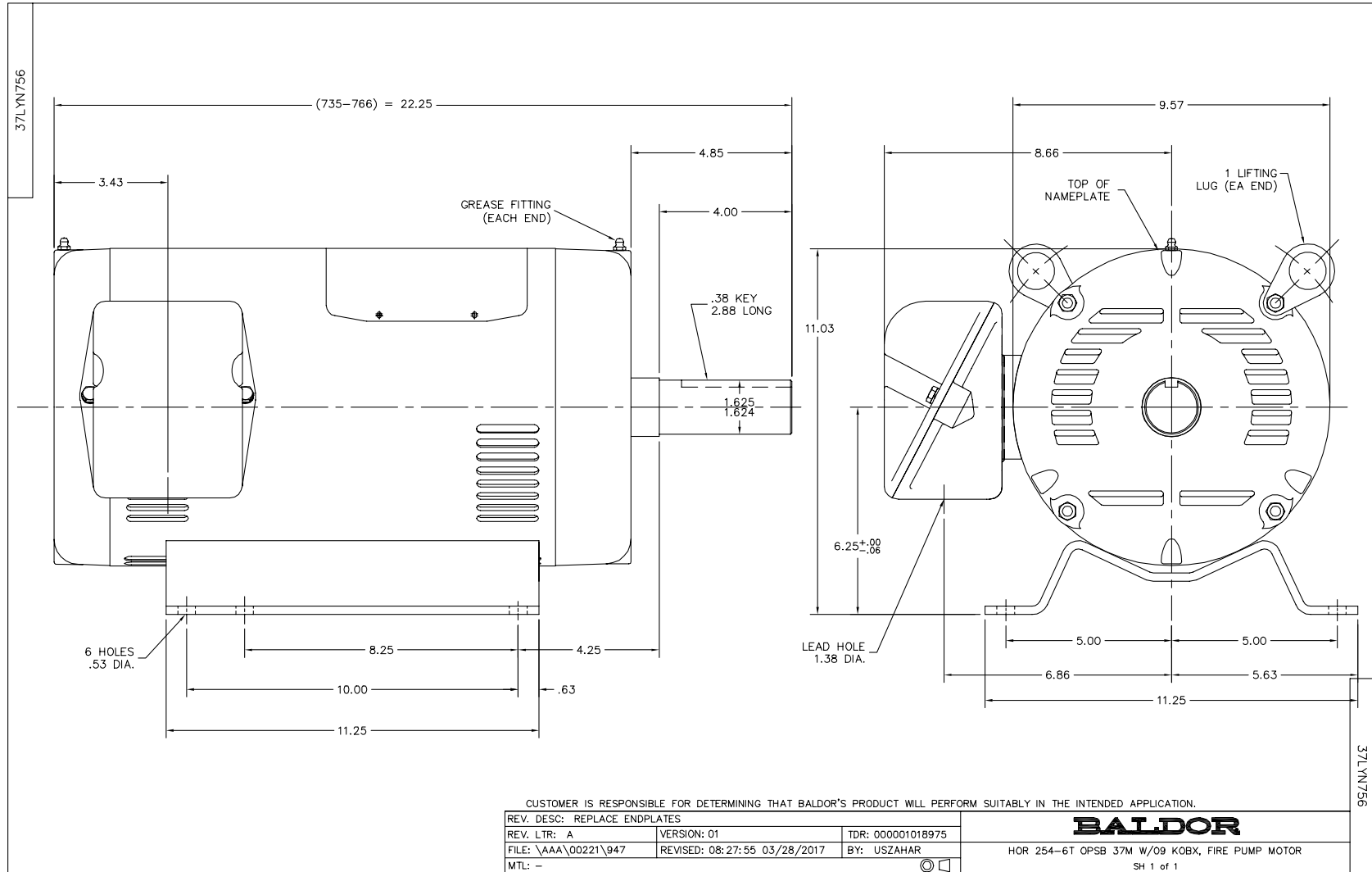
Nameplate Data				380 V, 50 Hz: High Voltage Connection	
Rated Output (HP)	20//15			Full Load Torque	27.5 LB-FT
Volts	230/460//190/380			Start Configuration	direct on line
Full Load Amps	46/23//42/21			Breakdown Torque	86.8 LB-FT
R.P.M.	3450//2860			Pull-up Torque	43.4 LB-FT
Hz	60//50	Phase	3	Locked-rotor Torque	53.1 LB-FT
NEMA Design Code	B	KVA Code	G	Starting Current	138 A
Service Factor (S.F.)	1.15			No-load Current	5.84 A
NEMA Nom. Eff.	90.2	Power Factor	90	Line-line Res. @ 25°C	0.53993 Ω
Rating - Duty	40C AMB-CONT			Temp. Rise @ Rated Load	60°C
S.F. Amps				Temp. Rise @ S.F. Load	79°C

Load Characteristics 380 V, 50 Hz, 15 HP

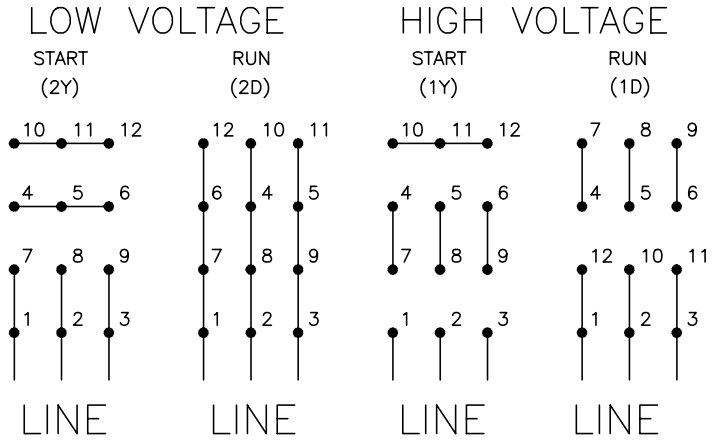
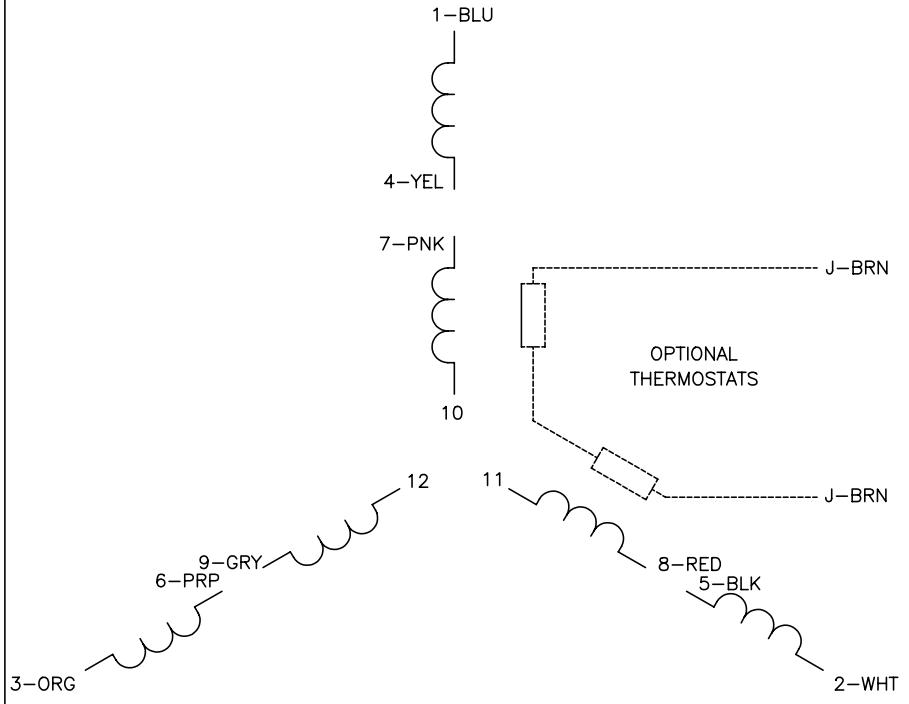
% of Rated Load	25	50	75	100	125	150	S.F.
Power Factor	63	82	88	90	91	90	91
Efficiency	91.7	92.8	91.8	90.1	88	85.5	88.8
Speed	2969.1	2938.6	2904.4	2866.5	2823	2775.5	2840
Line amperes	7.67	11.4	16	20.9	26.7	32.9	24.4

Performance Graph at 380V, 50Hz, 15.0HP Typical performance - Not guaranteed values





CD0104



- NOTES:
1. INTERCHANGE ANY TWO LINE LEADS TO REVERSE ROTATION.
 2. OPTIONAL THERMOSTATS ARE PROVIDED WHEN SPECIFIED.
 3. ACTUAL NUMBER OF INTERNAL PARALLEL CIRCUITS MAY BE A MULTIPLE OF THOSE SHOWN ABOVE.
 4. LEAD COLORS ARE OPTIONAL. LEADS MUST ALWAYS BE NUMBERED AS SHOWN.

REV. DESC: REVISE TO SHOW OPTIONAL COLORS			
REV. LTR: C	BY: JLP	REVISED: 01/19/99 4:24	TDR: 0171435
CD0104		FILE: AAA00008377	MDL: -
		MTL: -	

BALDOR ELECTRIC Co.

3PH, DV, 12 LEADS, Y START/D RUN

CD0104