

BALDOR® • RELIANCE 

Product Information Packet

FPM2516T

25//20HP,3515//2920RPM,3PH,60//50HZ,256T

Part Detail							
Revision:	K	Status:	PRD/A	Change #:		Proprietary:	No
Type:	AC	Elec. Spec:	39WGX927	CD Diagram:	CD0104	Mfg Plant:	
Mech. Spec:	39D101	Layout:	39LYD101	Poles:	02	Created Date:	09-15-2015
Base:	RG	Eff. Date:	08-22-2018	Leads:	12#10		

Specs			
Catalog Number:	FPM2516T	Front Face Code:	Standard
Enclosure:	ODP	Front Shaft Indicator:	None
Frame:	256T	Heater Indicator:	No Heater
Frame Material:	Steel	Insulation Class:	F
Output @ Frequency:	25.000 HP @ 60 HZ	Inverter Code:	Not Inverter
	20.000 HP @ 50 HZ	KVA Code:	F
Synchronous Speed @ Frequency:	3600 RPM @ 60 HZ	Lifting Lugs:	Standard Lifting Lugs
Voltage @ Frequency:	380.0 V @ 50 HZ	Locked Bearing Indicator:	No Locked Bearing
	460.0 V @ 60 HZ	Motor Lead Quantity/Wire Size:	12 @ 10 AWG
	190.0 V @ 50 HZ	Motor Lead Exit:	Ko Box
	230.0 V @ 60 HZ	Motor Lead Termination:	Flying Leads
XP Class and Group:	None	Motor Type:	3934M
XP Division:	Not Applicable	Mounting Arrangement:	F1
Agency Approvals:	UR	Power Factor:	88
	UL	Product Family:	Fire Pump Motor
	CSA EEV	Pulley End Bearing Type:	Ball
	CSA	Pulley Face Code:	Standard
Auxillary Box:	No Auxillary Box	Pulley Shaft Indicator:	Standard

Auxillary Box Lead Termination:	None	Rodent Screen:	None
Base Indicator:	Rigid	Shaft Extension Location:	Pulley End
Bearing Grease Type:	Polyrex EM (-20F +300F)	Shaft Ground Indicator:	No Shaft Grounding
Blower:	None	Shaft Rotation:	Reversible
Current @ Voltage:	58.000 A @ 230.0 V	Shaft Slinger Indicator:	No Slinger
	56.000 A @ 190.0 V	Speed Code:	Single Speed
	29.000 A @ 460.0 V	Motor Standards:	NEMA
	28.000 A @ 380.0 V	Starting Method:	Wye Start - Delta Run
Design Code:	B	Thermal Device - Bearing:	None
Drip Cover:	No Drip Cover	Thermal Device - Winding:	None
Duty Rating:	CONT	Vibration Sensor Indicator:	No Vibration Sensor
Electrically Isolated Bearing:	Not Electrically Isolated	Winding Thermal 1:	None
Feedback Device:	NO FEEDBACK	Winding Thermal 2:	None

Nameplate NP3454L											
CAT.NO.	FPM2516T			CUST P/N				I.P.	23		
SPEC.	39D101X927H2			SER.NO.				FRAME	256T		
HZ	60	HP	25	RPM	3515	HZ	50	HP	20	RPM	2920
VOLTS	230/460			CODE	F	VOLTS	190/380			CODE	F
AMPS	58/29			DES	B	AMPS	56/28			DES	B
EFF	91	SER.F.	1.15	PF	88	EFF	90.2	SER.F.	1.15	PF	88
RATING	40C AMB-CONT			DE BRG	6309			GREASE	POLYREX EM		
BLANK				ODE BRG	6208			MTR. WT.	210		
				CLASS	F						
				ENCL	ODP						
								PH	3		
								CC	010A		
HTR-VOLTS		HTR-AMPS		HTR-WATTS							

Parts List		
Part Number	Description	Quantity
SA307338	SA 39D101X927H2	1.000 EA
RA294639	RA 39D101X927H2	1.000 EA
HA6361A01	LIFTING LUG FOR 37, 39 & 40 FRAME ZINC	2.000 EA
HA6016	ADAPTER, CAST CONDUIT BOX	1.000 EA
09CB3002SP	CB W/1.38 LEAD HOLE FOR 37, 39, 307 & 30	1.000 EA
51XW2520A12	.25-20 X .75, TAPTITE II, HEX WSHR SLTD	2.000 EA
HW1001A25	LOCKWASHER 1/4, ZINC PLT .493 OD, .255 I	2.000 EA
WD1000B16	T&B CX70TN TERMINAL	1.000 EA
59XW2520G07	.25-20X.44,HEX SER WSHR,TAPTITE 2,GREEN	1.000 EA
39EP3200A01SP	FR/PU ENDPLATE, MACH	1.000 EA
HW5100A08	W3118-035 WVY WSHR (WB)	1.000 EA
39EP3201A13	PU ENDPLATE, MACH	1.000 EA
XY3816A12	3/8-16 FINISHED NUT	8.000 EA
09CB3501SP	CONDUIT BOX LID FOR 09CB3001 & 09CB3002	1.000 EA
51XW2520A12	.25-20 X .75, TAPTITE II, HEX WSHR SLTD	2.000 EA
HW2501G25	KEY, 3/8 SQ X 2.875	1.000 EA
LB1115N	LABEL,LIFTING DEVICE (ON ROLLS)	1.000 EA
HW4500A03	GREASE FITTING, .125 NPT 1610(ALEMITE) 8	1.000 EA
HW4500A20	1/8NPT SL PIPE PLUG	1.000 EA
HA4051A00	PLASTIC CAP FOR GREASE FITTING	1.000 EA
MG1025R44	WILKOFAS, 784.109, CARMINE RED #3002	0.050 GA
MJ1000A02	GREASE, POLYREX EM EXXON (USe 4824-15A)	0.030 LB
HW4500A03	GREASE FITTING, .125 NPT 1610(ALEMITE) 8	1.000 EA
HW4500A20	1/8NPT SL PIPE PLUG	1.000 EA

Parts List (continued)		
Part Number	Description	Quantity
HA4051A00	PLASTIC CAP FOR GREASE FITTING	1.000 EA
85XU0407S04	4X1/4 U DRIVE PIN STAINLESS	2.000 EA
HA3154A09	TB STUD 3/8-16 X 16.25	4.000 EA
39AD2002B01	BAFFLE PLATE 39 OPEN, SLOTTED BAND MTRS	1.000 EA
39AD2002B01	BAFFLE PLATE 39 OPEN, SLOTTED BAND MTRS	1.000 EA
LB1119N	WARNING LABEL	1.000 EA
LC0104A01	CONNECTION DIAGRAM	1.000 EA
NP3454L	ALUM FIRE PUMP MOTOR(LEGACY/BALDOR ONLY)	1.000 EA
39PA1000	PACKAGING GROUP 39 PRINT	1.000 EA
MN416A01	TAG-INSTAL-MAINT no wire (1200/bx) 5/18	1.000 EA

AC Induction Motor Performance Data

Record # 53766 - Typical performance - not guaranteed values

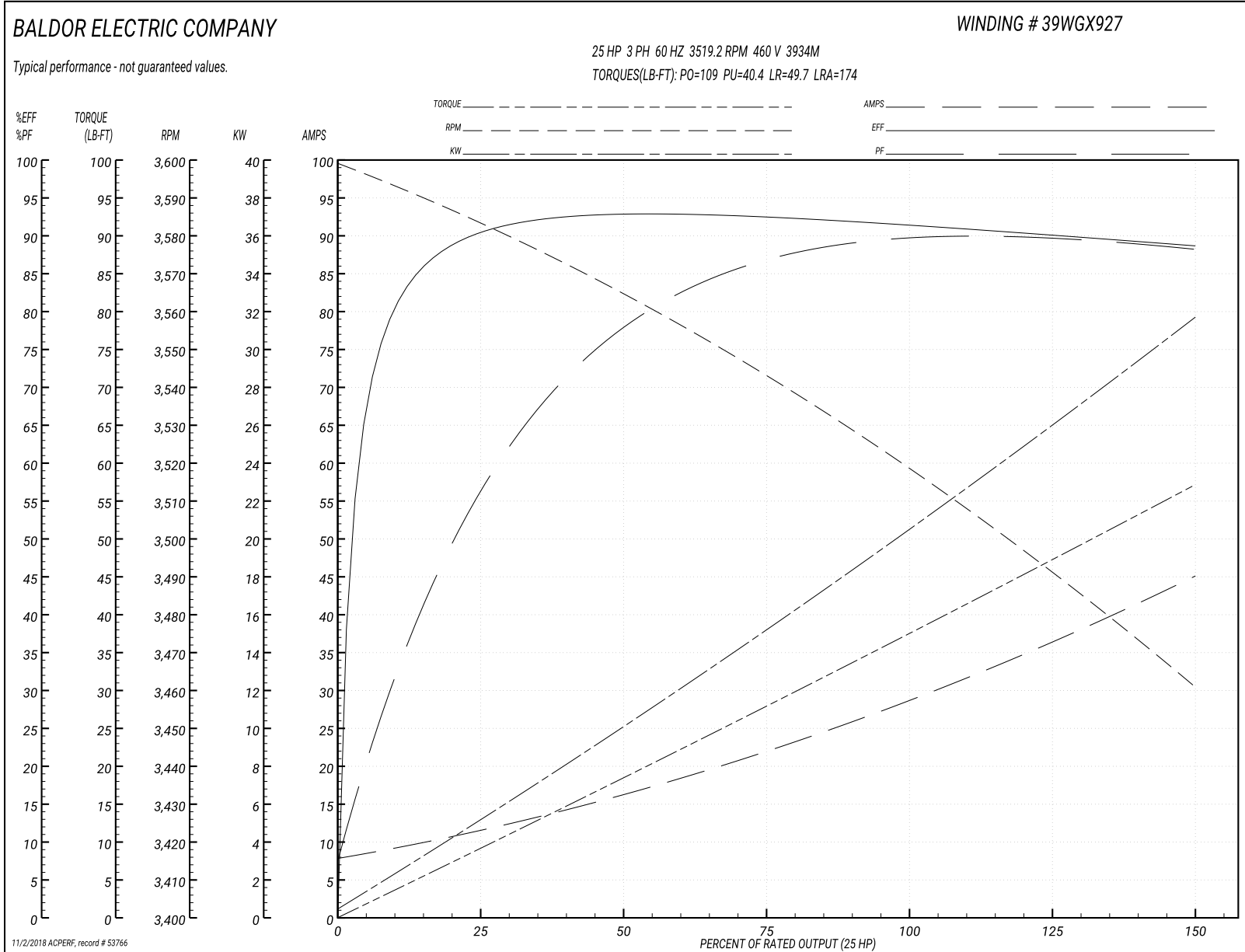
Winding: 39WGX927-R001	Type: 3934M	Enclosure: OPSB
-------------------------------	--------------------	------------------------

Nameplate Data				460 V, 60 Hz: High Voltage Connection	
Rated Output (HP)	25//20			Full Load Torque	37.5 LB-FT
Volts	230/460//190/380			Start Configuration	direct on line
Full Load Amps	58/29//56/28			Breakdown Torque	109 LB-FT
R.P.M.	3515//2920			Pull-up Torque	40.4 LB-FT
Hz	60//50	Phase	3	Locked-rotor Torque	49.7 LB-FT
NEMA Design Code	B	KVA Code	F	Starting Current	174 A
Service Factor (S.F.)	1.15			No-load Current	8.31 A
NEMA Nom. Eff.	91	Power Factor	88	Line-line Res. @ 25°C	0.45684 Ω
Rating - Duty	40C AMB-CONT			Temp. Rise @ Rated Load	40°C
S.F. Amps				Temp. Rise @ S.F. Load	51°C

Load Characteristics 460 V, 60 Hz, 25 HP

% of Rated Load	25	50	75	100	125	150	S.F.
Power Factor	60	79	86	88	89	89	89
Efficiency	90.2	92.7	92.6	91.7	90.3	88.6	90.9
Speed	3583.9	3564.3	3542.5	3519.2	3491.2	3460.7	3502
Line amperes	11	15.9	22.2	29	36.7	44.8	33.6

Performance Graph at 460V, 60Hz, 25.0HP Typical performance - Not guaranteed values



AC Induction Motor Performance Data

Record # 53767 - Typical performance - not guaranteed values

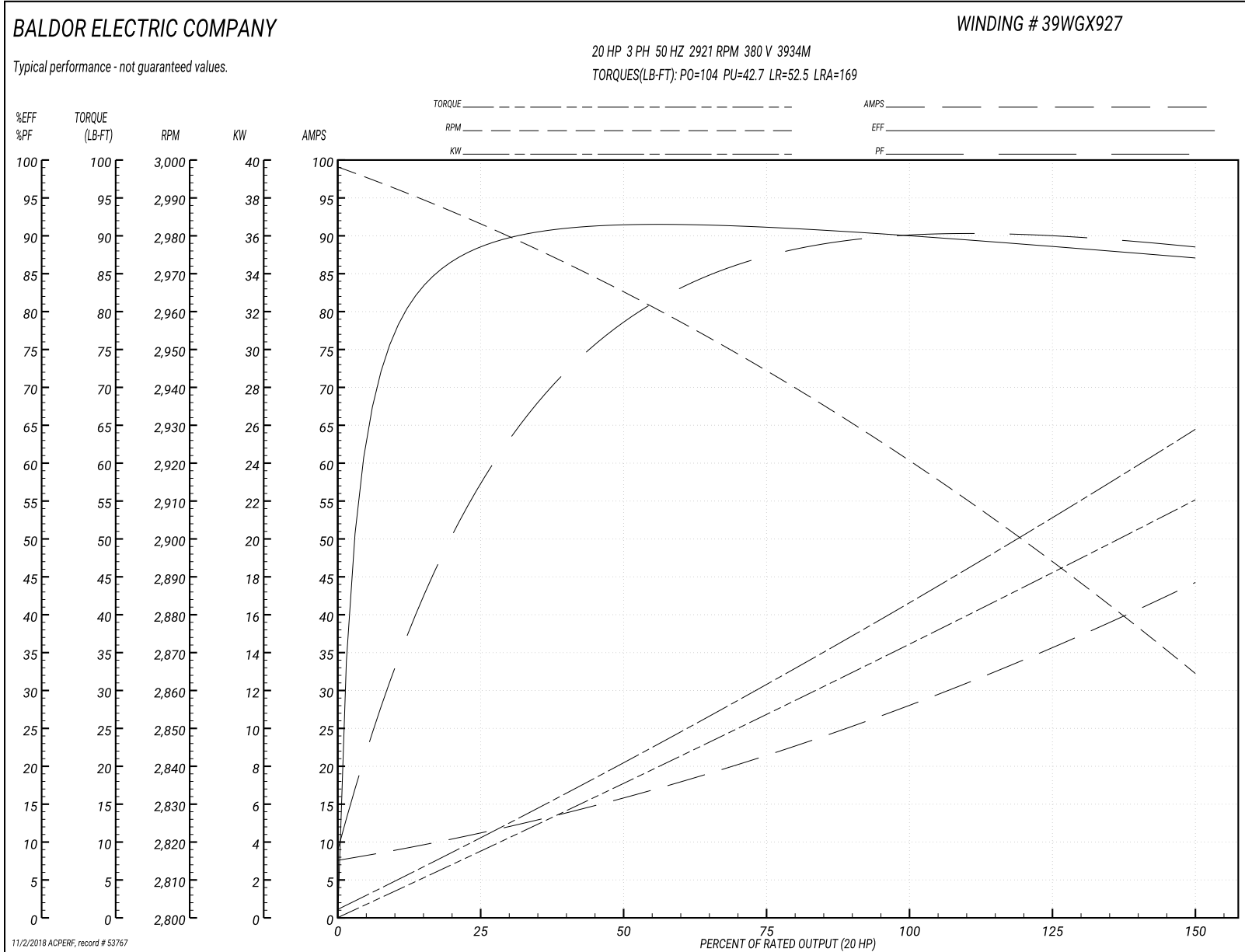
Winding: 39WGX927-R001	Type: 3934M	Enclosure: OPSB
-------------------------------	--------------------	------------------------

Nameplate Data				380 V, 50 Hz: High Voltage Connection	
Rated Output (HP)	25//20			Full Load Torque	36.2 LB-FT
Volts	230/460//190/380			Start Configuration	direct on line
Full Load Amps	58/29//56/28			Breakdown Torque	104 LB-FT
R.P.M.	3515//2920			Pull-up Torque	42.7 LB-FT
Hz	60//50	Phase	3	Locked-rotor Torque	52.5 LB-FT
NEMA Design Code	B	KVA Code	F	Starting Current	169 A
Service Factor (S.F.)	1.15			No-load Current	8.02 A
NEMA Nom. Eff.	91	Power Factor	88	Line-line Res. @ 25°C	0.438 Ω
Rating - Duty	40C AMB-CONT			Temp. Rise @ Rated Load	40°C
S.F. Amps				Temp. Rise @ S.F. Load	51°C
				Locked-rotor Power Factor	33.9
				Rotor inertia	0.868 LB-FT ²

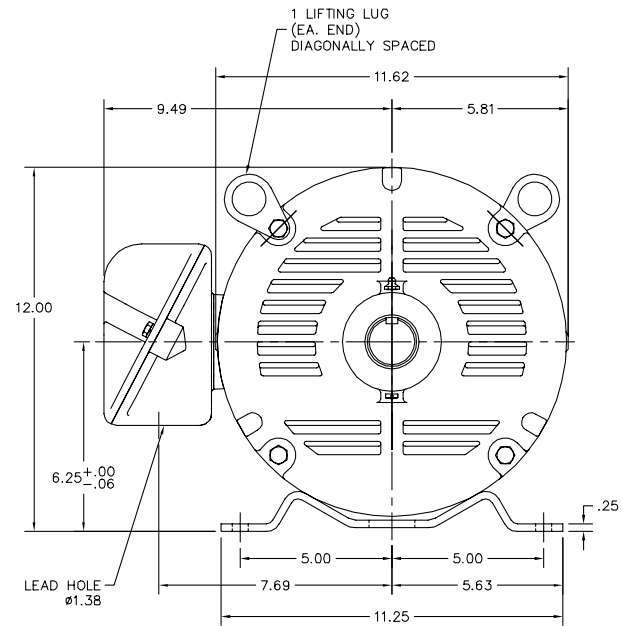
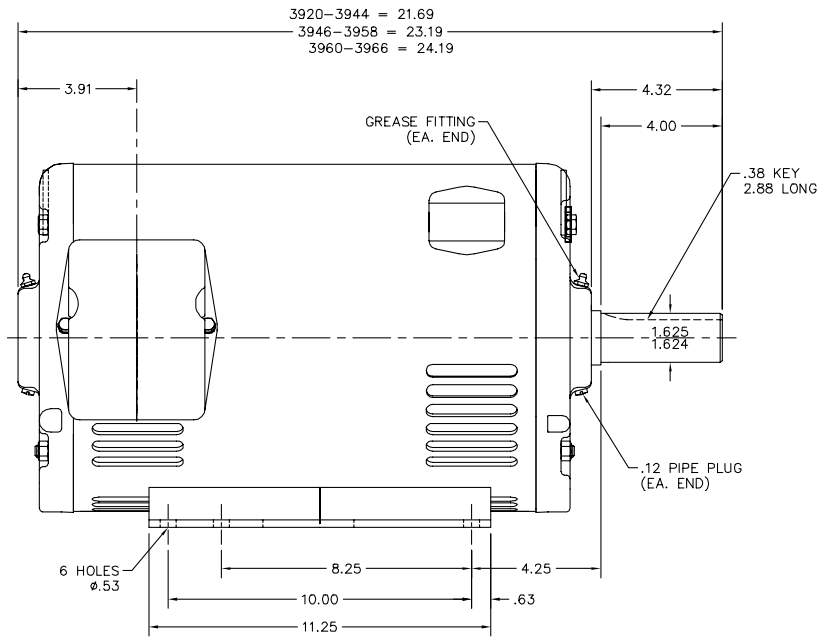
Load Characteristics 380 V, 50 Hz, 20 HP

% of Rated Load	25	50	75	100	125	150	S.F.
Power Factor	61	80	86	89	89	89	89
Efficiency	88	90.9	91.1	90.3	88.8	86.9	90.9
Speed	2984	2964	2944	2921	2894	2864	3502
Line amperes	10.7	15.5	21.7	28.4	36	44	33.6

Performance Graph at 380V, 50Hz, 20.0HP Typical performance - Not guaranteed values



39LYD101



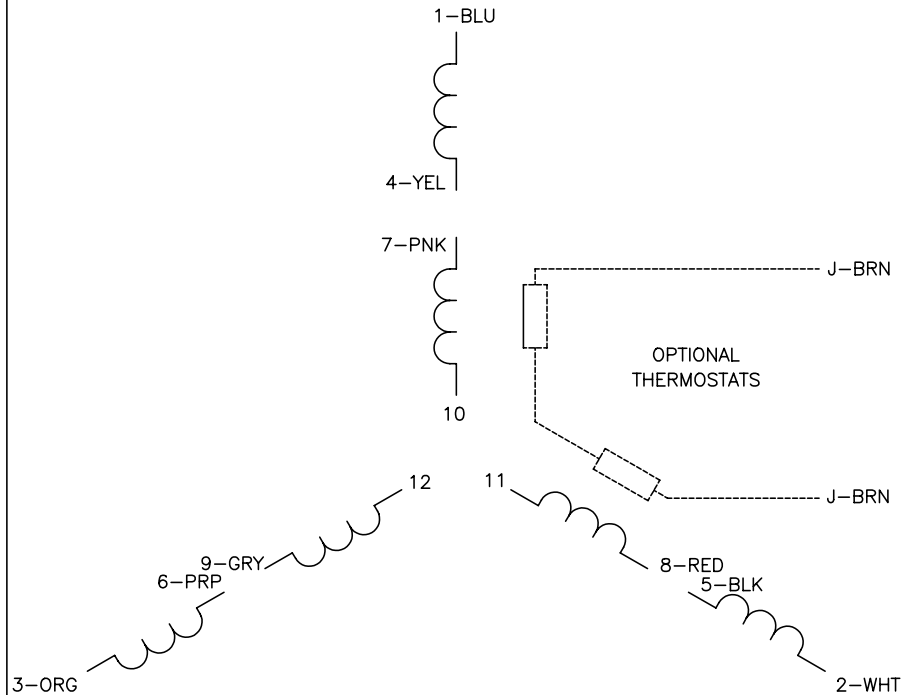
CUSTOMER IS RESPONSIBLE FOR DETERMINING THAT BALDOR'S PRODUCT WILL PERFORM SUITABLY IN THE INTENDED APPLICATION.

REV. DESC: UPDATED DESCRIPTION		
REV. LTR: P	VERSION: 07	TDR: 000000B55149
FILE: \AAA\00006\034	REVISED: 02:04:12 05/23/2014	BY: ENNINDO
MTL: -		

BALDOR
 HORZ OPSB 254-6T
 SH 1 of 1

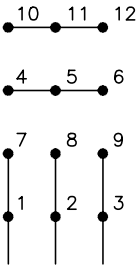
39LYD101

CD0104



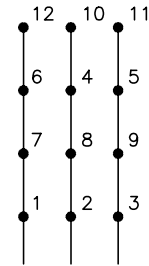
LOW VOLTAGE

START (2Y)



LINE

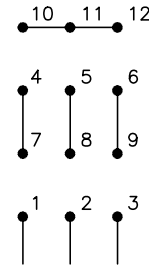
RUN (2D)



LINE

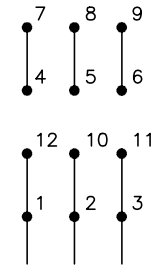
HIGH VOLTAGE

START (1Y)



LINE

RUN (1D)



LINE

NOTES:

1. INTERCHANGE ANY TWO LINE LEADS TO REVERSE ROTATION.
2. OPTIONAL THERMOSTATS ARE PROVIDED WHEN SPECIFIED.
3. ACTUAL NUMBER OF INTERNAL PARALLEL CIRCUITS MAY BE A MULTIPLE OF THOSE SHOWN ABOVE.
4. LEAD COLORS ARE OPTIONAL. LEADS MUST ALWAYS BE NUMBERED AS SHOWN.

REV. DESC: REVISE TO SHOW OPTIONAL COLORS			
REV. LTR: C	BY: JLP	REVISED: 01/19/99 4:24	TDR: 0171435
CD0104		FILE: AAA00008377	MDL: -
		MTL: -	

BALDOR ELECTRIC Co.

3PH, DV, 12 LEADS, Y START/D RUN

CD0104

Marketing maintained PDF of MN416:

<http://www.baldor.com/support/Literature/Load.ashx/MN416?ManNumber=MN416>