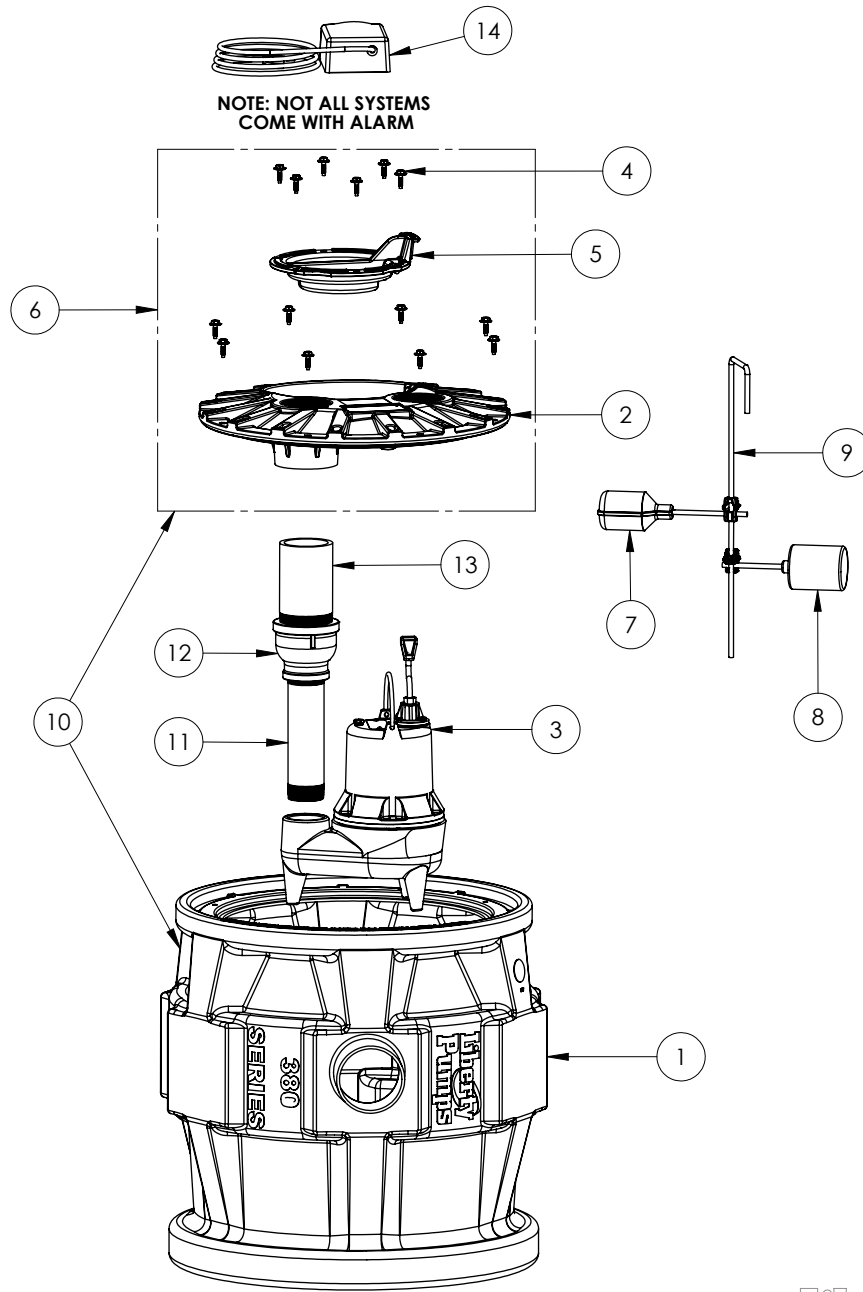


P383XLE51 (B10)



P383XLE51 (B10)

| # | PART # | DESCRIPTION | QTY | Note |
|----|-------------------------------|--|-----|------|
| 1 | K001133 | 380XL TANK 16 BOLTS | 1 | |
| 2 | 50350B0 | 3X3 COVER, 16 BOLT | 1 | |
| 3 | LE51M | 1/2 HP SEWAGE PUMP 115V, 10' POWER CORD | 1 | |
| 4 | 8155000 | WASHER HEAD HEX SCREW | 1 | |
| 5 | K001233 | INSPECTION COVER, INCLUDES MOUNTING SCREWS (6) | 1 | |
| 6 | K001128 | 3X3 COVER ASSEMBLY, 16 BOLT | 1 | |
| 7 | Pro Series Alarm switch (B10) | REPLACEMENT SWITCH BASED ON SYSTEM LABEL | 1 | [1] |
| 8 | K001054 | 61130A0 PUMP SWITCH, 10' 115V | 1 | |
| 9 | K001123 | QUICKTREE KIT, ROD & CLAMPS ONLY | 1 | |
| 10 | K001138 | P383XL TANK AND COVER 10'ST | 1 | |
| 11 | 40400A0 | 2" SCH80 PVC PIPE | 1 | |
| 12 | 4016000 | 3X2 REDUCER, STEEL COUPLING | 1 | |
| 13 | 40660D0 | 3" SCH80 PVC PIPE | 1 | |
| 14 | SEE NOTE FOR ALARM | ALARM ONLY | | [2] |
| 15 | K001054 | 61130A0 PUMP SWITCH, 10' 115V | 1 | |
| 16 | K001144 | 61130B0 PUMP SWITCH, 25' 115V | 1 | |
| 17 | K001134 | FLOAT SWITCH, 20FT CORD, INCLUDES 1 SWITCH PER KIT | 1 | |
| 18 | K001415 | 60050D0 SWITCH, 10' PILOT DUTY PIGTAIL | 1 | |

PART NOTES:

[1] - **NOTE**

ALARM SWITCH KITS

For /A2 Suffix of model number use Part No. K001134

For /A21 Suffix of model number use Part No. K001415

For /A2W Suffix of model number use Part No. K001134

[2] - ALARM PRO SERIES

FORA2 SUFFIX OF MODEL

NUMBER: USE PART NO 6225000

FORA2W SUFFIX OF MODEL

NUMBER: USE PART NO 6226000

FORA21 SUFFIX OF MODE

NUMBER: USE PART NO 6242000

Part requires factory authorized service. Contact Liberty Pumps at 1-800-543-2550