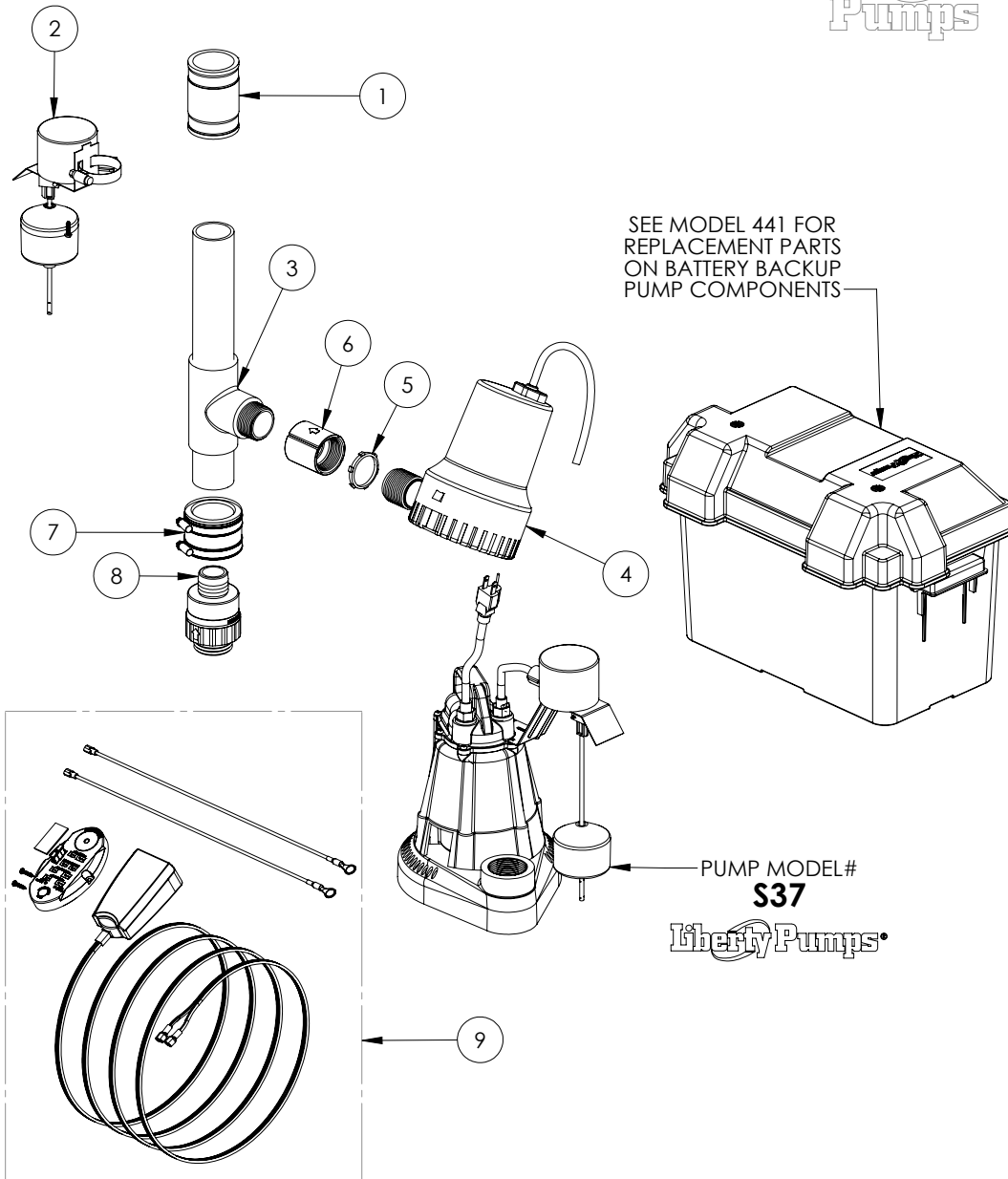


# PCS37-441 (B60)



PCS37-441 (B60)

| # | PART #  | DESCRIPTION   | QTY | Note |
|---|---------|---|-----|------|
| 1 | 4424000 | 1-1/2" X 1-1/2" RUBBER COUPLING                         | 1   |      |
| 2 | K001384 | BATTERY BACKUP SWITCH                                   | 1   |      |
| 3 | 4852000 | PC GLUED PIPE ASSEMBLY, 1.5 TO 1.25 REDUCER TEE<br>USED | 1   |      |
| 4 | K001122 | 12V DC BATTERY PUMP                                     | 1   |      |
| 5 | 81250C0 | 1 1/4" LOCKNUTS   | 1   |      |
| 6 | K001096 | CHECK VALVE   | 1   |      |
| 7 | 6706200 | PVC FLEXIBLE COUPLING ASSY                              | 2   |      |
| 8 | K001314 | THREADED CHECK VALVE 1-1/2" NPT, 5695200                | 1   |      |
| 9 | K001098 | CHARGER KIT   | 1   |      |