

Product information presented here reflects conditions at time of publication. Consult factory regarding discrepancies or inconsistencies.



MAILTO: P.O. BOX 16347 • Louisville, KY 40256-0347
SHIP TO: 3649 Cane Run Road • Louisville, KY 40211-1961
TEL: (502) 778-2731 • 1 (800) 928-PUMP • **FAX:** (502) 774-3624

Visit our web site:
zoellerpumps.com

REPLACEMENT PARTS LIST FOR MODELS:

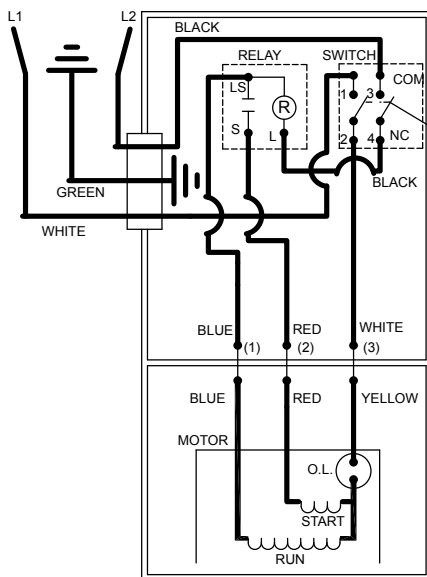
M139 AUTOMATIC 115V
D139 AUTOMATIC 230V
N139 NON-AUTOMATIC 115V
E139 NON-AUTOMATIC 230V

Consult factory for all other models

TO ORDER REPLACEMENT PARTS:

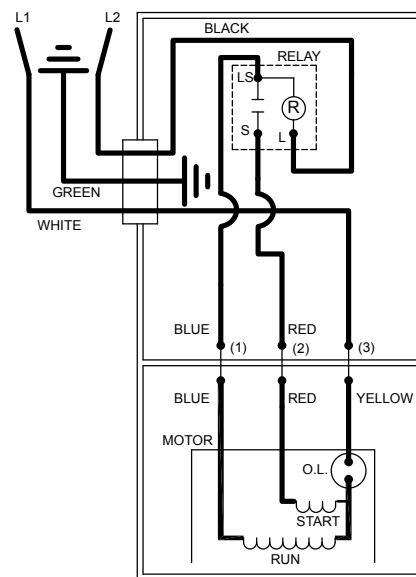
PLEASE FURNISH THE FOLLOWING INFORMATION:

- Model Number.
- Part Number of Pump.
- Part Number and Description of part.



004620

WIRING DIAGRAM FOR
MODELS
"M139-B" and "D139-B"
9/86 thru Present



002395

WIRING DIAGRAM FOR
MODELS
"N139-B" and "E139-B"
9/86 thru Present

REPLACEMENT PARTS LIST FOR MODELS "M139" and "D139".

See back page for "M139" and "D139" illustration.

MODELS:				M139-B	D139-B
REF NO.	DESCRIPTION	QTY	NOTES	9/86 thru Current	9/86 thru Current
1	• Handle	1		267032	267032
2	Case-Mach "137/267/268"	1	3	004611	004611
3	• Gasket,Case/Cover	1		267007	267007
4	Relay Asm	1		002474	147135
5	• Wire Pkg (2)Wires	1		267014	267014
6	• Seal,Thru Wall Term	3		003402	003402
7	• Plug,Test-White	2		034090	034090
8	• Clamp,Strain Relief-Red	1	6	NA	NA
9	Cord Term & Seal Asm 10'	1	3	094071	094072
10	• Seal,Cord-Asm & Strain Relief	1		094032	094032
11	Bearing,Upper Rotor	1		NA	NA
12	• Guard	1		267008	267008
13	Float-Polypropylene	1		034019	034019
14	• Arm & Seal Asm "130/260"	1	3	004741	004741
15	Case & Switch Asm "130/260"	1	3	004742	004742
16	Switch Asm "130/260"	1	3	004740	004740
□	Lead Wire (Gray)	1		NA	NA
17	Rod,Float	1		001526	001526
18	Housing,Mtr-&Str GE	1	1,2	002477	002478
	Housing,Mtr-& Str EMD	1	1,2	014799	015450
19	Rotor Asm 115/230V/1Ph GE	1	2	267005	267005
	Rotor Asm 115/230V/1Ph EMD	1	2	004021	004021
20	• Seal,Mtr Hsg	1		267006	267006
21	• Washer,Trst-Nyl.875X.504X.050"	1		002140	002140
22	Bearing,Sleeve-Lower Rotor	1		NA	NA
23	Housing,Pump-Mach	1		139018	139018
24	• Oil,Dielectric (24.5 Oz Can)	1		267056	267056
25	Guide Asm,Filt Rod	1		004676	004676
26	• Seal Asm,Shaft-Blister Pak	1		267027	267027
27	Impeller "137"	1		139006	139006
28	Base & Plate Asm	1		139002	139002
29	Strainer Plate	1		137008	137008
30	• Screw,.25-20 X .75 HHm-SS	9		001916	001916
31	• Screw,#6-32x.438RhsItp"1"Stlzi	2		004644	004644
32	• Screw,#10-24 X.375 RHM-SI SS	3		001883	001883
33	• Sem,10-24x.375HH-SI Tc.688Wash	2		002000	002000
34	• Screw,#6-32x.25RHM SI Tc Stlgr	3		001877	001877
□	Rebuild Kit "130/260"	1		004743	004743
35	Screw .25-20 x .875 HH SS	4		012491	012491

- Items included in Rebuild Kit.
- Not shown in illustration

NOTES:

- 1) Mtr. Hsg., Brg., Stator & Term. (Item 18) are preassembled at the factory and must be replaced as a unit. Stator is permanently attached to the Motor Housing. Plug (Item 7); Seal, Thru Wall Term. (Item 6) and Bearing - Upper (Item 11) are replaceable.
- 2) When ordering Motor Housing, Bearing, Stator and Term. (Item 18) or Rotor (Item 16) specify either GE or Emerson motor. GE or Emerson motor. GE motor can be identified by (4) half oval slots spaced at 90° around the outside diameter of the stator. Emerson motor can be identified by (2) half oval slots or holes spaced 180° around the outside diameter of the stator.
- 3) If an "X" follows Model No., or Date Mfg. on brass ID tag, consult factory for ordering any parts.
- 4) See FM0160 Parts Price Sheet for listing of parts prices.
- 5) "NA" indicates, not applicable.
- 6) Clamp, Strain Relief (Item 8) is not sold separately, must order Seal, Cord Asm (Item 10).

REPLACEMENT PARTS LIST FOR MODELS "N139" and "E139".

See back page for "N139" and "E139" illustration.

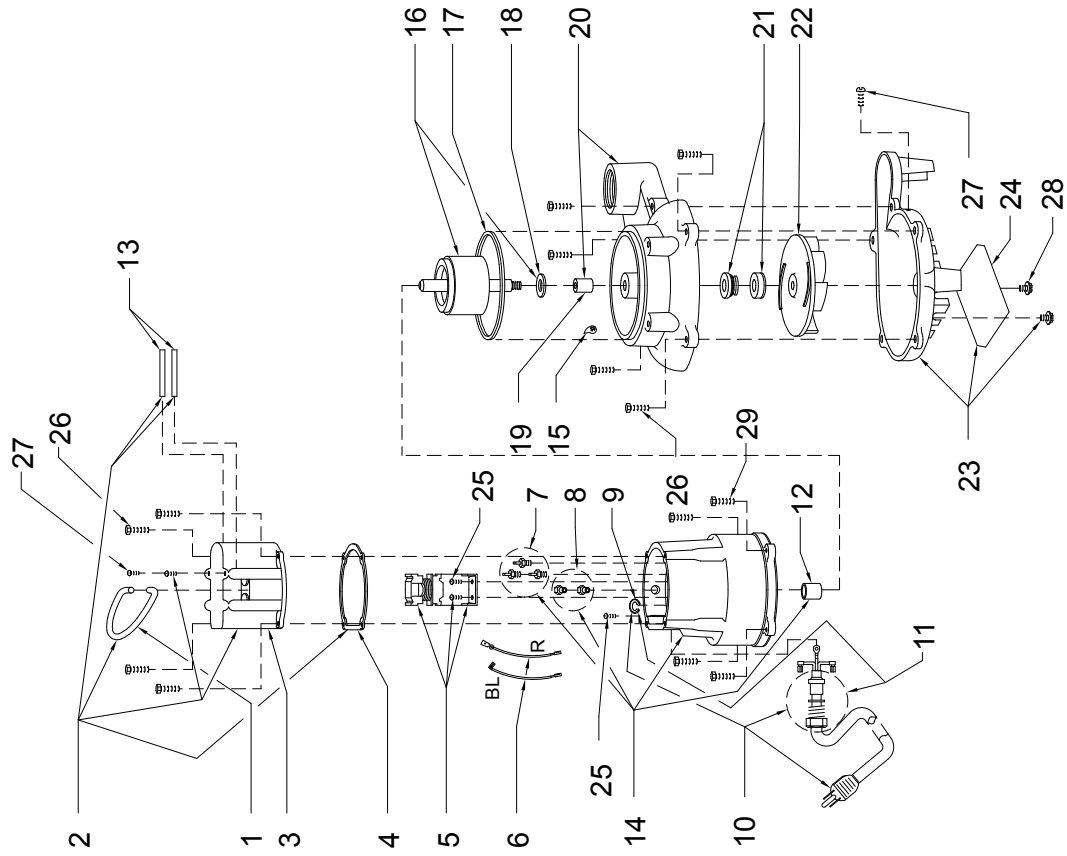
MODELS:				N139-B	E139-B	
REF NO.		DESCRIPTION	QTY	NOTES	9/86 thru Current	9/86 thru Current
1	•	Handle	1		267032	267032
2		Cover & Handle Asm	1		002599	002599
3		Cover-Mach	1		001519	001519
4	•	Gasket,Case/Cover	1		267007	267007
5		Relay Asm	1		002474	147135
6	•	Wire Pkg (2)Wires	1		267014	267014
7	•	Seal,Thru Wall Term	3		003402	003402
8	•	Plug,Test-White	2		034090	034090
9	•	Clamp,Strain Relief-Red	1	6	NA	NA
10		Cord Term & Seal 15'	1	3	153878	153879
11	•	Seal,Cord-Asm & Strain Relief	1		094032	094032
12		Bearing,Upper Rotor	1		NA	NA
13		Retainer, Hdl-Na	1		267053	267053
14		Housing,Mtr-&Str GE	1	1,2	002477	002478
		Housing,Mtr- & Str EMD	1	1,2	014799	015450
15	•	Oil,Dielectric (24.5 Oz Can)	1		267056	267056
16		Rotor Asm 115/230V/1Ph GE	1	2	267005	267005
		Rotor Asm 115/230V/1Ph EMD	1	2	004021	004021
17	•	Seal,Mtr Hsg	1		267006	267006
18	•	Washer,Trst-Nyl.875X.504X.050"	1		002140	002140
19		Bearing,Sleeve-Lower Rotor	1		NA	NA
20		Housing,Pump-Mach	1		139018	139018
21	•	Seal Asm,Shaft-Blister Pak	1		267027	267027
22		Impeller "137"	1		139006	139006
23		Base & Plate Asm	1		139002	139002
24		Strainer Plate	1		137008	137008
25	•	Screw,#6-32X.25RHM SI Tc Stlgr	2		001877	001877
26	•	Screw,#.25-20 X .75 HHm-SS	9		001916	001916
27	•	Screw,#10-24 x .375 rhm-si ss	3		001883	001883
28	•	Sem,10-24x.375HH-SI Tc.688Wash	2		002000	002000
29	•	Screw, .25-20 x .875 HH SS	4		012491	012491
▣		Rebuild Kit "130/260"	1		004743	004743

- Items included in Rebuild Kit.
- ▣ Not shown in illustration

NOTES:

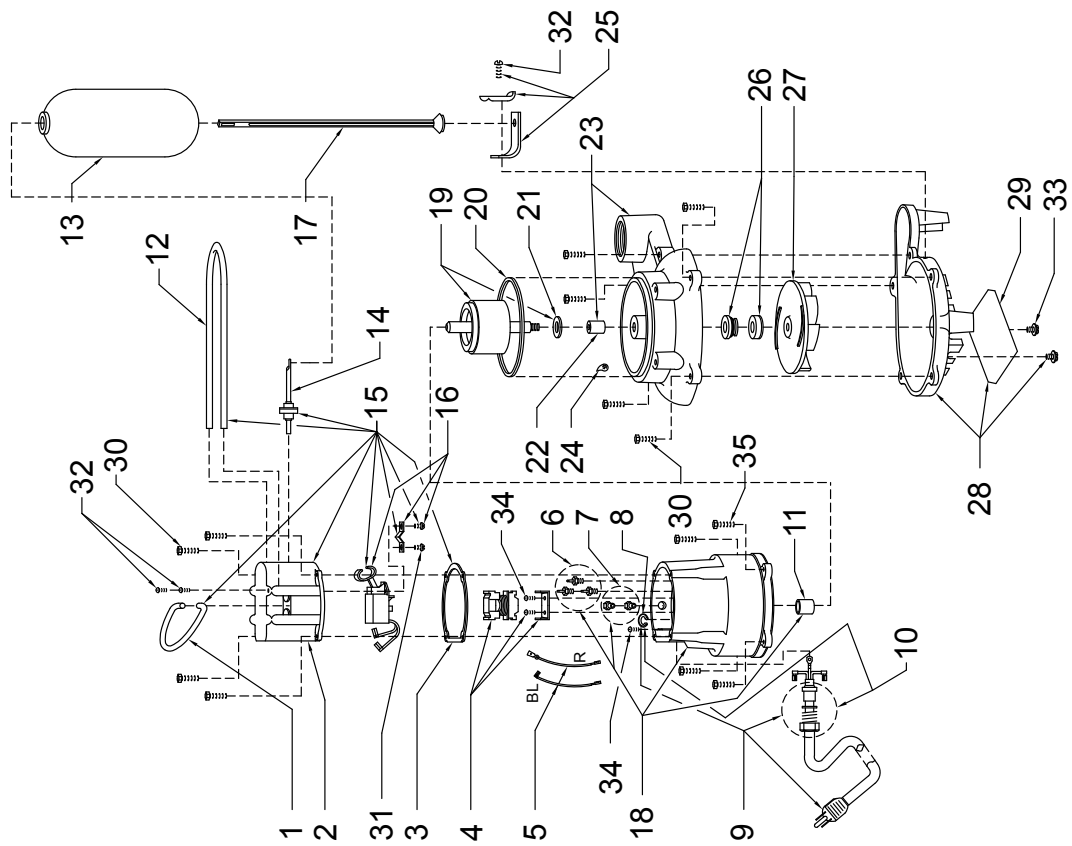
- 1) Mtr. Hsg., Brg., Stator & Term. (Item 14) are preassembled at the factory and must be replaced as a unit. Stator is permanently attached to the Motor Housing. Plug (Item 8); Seal, Thru Wall Term. (Item 7) and Bearing - Upper (Item 12) are replaceable.
- 2) When ordering Motor Housing, Bearing, Stator and Term. (Item 14) or Rotor (Item 16) specify either GE or Emerson motor. GE or Emerson motor. GE motor can be identified by (4) half oval slots spaced at 90° around the outside diameter or the stator. Emerson motor can be identified by (2) half oval slots or holes spaced 180° around the outside diameter of the stator.
- 3) If an "X" follows Model No., or Date Mfg. on brass ID tag, consult factory for ordering any parts.
- 4) See FM0160 Parts Price Sheet for listing of parts prices.
- 5) "NA" indicates, not applicable.
- 6) Clamp, Strain Relief (Item 9) is not sold separately, must order Seal, Cord Asm (Item 11).

REPLACEMENT PARTS ILLUSTRATION FOR MODELS "N139" AND "E139"



SK6813

REPLACEMENT PARTS ILLUSTRATION FOR MODELS "M139" AND "D139"



SK68B4