

3887 (WS_BF & WS_BHF) Series

CAST IRON SEWAGE PUMPS



3887 (WS_BF & WS_BHF) Series Sewage Pumps feature cast iron construction for long-lasting durability. They boast maintenance-free operation, and have oil-filled motor domes for superior cooling. They feature 2" solids handling and a 2" NPT threaded companion flange is standard. 3" options are available but must be ordered separately (order no. A1-3). These "Complete. Reliable. Blue." pumps are ideal for residential, light commercial and light industrial applications.

APPLICATIONS

- Homes
- Light industrial
- Light commercial
- Water transfer
- Sewage systems
- Dewatering/Effluent



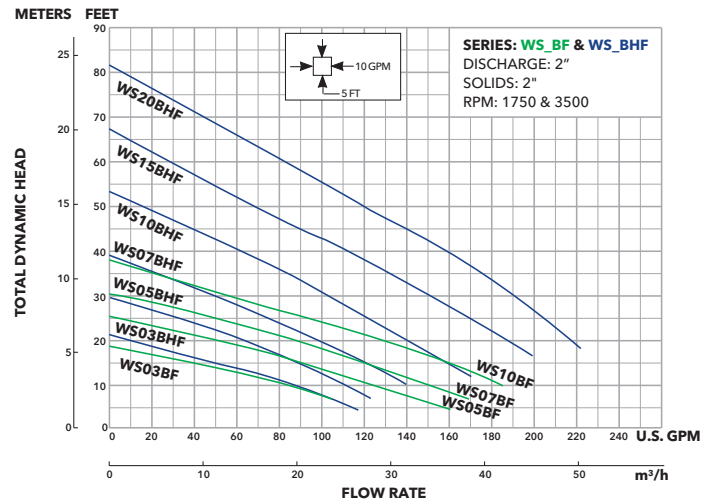
FEATURES

- Cast iron, semi-open, dynamically balanced, non-clogging impeller with pump-out vanes for mechanical seal protection (an optional silicon bronze impeller is available)
- Cast iron volute type casing for maximum efficiency, which is designed for easy installation
- Mechanical seal with silicon carbide vs. silicon carbide sealing faces for superior abrasion resistance, stainless steel parts and BUNA-N elastomers
- Corrosion-resistant, stainless steel shaft with a threaded design
- Locknut to guard against component damage on accidental reverse rotation
- 300 series stainless steel fasteners
- Capable of running dry without damaging the components
- Warranty: 3 years standard (4 years GPDA)

PRODUCT SPECIFICATIONS

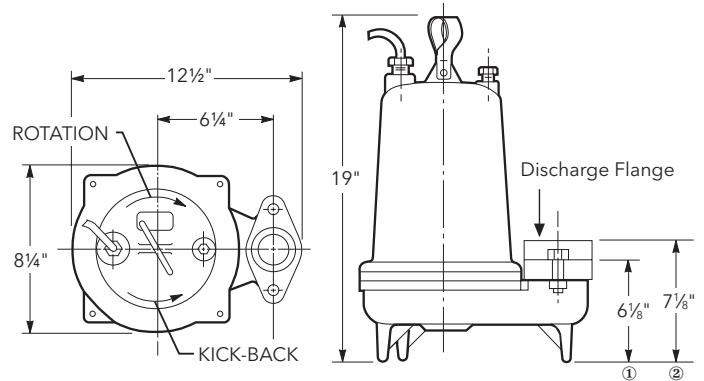
Order Number	HP	Phase	Volts	RPM	WS-BF Maximum Amps	WS-BHF Maximum Amps	
WS0311BF/BHF	0.33	1	115	1750 WS_ BF	10.7	12.4	
WS0318BF/BHF			208		6.8	6.8	
WS0312BF/BHF			230		4.9	6.2	
WS0511BF/BHF	0.5	1	115		14.5	14.5	
WS0518BF/BHF			208		8.0	8.4	
WS0512BF/BHF			230		7.3	7.6	
WS0538BF/BHF	0.5	3	200		3.8	4.9	
WS0532BF/BHF			230		3.3	3.6	
WS0534BF/BHF			460		1.7	1.8	
WS0537BF/BHF	0.75	1	575		3500 WS_ BHF	1.4	1.5
WS0718BF/BHF			208			11.0	11.0
WS0712BF/BHF			230			9.4	10.0
WS0738BF/BHF		3	200	4.1		6.2	
WS0732BF/BHF			230	3.6		5.4	
WS0734BF/BHF			460	1.8		2.7	
WS0737BF/BHF	575	1.5	2.2				
WS1018BF/BHF	1	1	208	14.0		14.5	
WS1012BF/BHF			230	12.3		13.0	
WS1038BF/BHF			3	200		6.0	8.6
WS1032BF/BHF		230		5.8		7.5	
WS1034BF/BHF		460		2.9		3.8	
WS1037BF/BHF		575	2.4	3.1			
WS1512BHF	1.5	1	230	3500	NA	18.0	
WS1538BHF			200			10.0	
WS1532BHF		3	230			9.6	
WS1534BHF			460			4.8	
WS1537BHF			575			3.9	
WS2012BHF	2	1	230			18.0	
WS2038BHF			200			12.0	
WS2032BHF		3	230			11.6	
WS2034BHF			460			5.8	
WS2037BHF			575			4.7	

PERFORMANCE CURVES



DIMENSIONS

(All dimensions are in inches. Do not use for construction purposes.)



Discharge Flange:

- ① 2" NPT standard
- ② 3" NPT optional (order an A1-3)

MATERIALS OF CONSTRUCTION

Part Name	Material
Impeller	Cast Iron*
Casing & Motor Dome	Cast Iron
Motor Adapter	Cast Iron
Mechanical Seal	Silicon Carbide/Silicon Carbide/BUNA
Cord	STOW or SJTOW
Fasteners	Stainless Steel
Handle	Stainless Steel

* Silicon bronze impeller available as an option.

AGENCY LISTINGS

Tested to UL778
CAN 22.2 by
CSA International
(Canadian Standards
Association)

Learn more about
3887 Series pumps:

Control
Panels



3887BF

3887BHF

xylem
Let's Solve Water

Xylem Inc.
2881 East Bayard Street Ext., Suite A
Seneca Falls, NY 13148
Phone: (866) 325-4210 • Fax: (888) 322-5877
www.xylem.com/goulds

Xylem is a registered trademark of Xylem Inc. or one of its subsidiaries. Goulds is a registered trademark of ITT Manufacturing Enterprises LLC and is used under license. All other trademarks or registered trademarks are property of their respective owners.

© 2024 Xylem Inc. GWT3887-SS-120067 R1 May 2024

**COMPLETE.
RELIABLE. BLUE.**

Learn more about
our complete line
of wastewater
products.

