

A.Y. McDonald Control Box

A.Y. McDonald offers a full line of control boxes to be used with our single phase three-wire pump/motor assemblies.

Features:

- Metal casing
- Auxiliary contacts for control by probes

Standard

- For use with three wire single phase submersible motors 1/2 through 1 HP. Capacitor start.

A.Y. McDonald Part No.	A.Y. McDonald Model No.	HP	Voltage	HZ	KW
6619-004	SC0413 0.5HP115VS	1/2	115	60	.37
6619-005	SC0413 0.5HP230VS	1/2	230	60	.37
6619-014	SC0413 0.75HP230VS	3/4	230	60	.55
6619-015	SC0413 1HP230VS	1	230	60	.75



4" Motors & Controls

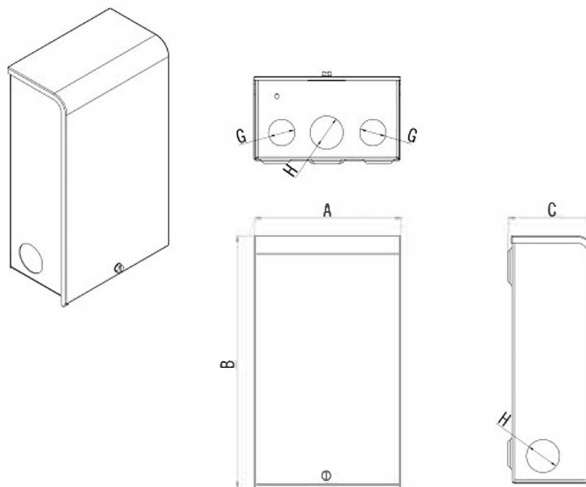
Electrical Data 60 Hz

For Motors Three-Wire

[HP]	[kW]	[V]	[μF]	[V]	A x B x C [inch]	W [lbs]
1/2	0.37	115	250-300	125	4.9" x 8.2" x 2.9"	2.8
1/2	0.37	230	59-71	250	4.9" x 8.2" x 2.9"	2.4
3/4	0.55	230	86-103	250	4.9" x 8.2" x 2.9"	2.4
1	0.75	230	105-126	250	4.9" x 8.2" x 2.9"	2.6

Standard Control Box & Knockout Dimension

Pos.	inch
A	4.9"
B	8.2"
C	2.9"
G	1/2" conduit
H	3/4" conduit



A.Y. McDonald Control Box

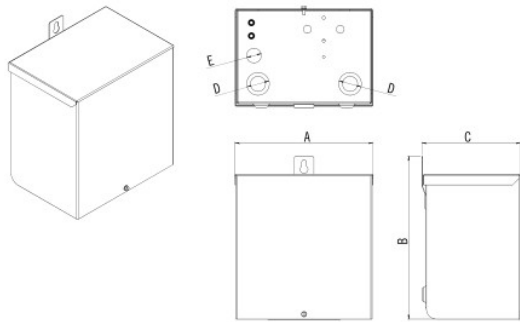
A.Y. McDonald offers a full line of control boxes to be used with our single phase three-wire pump/motor assemblies.

Features:

- Metal casing
- Auxiliary contacts for control by probes
- Thermal protection with external manual reset



4" CONTROL BOX DIMENSIONS TYPE CSCR



Control Box Dimension

Pos.	inch
A	8.3"
B	9.8"
C	5.9"
D	1" conduit
E	1/2" conduit

5HP Deluxe

Control Box Dimension

Pos.	inch
A	8.3"
B	15.4"
B1	16.5"
C	6.3"
D	1" conduit
E	1/2" conduit

Standard

- For use with three wire single phase submersible motors 1 1/2 through 5 HP. Capacitor start and Capacitor run.

A.Y. McDonald Part No.	A.Y. McDonald Model No.	HP	Voltage	HZ	KW	Run Cap. Part No.	[µF]	Volts	Start Cap. Part No.	[µF]	Volts	Start Overload Part No.	Main Overload Part No.	Relay Part No.	Contactor Part No.
6619-012	SC0413 1.5HP230VS	1 1/2	230	60	1.1	3132-672	10	370	3132-664	105-126	250	-	3132-688	3132-696	-
6619-006	SC0413 2HP230VS	2	230	60	1.5	3132-674	20	370	3132-666	105-126	250	3132-682	3132-690	3132-698	-
6619-007	SC0413 3HP230VS	3	230	60	2.2	3132-676	45	370	3132-668	208-250	250	3132-684	3132-692	3132-700	-
6619-008	SC0413 5HP230VS	5	230	60	3	3132-678	80	370	3132-670	270-324	250	3132-686	3132-694	3132-702	-

Deluxe

- For use with three wire single phase submersible motors 1/2 through 5 HP. Includes Magnetic Line Contactor, Capacitor start, and Capacitor run.

A.Y. McDonald Part No.	A.Y. McDonald Model No.	HP	Voltage	HZ	KW	Run Cap. Part No.	[µF]	Volts	Start Cap. Part No.	[µF]	Volts	Start Overload Part No.	Main Overload Part No.	Relay Part No.	Contactor Part No.
6619-013	SC0413 1.5HP230VD	1 1/2	230	60	1.1	3132-673	10	370	3132-665	105-126	250	3132-681	3132-689	3132-697	3132-705
6619-010	SC0413 2HP230VD	2	230	60	1.5	3132-675	20	370	3132-667	105-126	250	3132-683	3132-691	3132-699	3132-707
6619-011	SC0413 3HP230VD	3	230	60	2.2	3132-677	45	370	3132-669	208-250	250	3132-685	3132-693	3132-701	3132-709
6619-016	SC0413 5HP230VD	5	230	60	3	3132-679	80	370	3132-671	270-324	250	3132-687	3132-695	3132-703	3132-711

4" Motors & Controls