



CR15-H

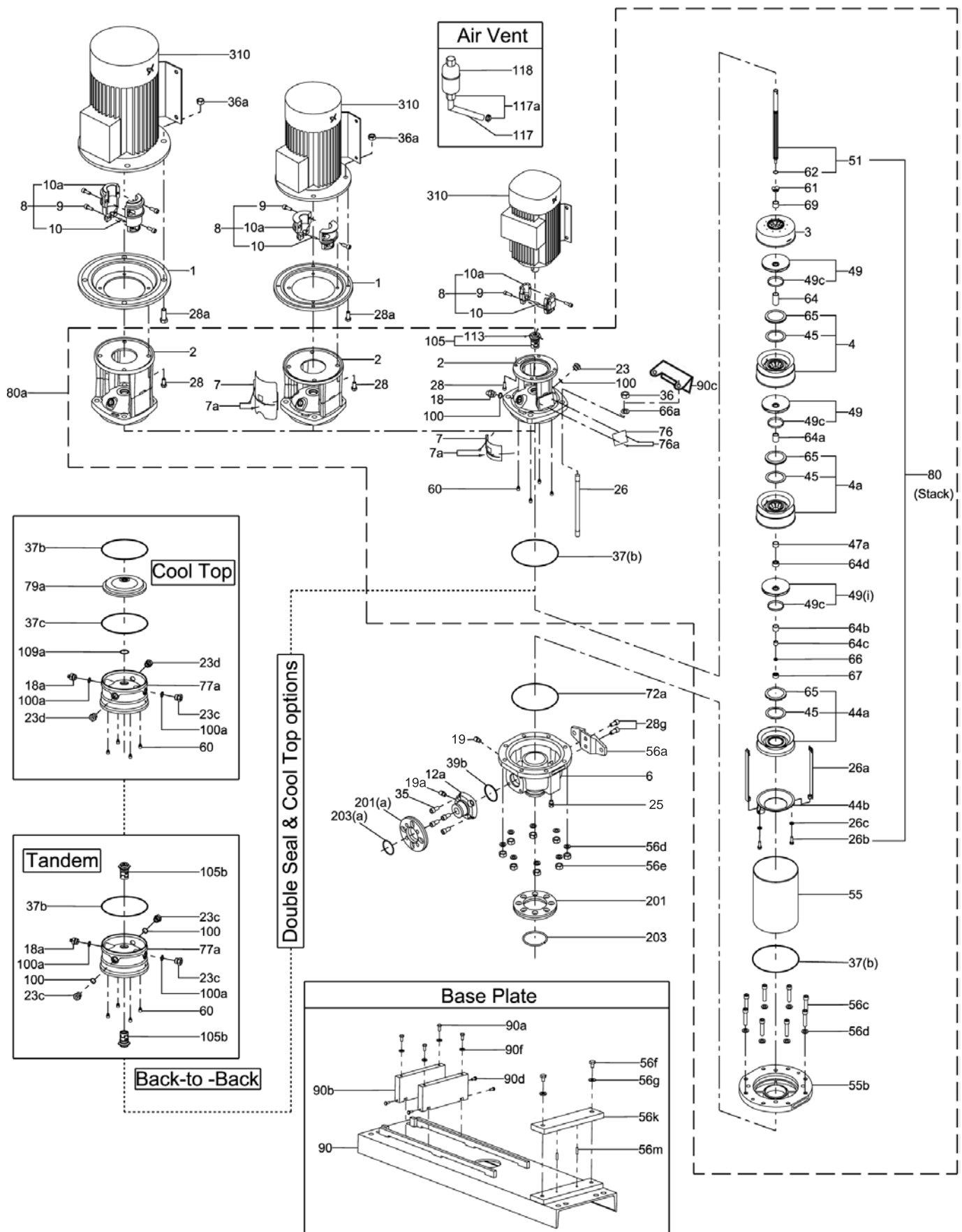
Parts List & Kits

Contents

Parts List
Spare Part Kits
Accessories
Special Tools
Standard Tools
Tools for Torques



Exploded View CR15-H



TM047924

Parts List & Kits CR15-H

Pos. No.	Part Description	Model	Stages	No. Used	Comments/Dimensions	B.O.M. Ref. No.	Material No.	Included in kits ?
----------	------------------	-------	--------	----------	---------------------	-----------------	--------------	--------------------

PARTS LIST

1	Adapter for Motor Stool		4-6	1	For NEMA, 213/215TC, 7.5 - 10HP	96476208		No	
2	Motor Stool		7-10	1	For NEMA, F254TC, 15-20HP	96486329		No	
			2/1	1	NEMA, 56C, .75 - 2.0HP	96486287		No	
			2-3	1	NEMA, 182TC, 3 - 5HP, (High)	96486311		No	
			4-6	1	Add Pos.1 NEMA 213/215TC, 7.5-10HP (High)	96486311		No	
			7-10	1	Add Pos. 1 for NEMA 254/256TC, 15-20HP	96486311		No	
			12	1	NEMA, 284/286TSC, 25HP	96486293		No	
3	Chamber, Top, Complete with guide vane		2-17	*1	Slotted to accept Strap, pos. 26a	96487786		No	
3a	Chamber N, Top, without guide vane		2/1	*1	Slotted to accept Strap, pos. 26a	96491222		No	
3b	Chamber without guide vane		3-17	*1		330015		No	
4	Chamber complete with Pos. 45 & 65		3-17	^^^	PTFE Pos.45	96475765		No	
4a	Chamber N Cpl. w/Pos. 45 & 65 & Bearing Chamber N Cpl. w/Pos. 45 & 65 & Brg. (option) Chamber N Cpl. w/Pos. 45 & 65 & Brg. (option)		2/1-17	^^^^	Silicon Carbide Brg, PTFE Pos. 45	96747342		YES*	
			2/1-17	^^^^	Graflon Bearing, PTFE Pos. 45	96492510		YES	
			2/1-17	^^^^	Bronze Bearing, PTFE Pos. 45	96492512		YES	
			2/1-17	^^^^					
6	Volute, suction / discharge base		2/1-17	1	GA, 1.5" suction (OD=76mm), 4 hole dis. adapter	95922001		No	
			2/1-17	1	G05/G22, 2" suction (OD=90mm) 4 hole dis.adapter	95922000		No	
			2/1-17	1	GB&C/G10/G50/G60, 3" suc. (OD=120), 6 hole dis. adap.	95922002		No	
7	Coupling Guard		2/1	2	NEMA-56C	96491002		YES	
7a	Screw for Coupling Guard		2-17	2	NEMA, 182-215TC (High), 254TC-286TSC	96490656		YES	
			1-17	4	Screw comb. slot torx/straight slot 4 x 8mm	96488481		YES	
9	Allen Screw		2/1	4	M6 x 20mm, Delta Tone/Seal	001D7899		YES	
			2-17	4	M10 x 25mm, Delta Tone/Seal	001D7901		YES	
10	Shaft Pin		2/1-17	1	ø5 x 26mm	310192	95061337	YES	
10a	Coupling Half (machined set)		2/1	1	NEMA, 56C, 1/3 - 2HP. ø15.9/ ø16mm	96516777		YES	
			2-3	1	NEMA, 182/184TC, 3-5HP. ø28.6/ø16mm (High)	96516009		YES	
			4-6	1	NEMA, 213TC, 7.5-10HP. ø34.9/ø16mm (High)	96516770		YES	
			7-10	1	NEMA, 254TC, 15-20HP. ø41.2/ø16mm (High)	96516771		YES	
			12	1	NEMA, 284/286TSC, 25HP. ø41.2/ø16mm	96516771		YES	
12a	Discharge Adapter		2/1-17	1	GA, 4 hole flange, OD= 55mm, ID= 26mm (1.0"), L= 60mm	95922007		No	
			2/1-17	1	G05, 4 hole flange, OD= 55mm, ID= 26mm (1.0"), L= 111mm	95922008		No	
			2/1-17	1	G22, 4 hole flange, OD= 90mm, ID= 50mm (2"), L= 85mm	95922016		No	
	Discharge Adp. option larger suc./dis. & press		2/1-17	1	GB, 6 hole flange, OD= 76mm, ID= 49mm (1.5"), L= 65mm	95922009		No	
			2/1-17	1	GC, 6 hole flange, OD= 90mm, ID= 49mm (2"), L= 65mm	95922010		No	
			2/1-17	1	G50, 6 hole flange, OD= 76mm, ID= 41mm (1.5"), L= 116mm	95922011		No	
			2/1-17	1	G10, 6 hole flange, OD= 90mm, ID= 50mm (2"), L= 110mm	95922012		No	
			2/1-17	1	G60, 6 hole flange, OD= 90mm, ID= 50mm (2"), L= 142mm	95922013		No	
			2/1-17	1	G20, 6 hole flange, OD= 76mm, ID= 40mm (1.5"), L= 166mm	95922014		No	
			2/1-17	1	G30, 6 hole flange, OD= 90mm, ID= 50mm (2"), L= 192mm	95922015		No	
			2/1-17	1	G50, 6 hole flange, OD= 76mm, ID= 47mm (1.5"), L= 96mm	96834136		No	
			2/1-17	1	G10, 6 hole flange, OD= 90mm, ID= 56mm (2"), L= 90mm	96834137		No	
			2/1-17	1	G60, 6 hole, flange, OD= 90mm, ID= 55mm (2"), L= 122mm	96834138		No	
			2/1-17	1	G20, 6 hole flange, OD= 76mm, ID= 46mm (1.5"), L= 146mm	96834139		No	
			2/1-17	1	G30, 6 hole flange, OD= 90mm, ID= 54mm (2"), L= 172mm	96834140		No	
			2/1-17	1	G33, 6 hole fig. OD=120mm, ID= 80mm (3"), L= 110mm	95922017		No	
		18(a)	Priming/Vent Plug		2/1-17	*	G 1/2A, NV24 with NV9 x M8 stem	405150	95061351
19	(Suction) Pressure tap plug		2/1-17	1	1/4" NPT, SS SQHD	001D7216		No	
19a	(Discharge) Pressure tap plug		2/1-17	1	1/4" NPT, SS SQHD	001D7216		No	
23, 23c	Plug		2/1-17	*	G 1/2A, NV24, solid	370025	95061733	No	
25	Drain plug		2/1-17	1	1/4" NPT, SS SQHD	001D7216		No	
26	Staybolt		2/1-2	4	M16 x 150mm	96922785		No	
			3	4	M16 x 196mm	96922788		No	
			4	4	M16 x 241mm	96922792		No	
			5	4	M16 x 286mm	290247		No	
			6	4	M16 x 327mm	350179		No	
			7	4	M16 x 376mm	96922799		No	
			8	4	M16 x 415mm	370134		No	
			9	4	M16 x 467mm	96922804		No	
			10	4	M16 x 506mm	96922806		No	
			12	4	M16 x 596mm	96922810		No	
			14	4	M16 x 686mm, 4 pole & 50 Hz.	96922814		No	
			17	4	M16 x 827mm, 4 pole & 50 Hz.	370981		No	
		Staybolt (Back-to-Back & Tandem Seal option)		2/1-2	4	M16 x 241mm	96922792		No
				3	4	M16 x 286mm	290247		No
				4	4	M16 x 333mm	370133		No
				5	4	M16 x 376mm	96922799		No
				6	4	M16 x 415mm	370134		No
	7		4	M16 x 467mm	96922804		No		
	8		4	M16 x 506mm	96922806		No		
	9		4	M16 x 550mm	96922808		No		
	10		4	M16 x 596mm	96922810		No		
	12		4	M16 x 686mm	96922814		No		
	14		4	M16 x 776mm, 4 pole & 50 Hz.	290254		No		
	17	4	M16 x 916mm, 4 pole & 50 Hz.	290256		No			

Due to part changes over time, all position numbers (1-203) may not be used.

This column indicates which pump model uses the spare part. If blank, the part is used in all models.

B.O.M. Ref. No. is only available if it is not included in a kit or does not have a material number listed. If it is included in a kit (YES), or has a material number, request one of these numbers. If not included in a kit (No), but has a Material Number, use Material Number.

Parts List & Kits CR15-H

Pos. No.	Part Description	Model	Stages	No. Used	Comments/Dimensions	B.O.M. Ref. No.	Material No.	Included in kits ?
----------	------------------	-------	--------	----------	---------------------	-----------------	--------------	--------------------

PARTS LIST

26a	Strap		2/1-2	2	L* = 93.5mm x 20.3mm x 1.3mm, 316 SS, M8 nut.	96487759		No
			3	2	L* = 138.5mm x 20.3mm x 1.3mm, 316 SS, M8 nut	96487761		No
			4	2	L* = 183.5mm x 20.3mm x 1.3mm, 316 SS, M8 nut	96487763		No
			5	2	L* = 228.5mm x 20.3mm x 1.3mm, 316 SS, M8 nut	96487765		No
			6	2	L* = 273.5mm x 20.3mm x 1.3mm, 316 SS, M8 nut	96487767		No
			7	2	L* = 318.5mm x 20.3mm x 1.3mm, 316 SS, M8 nut	96487769		No
			8	2	L* = 363.5mm x 20.3mm x 1.3mm, 316 SS, M8 nut	96487770		No
			9	2	L* = 408.5mm x 20.3mm x 1.3mm, 316 SS, M8 nut	96487772		No
			10	2	L* = 453.5mm x 20.3mm x 1.3mm, 316 SS, M8 nut	96487774		No
			12	2	L* = 543.5mm x 20.3mm x 1.3mm, 316 SS, M8 nut	96487776		No
			14: 4 pole	2	L* = 633.5mm x 20.3mm x 1.3mm, 316 SS, M8 nut	96487780		No
			17: 4 pole	2	L* = 768.5mm x 20.3mm x 1.3mm, 316 SS, M8 nut	96487782		No
			26b	Bolt for Pos. 26a		2/1-17	2	M8 x 25mm, 316 SS w/Delta Tone/Seal
26c	Washer for Pos. 26b		2/1-17	2	A4, $\phi 16.0/\phi 8.4 \times 1.6$ mm	00ID3284		No
28	Motor Bolt		2/1	4	NEMA, 56C, 1/3 - 2HP, UNC 3/8" x 25mm	00ID1839		No
			2-3	4	NEMA, 182/184TC, 3 - 5HP, UNC 1/2" x 25mm	00ID1840		No
			4-6	4	NEMA, 213TC, 7.5 - 10HP, JR 1/2" x 1.25" UNC	00ID0185		No
			7-10	4	NEMA, 254TC, 15-20HP, 1/2" x 2.5" UNC	96491112		No
			12	4	NEMA, 284TC, 25HP, UNC 1/2" x 25mm	00ID1840		No
28g	Bolt for Foot 56a & Volute pos. 6 (GA, GB, GC)		2/1-17	2	M12 x 20mm, low hex head, 8.8 Alloy Steel, Delta Tone/Seal	95922047		No
			2/1-17	2	M12 x 20mm, 8.8 Alloy Steel, Delta Tone/Seal	95922048		No
35	Bolt for Discharge Adapter Pos. 12a (GB, GC)		2/1-17	6	M12 x 22mm Socket Head Cap Screw, Delta Tone/Seal	95922049		No
			2/1-17	4	M12 x 25mm Socket Head Cap Screw, Delta Tone/Seal	95922050		No
36	Staybolt Nut		2/1-17	4	24mm x M16, Delta Tone/Seal	00ID7908		No
37(b)	Sleeve O-ring		2/1-17	◆◆	EPDM, $\phi 170.7 \times 3.3$ mm	96483101		YES
			2/1-17	◆◆	FKM, $\phi 170.7 \times 3.3$ mm	96483102		YES
			2/1-17	◆◆	FKM, $\phi 171.25 \times 3.3$ mm	96483109		YES
			2/1-17	◆◆	FFKM, $\phi 170.7 \times 3.3$ mm	96483140		YES
			2/1-17	◆◆	FFKM, Parker 2-238 $\phi 88.5 \times 3.5$ mm	95922035		YES
39b	O-ring for Discharge Adapter flange Pos. 12a		2/1-17	1	FKM, Parker 2-238 $\phi 88.5 \times 3.5$ mm	95922036		YES
			2/1-17	1	FKM, Parker 2-238 $\phi 88.5 \times 3.5$ mm	95922037		YES
			2/1-17	1	FKM, Parker 2-238 $\phi 88.5 \times 3.5$ mm	95922037		YES
			2/1-17	1	FFKM, Parker 2-238 $\phi 88.5 \times 3.5$ mm	95131207		YES
44a	Inlet upper with Pos. 45 & 65		2/1-17	1		96489038		No
44c	Inlet upper with Pos. 45 & 65 (Low NPSH option)		2-17	1		96491227		No
44b	Inlet lower, machined		2/1-17	1		96488000		No
45	Neck Ring		2/1-17	# imp.-	$\phi 75.8 \times \phi 59.95 \times 1.5$ mm, PTFE-Acoflon 100	96487400		YES
			2/1-17	1	$\phi 88.0 \times \phi 66.2 \times 2.2$ mm, PTFE-Acoflon 215	290091		No
47a	Bearing Ring/Spacer		2/1-17	^^^^	SiC 150, $\phi 23.4 \times \phi 17.6 \times \phi 15.0 \times 14$ mm	96763100		YES
			2/1-17	^^^^	TC, $\phi 21.9 \times \phi 17.6 \times \phi 15.0 \times 14$ mm	330085	95061371	YES
49	Impeller		2/1-17	# stgs-	$\phi 104.8 \times \phi 59.85 \times 25.4$ mm (back-plate 1.5mm)	96476399		No
49c	Wear Ring N for Impeller 49		2/1-17	# stgs-	$\phi 59.85 \times 7.4$ mm	330054		YES
49c	Wear Ring N for Low NPSH Impeller 49i		2/1-17	1	$\phi 66.0 \times 8.5$ mm	290049		No
49i	Impeller N (Low NPSH option)		2-17	1	$\phi 118.8 \times \phi 66.0 \times 32.2$ mm	96521444		No
51	Shaft, Complete		2/1-2	1	$\phi 16 \times 209.0$ mm, 431 SS	96490794		No
			3	1	$\phi 16 \times 249.0$ mm, 431 SS	96490798		No
			4	1	$\phi 16 \times 299.0$ mm, 431 SS	96490872		No
			5	1	$\phi 16 \times 339.0$ mm, 431 SS	96490876		No
			6	1	$\phi 16 \times 389.0$ mm, 431 SS	96490880		No
			7	1	$\phi 16 \times 429.0$ mm, 431 SS	96490884		No
			8	1	$\phi 16 \times 479.0$ mm, 431 SS	96490886		No
			9	1	$\phi 16 \times 519.0$ mm, 431 SS	96490888		No
			10	1	$\phi 16 \times 564.0$ mm, 431 SS	96490892		No
			12	1	$\phi 16 \times 659.0$ mm, 431 SS	96490896		No
			14	1	$\phi 16 \times 744.0$ mm, 431 SS, 4 pole & 50 Hz.	96490910		No
			17	1	$\phi 16 \times 879.0$ mm, 431 SS, 4 pole & 50 Hz.	96490915		No
			2/1-2	1	$\phi 16 \times 299.0$ mm, 329 SS	96507538		No
			3	1	$\phi 16 \times 339.0$ mm, 329 SS	96507570		No
			4	1	$\phi 16 \times 389.0$ mm, 329 SS	96507572		No
			5	1	$\phi 16 \times 429.0$ mm, 329 SS	96507574		No
			6	1	$\phi 16 \times 479.0$ mm, 329 SS	96507576		No
7	1	$\phi 16 \times 519.0$ mm, 329 SS	96507578		No			
8	1	$\phi 16 \times 569.0$ mm, 329 SS	96507579		No			
9	1	$\phi 16 \times 609.0$ mm, 329 SS	96507580		No			
10	1	$\phi 16 \times 654.0$ mm, 329 SS	96507582		No			
12	1	$\phi 16 \times 749.0$ mm, 329 SS	96507584		No			
12	1	$\phi 16 \times 777.0$ mm, 329 SS (Low NPSH option)	96551867		No			
14	1	$\phi 16 \times 834.0$ mm, 431 SS, 4 pole & 50 Hz.	96507586		No			
17	1	$\phi 16 \times 969.0$ mm, 431 SS, 4 pole & 50 Hz.	96507588		No			
17: 4 pole	1	$\phi 16 \times 1014.0$ mm, 431 SS, Low NPSH & 50 Hz.	96529710		No			
55	Sleeve		2/1-2	1	$\phi 171.1/\phi 170.7 \times 104.0$ mm x 1.5mm, 304 SS	96489762		No
			3	1	$\phi 171.1/\phi 170.7 \times 149.0$ mm x 1.5mm, 304 SS	96489764		No
			4	1	$\phi 171.1/\phi 170.7 \times 194.0$ mm x 1.5mm, 304 SS	96489766		No
			5	1	$\phi 171.1/\phi 170.7 \times 239.0$ mm x 1.5mm, 304 SS	96489767		No

Due to part changes over time, all position numbers (1-203) may not be used.

This column indicates which pump model uses the spare part. If blank, the part is used in all models.

B.O.M. Ref. No. is only available if it is not included in a kit or does not have a material number listed. If it is included in a kit (YES), or has a material number, request one of these numbers. If not included in a kit (No), but has a Material Number, use Material Number.

Parts List & Kits CR15-H

Pos. No.	Part Description	Model	Stages	No. Used	Comments/Dimensions	B.O.M. Ref. No.	Material No.	Included in kits ?
----------	------------------	-------	--------	----------	---------------------	-----------------	--------------	--------------------

PARTS LIST

55	Sleeve - continued		6	1	Ø171.1/ Ø170.7 x 284.0mm x 1.5mm, 304 SS	96489769		No			
			7	1	Ø171.1/ Ø170.7 x 329.0mm x 1.5mm, 304 SS	96489771		No			
			8	1	Ø171.1/ Ø170.7 x 374.0mm x 1.5mm, 304 SS	96489772		No			
			9	1	Ø171.1/ Ø170.7 x 419.0mm x 2.0mm, 316 SS	96489857		No			
			10	1	Ø171.1/ Ø170.7 x 464.0mm x 2.0mm, 316 SS	96489831		No			
			12	1	Ø171.1/ Ø170.7 x 554.0mm x 2.0mm, 316 SS	96489833		No			
			14: 4 pole	1	Ø171.1/ Ø170.7 x 644.0mm x 2.0mm, 316 SS	96489835		No			
			17: 4 pole	1	Ø171.1/ Ø170.7 x 779.0mm x 2.0mm, 316 SS	96489836		No			
55b	Sleeve flange		2/1-17	1	CR-H, CRN-H10, 15, 20, 316 SS.	95131164		No			
56a	Foot (Cast Iron) for Pos. 6 (GA, GB, GC)		2/1-17	1	H= 21mm, W= 198mm, Ø16mm hole CL 142mm, CL	95922023		No			
			2/1-17	1	H= 98mm, W= 300mm, Ø16mm hole CL 248mm, CL	95922024		No			
			2/1-17	1	H= 142mm, W= 300mm, Ø16mm hole CL 248mm, CL	96834143		No			
		254TC									
56b(d)	Washer for bolt Pos. 56c		2/1-17	16	M12, 304 SS	001D3103		No			
56c	Bolt for sleeve flange Pos. 55b		2/1-17	8	M12x1.75 x60mm, 12.9 Alloy Steel, Delta Tone/Seal	97672735		No			
56e	Nut for bolt Pos. 56c		2/1-17	8	M12, NV19, 8.8 Steel, Delta Tone/Seal	001D7917		No			
56f	Bolt for Pos. 90 (BP139 w/GA, BP245 G05/22)	56/182T	2/1-2	2	Hex Hd.1/2 -13 UNC x 1" SAE 5, Zinc plated			YES			
			6-12	2	Hex Hd.1/2 -13 UNC x 1" SAE 5, Zinc plated			YES			
			3-5	2	Hex Head 1/2 -13 UNC x 1.25" SAE 5, Zinc plated			YES			
			284TC	12	Hex Head 1/2 -13 UNC x 1.25" SAE 5, Zinc plated			YES			
			254TC	6-10	2	Hex Head 1/2 -13 UNC x 2.25" SAE 5, Zinc plated			YES		
56g	Washer for bolt Pos. 56f		2/1-17	2	1/2" SAE, Zinc plated			YES			
56k	Spacer for base Pos. 90	GA/GB	6-10	1	148BP 254T, L=200mm x H=25.4mm x W=78.2mm			YES			
56m	Alignment pin	GA/GB	6-10	2	Slotted Spring Pin, Ø3/16" x 1" ASME, Zinc plated			YES			
60	Stack Compression Spring		2/1-17	4	Ø11.0 x Ø7.0 x 15.5mm, EPDM	96503070		YES			
			2/1-17	4	Ø11.0 x Ø7.0 x 15.5mm, FKM	96503072		YES			
			2/1-17	4	Ø11.0 x Ø7.0 x 15.5mm, PTFE	96503071		YES			
60a	Stack Compression Spring (option)		2/1-17	4	Ø11.0 x Ø7.0 x 15.5mm, PTFE	96503071		YES			
61	Stop spacer		2/1-17	1	Ø22.0 x Ø17.8 x Ø15.11 x 11.8 x 6.8mm	96783511		YES			
64	Spacing Pipe		3-17	^^^	Ø21.5 x Ø17.5 x 43.6mm	331407		No			
64a	Spacing Pipe		2-17	^^^^	Ø21.5 x Ø17.5 x 17.0mm	331416		YES			
64b	Spacing Pipe		2-17	^^^^	Ø21.5 x Ø17.5 x 5.0mm	331401		YES			
64c	Clamp, Splined		2/1-17	1	Ø21.5 x Ø17.6 x Ø15.0 x 12.7mm	96496311		YES			
64d	Spacing Pipe		2/1-17	^^^^^^	Ø21.5 x Ø17.5 x 12.6mm	96491535		YES			
64e	Spacing Pipe (Low NPSH option only)		2-17	^ +	Ø21.5 x Ø17.5 x 8.0mm	331411		No			
64f	Spacing Pipe (Low NPSH option only)		2/1	^-	Ø21.5 x Ø17.5 x 18.0mm	96491536		No			
64g	Spacing Pipe (de-staging 2 impellers option only)		3-17	1 per de-stg	Ø21.5 x Ø17.5 x 45.0mm (use with 3b only)	331408		No			
65	Neck Ring Retainer	Neck Ring Retainer (Low NPSH option)	2/1-17	# stgs-	Ø78.8 x Ø61.5 x 6.7mm	330059	96547341	YES			
			2-17	1	Ø84.5 x Ø67.8 x 4.6mm	290059		YES			
66	Lock Washer Set for Shaft		2/1-17	1	Ø13.5 x Ø8.2 x 2.6mm	96417297		YES			
66a	Washer for Staybolt		2/1-17	4	DIN 125A, Ø30 x Ø17 x 2.5mm, Delta Tone/Seal	96430378		No			
67	Lock Nut for Shaft		2/1-17	1	13mm x M8	96496488		YES			
69	Spacing Pipe		2-17	⊖	Ø27.5 x Ø17.5 x 27.5mm	96491537		No			
69a	Spacing Pipe (de-staging option only)		2/1	1	Ø21.5 x Ø17.5 x 29.05mm (use with 3a only)	331404	95061499	No			
72a	O-ring for Sleeve Flange Pos. 55b		2/1-17	1	EPDM, Ø215.5mm	95922038		YES			
			2/1-17	1	FKM, Ø215.5mm	95922039		YES			
			2/1-17	1	FFKM, Ø215.5mm	95131208		YES			
			2/1-17	1	FKM, Ø215.5mm	95922040		YES			
76	Nameplate		2/1-17	1	304SS, 60 x 45mm	96563333		No			
76a	Rivet for Nameplate		2/1-17	2	304SS, Ø3 x 5mm	96022882		No			
77a	Pump Head Cover for Tandem Seal & Cool Top®		2/1-17	1	Cast Stainless	96505487		No			
	Pump Head Cover for Back-to-Back		2/1-17	1	Cast Stainless	96505488		No			
79a	Disc / Plate complete w/79b & c for Cool Top		2/1-17	1	Cast Stainless	96511281		No			
79b	Bushing for Disc / Plate 79a		2/1-17	1	Graflon	96505571		No			
79c	Retaining Ring for 79b		2/1-17	1	Stainless	96510985		No			
90	Main Support Baseplate	GA/GB	2/1-2	1	BP. Cpl. 139, L=991mm x W=305mm x H=106.5mm	96956336		YES			
			3-6	1	BP. Cpl. 148, L=1219mm x W=381mm x H=107.9mm	96956346		YES			
			2/1-2	1	BP. Cpl. 245, L=1143mm x W=305mm x H=106.5mm	96956341		YES			
			G05/22	3-5	1	BP. Cpl. 252, L=1320.8mm x W=381mm x H=107.9mm	96956356		YES		
			G05/22	6-10	1	BP. Cpl. 258, L=1473.2mm x W=457.2mm x H=119.1mm	96956360		YES		
					GA/GB	7-10	1	XLBP1(139/245), L=1500mm x W=381mm x H=106.5mm	96956376		YES
					GA/GB	12	1	XLBP2(148/252), L=1777.8mm x W=381mm x H=107.9mm	96956377		YES
					G22	12	1	XLBP3(258/264), L=2406.4mm x W=457.2mm x H=119.1mm	96956379		YES
					GA/GB	12	1	XLBP4(153), L=2406.4mm x W=457.2mm x H=194mm	96957102		YES
90a	Bolt for motor to slider Pos. 90b	56C	2/1	4	Hex Head 5/16 -18 UNC x .75" SAE 5, Zinc plated			YES			
			182TC	2	4	Hex Head 3/8 -16 UNC x .5" SAE 5, Zinc plated			YES		
			213TC	3-5	4	Hex Head 3/8 -16 UNC x 5/8" SAE 5, Zinc plated for GA/GB			YES		
			213TC	3-5	4	Hex Head 3/8 -16 UNC x 1" SAE 5, Zinc plated for G05/22			YES		
			254-284	6-12	4	Hex Head 1/2 -13 UNC x 1.25" SAE 5, Z.P. for G05/22			YES		
			254-284	6-12	4	Hex Head 1/2 -13 UNC x 1.5" SAE 5, Zinc plated for GA/GB			YES		

↑ Due to part changes over time, all position numbers (1-203) may not be used.

↑ This column indicates which pump model uses the spare part. If blank, the part is used in all models.

B.O.M. Ref. No. is only available if it is not included in a kit or does not have a material number listed. If it is included in a kit (YES), or has a material number, request one of these numbers. If not included in a kit (No), but has a Material Number, use Material Number.

Parts List & Kits CR15-H

Pos. No.	Part Description	Model	Stages	No. Used	Comments/Dimensions	B.O.M. Ref. No.	Material No.	Included in kits ?
----------	------------------	-------	--------	----------	---------------------	-----------------	--------------	--------------------

PARTS LIST

90b	Motor support / slider	56C	2/1	2	GA,GB,GC, BP139, L=204mm x H=45.5mm x W=25.4mm	96956339		YES		
		182TC	2	2	GA,GB,GC, BP139, L=230mm x H=23mm x W=25.4mm	96956338		YES		
		213TC	3-5	2	GA,GB,GC, BP148, L=252mm x H=20mm x W=25.4mm	96956347		YES		
		254TC	6-10	2	GA,GB,GC, BP148, L=299mm x H=20.3mm x W=25.4mm	96956348		YES		
		284TC	12	2	GA,GB,GC, BP153, L=366mm x H=46mm x W=25.4mm	96956351		YES		
		56C	2/1	2	G05, G22, BP245, L=204mm x H=125.5mm x W=25.4mm	96956343		YES		
		182TC	2	2	G05, G22, BP245, L=230mm x H=100mm x W=25.4mm	96956342		YES		
		213TC	3-5	2	G05, G22, BP252, L=252mm x H=96.5mm x W=25.4mm	96956357		YES		
		254TC	6-10	2	G05, G22, BP252, L=354mm x H=67mm x W=25.4mm	96956361		YES		
		284TC	12	2	G05, G22, BP258, L=354mm x H=67mm x W=25.4mm	96956361		YES		
		90c	Support Bracket for Pump Cartridge		2/1-17	1	304 SS, H=59mm CL of hole, GA/GB/GC	95131178		No
					2/1-17	1	304 SS, H=136mm CL of hole, G05/G10/G22/G50/G60	95131180		No
	2/1-17			1	304 SS, H=180mm CL of hole, G20/G30	96834148		No		
90d	Bolt for motor slider Pos. 90b to base Pos. 90	56C	2/1	4	Hex Head 1/4 -20 UNC x 1.75" SAE 5, Zinc plated			YES		
		182/213	2-5	4	Hex Head 1/4 -20 UNC x 1.75" SAE 5, Z.P. for GA/GB			YES		
		213-284	3-12	4	Hex Head 1/4 -20 UNC x 1.75" SAE 5, Z.P. for G05/G22			YES		
		284TC	12	4	Hex Head 1/4 -20 UNC x 2.25" SAE 5, Z.P. for GA/GB			YES		
		254TC	6-10	4	Hex Head 1/4 -20 UNC x 2.5" SAE 5, Z.P. for GA/GB			YES		
		182TC	2	4	Hex Head 1/4 -20 UNC x 2.5" SAE 5, Z.P. for G05/G22			YES		
90f	Washer for motor bolt pos. 90a to slider pos. 90b	56C	2/1	4	5/16" SAE, Zinc plated			YES		
		182/213	2-5	4	3/8" SAE, Zinc plated			YES		
		254-284	6-12	4	1/2" SAE, Zinc plated			YES		
100	Priming/Vent Plug O-ring		2/1-17	■ EPDM, ϕ 16.3 x 2.4mm	00ID1288		YES			
			2/1-17	■ FKM, ϕ 16.3 x 2.4mm	00ID2231		YES			
100a	Priming/Vent Plug O-ring (option)		2/1-17	■ FFKM, ϕ 16.3 x 2.4mm	96428162	96587720	YES			
			2/1-17	■ FXM, ϕ 16.3 x 2.4mm	96442869	96587721	YES			
105(b)	Shaft Seal HQBE		2/1-17	***	SiC, Carbon with resin-impregnated, EPDM	96484076		YES		
			2/1-17	***	SiC, Carbon with resin-impregnated, FKM	96484077		YES		
	Shaft Seal HQQE		2/1-17	***	SiC, SiC, EPDM	96484071		YES		
	Shaft Seal HQQV		2/1-17	***	SiC, SiC, FKM	96484072		YES		
	Shaft Seal HQQF (option)		2/1-17	***	SiC, SiC, FXM	96484075		YES		
	Shaft Seal HQQK (option)		2/1-17	***	SiC, SiC, FFKM	96484074		YES		
	Shaft Seal HUBE		2/1-17	***	TC, Carbon with resin-impregnated, EPDM	96483952		YES		
	Shaft Seal HUBV		2/1-17	***	TC, Carbon with resin-impregnated, FKM	96483964		YES		
	Shaft Seal HUBF (option)		2/1-17	***	TC, Carbon with resin-impregnated, FXM	96483966		YES		
	Shaft Seal HUBK (option)		2/1-17	***	TC, Carbon with resin-impregnated, FFKM	96483965		YES		
	Shaft Seal HUUE		2/1-17	***	TC, TC, EPDM	96483967		YES		
	Shaft Seal HUUV		2/1-17	***	TC, TC, FKM	96483968		YES		
	Shaft Seal HUUF (option)		2/1-17	***	TC, TC, FXM	96484070		YES		
	Shaft Seal HUUK (option)		2/1-17	***	TC, TC, FFKM	96483969		YES		
117	Pipe for Air Vent 118		2/1-17	1	G1/2, 316SS	96525189		YES		
117a	Counter Nut for Pipe 117		2/1-17	2	NV24, internal G1/2, 316SS	96506709		YES		
118	Air Vent		2/1-17	1	Air vent type 1511-AV - 5/6430	96427483		YES		
201	Flange, Suction		2/1-7	1	1.5" 150#, 4 x 1/2"-13 UNC threaded flange, e-coat	96922828		No		
			2/1-7	1	2" 150#, 4 x 5/8"-11 UNC threaded flange, e-coat	96922829		No		
			2/1-7	1	3" 150#, 8 x non thread flange, electrocoated	350085		No		
			8-17	1	1.5" 300#, 4 x 3/4"-10 UNC threaded flange, e-coat	96956145		No		
			8-17	1	2" 300#, 8 x 5/8"-11 UNC threaded flange, e-coat	96956146		No		
			8-17	1	3" 300#, 8 x 3/4"-10 UNC threaded flange, e-coat	96956147		No		
201a	Flange, Discharge		2/1-7	1	1" 150#, 4 x 1/2"-13 UNC threaded flange, e-coat	96922827		No		
			2/1-7	1	1.5" 150#, 4 x 1/2"-13 UNC threaded flange, e-coat	96922828		No		
			2/1-7	1	2" 150#, 4 x 5/8"-11 UNC threaded flange, e-coat	96922829		No		
			8-17	1	1" 300#, 4 x 5/8"-11 UNC threaded flange, e-coat	96956144		No		
			8-17	1	1.5" 300#, 4 x 3/4"-10 UNC threaded flange, e-coat	96956145		No		
			8-17	1	2" 300#, 8 x 5/8"-11 UNC threaded flange, e-coat	96956146		No		
	8-17	1	3" 300#, 8 x 3/4"-10 UNC threaded flange, e-coat	96956147		No				
203	Retaining ring for 201, 1.5" flange		2/1-17	1	ϕ 72.6mm x 5mm	96475395	96547671	No		
			2/1-17	1	ϕ 86.6mm x 5mm	96475396		No		
			2/1-17	1	ϕ 121mm x 6mm	350009		No		
203a	Retaining ring for 201a, 1.0" flange		2/1-17	1	ϕ 53.6mm x 3.2mm	96439718		No		
			2/1-17	1	ϕ 72.6mm x 5mm	96475395	96547671	No		
			2/1-17	1	ϕ 86.6mm x 5mm	96475396		No		
			2/1-17	1	ϕ 121mm x 6mm	350009		No		

Due to part changes over time, all position numbers (1-203) may not be used.

This column indicates which pump model uses the spare part. If blank, the part is used in all models.

B.O.M. Ref. No. is only available if it is not included in a kit or does not have a material number listed. If it is included in a kit (YES), or has a material number, request one of these numbers. If not included in a kit (NO), but has a Material Number, use Material Number.

NOTES:

The first number is total number of impellers.
An exceptions to this format is the CR15-1.

Example: A CR15-1 is actually a CR15-2/1. It has 2 chambers and 1 impeller (de-staged by 1), and uses a 2 stage shaft.

YES* If the YES is followed by an asterisk, the part in kit is made of upgraded material (example 304 SS changed to 316 SS for Pos. 4a)

* 1 2 to 17 stage use Pos. 3
2 /1 stage use Pos. 3a
De-staging by two impellers use one 3a and one 3b

^^^ 2/1 and 2 stage = use 0
3 to 6 stage = # of stages less 2
7 to 10 stage = # of stages less 3
12 to 17 stage = # of stages less 4
De-staging by two impellers use 1 less than stated above.

^^^^ 2/1 to 6 stage = use 1
7 to 10 stage = use 2
12 to 17 stage = use 3

^^^^^ 2/1-2, 4, 6, 8, and 12 stage = use 1
Exception to the above: Low NPSH models

2, 4, 6, 8, 9 to 17 stage = use 1
3, 5 and 7 stage = use 2

^^^^^^ 2/1 to 6 stage = use 1
7 to 10 stage = use 2
12 to 17 stage = use 3
Exception to the above: Low NPSH models

2 to 6 stage = use 0
7 to 10 stage = use 1
12 to 17 stage = use 2

^+ NPSH Models only
3, 6, 8, 9, & 17 stage = use 1
2, 4, 6, 10, 12 & 14 stage = use 2

^- NPSH Models only
3, 6, 8, 9, & 17 stage = use 1

* Standard use 1. Back-to-Back or Tandem pump version use 2

** Standard use 1. Back-to-Back or Tandem pump version use 2

*** Standard use 1. Back-to-Back or Tandem pump version use 2

⊖ Standard use 1. CR(I,N)15-2/1 replace with Pos. 69a

stgs- Use the number of stages in standard models,
less one in de-staged and Low NPSH models.

imp.- Use the number of stages in standard models,
less one in de-staged and Low NPSH models.

◆◆ Standard use 2. Back-to-Back or Tandem pump version use 3,
Cool Top use 1 EPDM or FKM and 2 FXM in lower hot section of pump.

■ Standard use 2. Back-to-Back or Tandem pump version use 6

L* Is a tip-to-tip length which includes the bends for slot engagement.
Bottom tip to bend is 4.5mm shorter than the tip-to-tip value.

Key to Symbols

KITS	Recommended spare part
∅	Diameter
ANSI	American National Standards Institute
CPL	Complete Assembly – these parts consist of more than one component
EPDM	Ethylene Propylene (also known as EPR and EPT) – an elastic substance similar to rubber
FFKM	Kalrez Elastomer made by DuPont
FKM	Fluoro Elastomer (generic for Viton)
FXM	Fluoraz Elastomer made by Greene Tweed
IEC	International Electro-technical Commission (European standards)
M	International standard thread size designation (thread diameter in mm)
mm	Millimeter
MG	Identifies Grundfos motor type/size
N	Stamp code for 316 SS or similar
NBR	Buna - N (also known as Nitrile) – an elastic substance similar to rubber
NEMA	National Electrical Manufacturers Association
NPSH	Net Positive Suction Head
PTFE	Teflon
SiC	Silicon Carbide
SS	Stainless Steel
TC	Tungsten Carbide
UNC	Unified National Coarse – a standard for threads on bolts

Spare Part Kits CR15-H

SPARE PART KITS

Since certain pump parts can be expected to exhibit wear at the same time as related pump parts, they have been grouped into the following kits for your convenience. The numbers indicate the quantity of the part within each kit. Please order these kits using the kit material number at the top of the columns.

CR(I, N)15 SIC Bearing				Kit No. 96511824		
WEAR PARTS KIT 1-6				Kit No. 96511827		
WEAR PARTS KIT 7-10				Kit No. 96511830		
WEAR PARTS KIT 12-17				Kit No. 96511830		
Pos. No.	Description	Material No.	Qty. Included in each Kit			
4a	Chamber N Cpl. w/Pos.45 & 65 & SIC Bearing	96747343	1	2	3	
26b	Bolt for strap, M8 x 25mm, 316 SS w/Delta Seal	96416603	2	2	2	
26c	Washer for strap, A4, $\phi 16.0/\phi 8.4 \times 1.6$ mm	00ID3284	2	2	2	
45	Neck Ring, $\phi 75.8 \times \phi 59.95 \times 1.5$ mm, PTFE-Acoflon 100	96487400	5	8	14	
47a	Bearing Ring/Spacer, SiC 150, $\phi 23.4 \times 14$ mm	96763100	1	2	3	
49c	Wear Ring, N, $\phi 59.85 \times 7.4$ mm	330054	6	10	17	
61	Stop Spacer, $\phi 29.0 \times \phi 18.4 \times \phi 17.6 \times \phi 15.0 \times 9.5 \times 2$ mm	330072	1	1	1	
62	Stop Ring, $\phi 16.6 \times \phi 15.0 \times 1.6$ mm	330057	1	1	1	
64a	Spacing Pipe, $\phi 21.5 \times \phi 17.5 \times 17.0$ mm	331416	1	2	3	
64b	Clamp, Splined, $\phi 21.5 \times \phi 17.6 \times \phi 15.0 \times 5.0$ mm	331401	1	1	1	
64c	Clamp, Splined, $\phi 21.5 \times \phi 17.6 \times \phi 15.0 \times 12.7$ mm	96496311	1	1	1	
64d	Spacing Pipe, $\phi 21.5 \times \phi 17.5 \times 12.6$ mm	96491535	1	2	3	
65	Neck Ring Retainer, N, $\phi 78.8 \times \phi 61.5 \times 6.7$ mm	330059	5	8	14	
66	Lock Washer Set of 2, $\phi 13.5 \times \phi 8.2 \times 2.6$ mm	96417297	1	1	1	
67	Lock Nut, 13mm x M8	96496488	1	1	1	

STACK KITS (SiC) Pos.80	
Model	Material No.
CR15-2/1	96491736
CR15-2	96491737
CR15-3	96491738
CR15-4	96491739
CR15-5	96491740
CR15-6	96491741
CR15-7	96491742
CR15-8	96491743
CR15-9	96491744
CR15-10	96491745
CR15-12	96491746
*** CR15-14	96491747
*** CR15-17	96491748

***For 4 pole & 50 Hz. operation only.

CR(I, N)15 Grafion Bearing				Kit No. 96511826		
WEAR PARTS KIT 1-6				Kit No. 96511829		
WEAR PARTS KIT 7-10				Kit No. 96511832		
WEAR PARTS KIT 12-17				Kit No. 96511832		
Pos. No.	Description	Material No.	Qty. Included in each Kit			
4a	Chamber N Cpl. w/Pos.45 & 65 & Grafion Bearing	96492510	1	2	3	
26b	Bolt for strap, M8 x 25mm, 316 SS w/Delta Seal	96416603	2	2	2	
26c	Washer for strap, A4, $\phi 16.0/\phi 8.4 \times 1.6$ mm	00ID3284	2	2	2	
45	Neck Ring, $\phi 75.8 \times \phi 59.95 \times 1.5$ mm, PTFE-Acoflon 100	96487400	5	8	14	
47a	Bearing Ring/Spacer, TC, $\phi 21.9 \times \phi 17.6 \times \phi 15.0 \times 14$ mm	330085	1	2	3	
49c	Wear Ring, N, $\phi 59.85 \times 7.4$ mm	330054	6	10	17	
61	Stop Spacer, $\phi 29.0 \times \phi 18.4 \times \phi 17.6 \times \phi 15.0 \times 9.5 \times 2$ mm	330072	1	1	1	
62	Stop Ring, $\phi 16.6 \times \phi 15.0 \times 1.6$ mm	330057	1	1	1	
64a	Spacing Pipe, $\phi 21.5 \times \phi 17.5 \times 17.0$ mm	331416	1	2	3	
64b	Clamp, Splined, $\phi 21.5 \times \phi 17.6 \times \phi 15.0 \times 5.0$ mm	331401	1	1	1	
64c	Clamp, Splined, $\phi 21.5 \times \phi 17.6 \times \phi 15.0 \times 12.7$ mm	96496311	1	1	1	
64d	Spacing Pipe, $\phi 21.5 \times \phi 17.5 \times 12.6$ mm	96491535	1	2	3	
65	Neck Ring Retainer, N, $\phi 78.8 \times \phi 61.5 \times 6.7$ mm	330059	5	8	14	
66	Lock Washer Set of 2, $\phi 13.5 \times \phi 8.2 \times 2.6$ mm	96417297	1	1	1	
67	Lock Nut, 13mm x M8	96496488	1	1	1	

CR(I, N)15 Bronze Bearing				Kit No. 96511825		
WEAR PARTS KIT 1-6				Kit No. 96511828		
WEAR PARTS KIT 7-10				Kit No. 96511831		
WEAR PARTS KIT 12-17				Kit No. 96511831		
Pos. No.	Description	Material No.	Qty. Included in each Kit			
4a	Chamber N Cpl. w/Pos.45 & 65 & Bronze Bearing	96492512	1	2	3	
26b	Bolt for strap, M8 x 25mm, 316 SS w/Delta Seal	96416603	2	2	2	
26c	Washer for strap, A4, $\phi 16.0/\phi 8.4 \times 1.6$ mm	00ID3284	2	2	2	
45	Neck Ring, $\phi 75.8 \times \phi 59.95 \times 1.5$ mm, PTFE-Acoflon 100	96487400	5	8	14	
47a	Bearing Ring/Spacer, TC, $\phi 21.9 \times \phi 17.6 \times \phi 15.0 \times 14$ mm	330085	1	2	3	
49c	Wear Ring, N, $\phi 59.85 \times 7.4$ mm	330054	6	10	17	
61	Stop Spacer, $\phi 29.0 \times \phi 18.4 \times \phi 17.6 \times \phi 15.0 \times 9.5 \times 2$ mm	330072	1	1	1	
62	Stop Ring, $\phi 16.6 \times \phi 15.0 \times 1.6$ mm	330057	1	1	1	
64a	Spacing Pipe, $\phi 21.5 \times \phi 17.5 \times 17.0$ mm	331416	1	2	3	
64b	Clamp, Splined, $\phi 21.5 \times \phi 17.6 \times \phi 15.0 \times 5.0$ mm	331401	1	1	1	
64c	Clamp, Splined, $\phi 21.5 \times \phi 17.6 \times \phi 15.0 \times 12.7$ mm	96496311	1	1	1	
64d	Spacing Pipe, $\phi 21.5 \times \phi 17.5 \times 12.6$ mm	96491535	1	2	3	
65	Neck Ring Retainer, N, $\phi 78.8 \times \phi 61.5 \times 6.7$ mm	330059	5	8	14	
66	Lock Washer Set of 2, $\phi 13.5 \times \phi 8.2 \times 2.6$ mm	96417297	1	1	1	
67	Lock Nut, 13mm x M8	96496488	1	1	1	

HQxx SHAFT SEAL KIT, BALANCED CARTRIDGE				Kit No. 96511848		
(Maximum allowed working PSI is 435)				Kit No. 96511849		
(Tandem Seal option Pumps require 2 of each Seal Kit)				Kit No. 96511844		
				Kit No. 96511847		
				Kit No. 96511846		
				Kit No. 96511845		
Pos. No.	Description	Material No.	Qty. Included in each Kit			
105	HQBE	96484076*	1			
	HQBV	96484077*		1		
	HQQE	96484071*			1	
	HQQF	96484075*				1
	HQQK	96484074*				1
	HQQV	96484072*				1
N/A	Grinding Device Tool for Emery Cloth	370711	1	1	1	1
N/A	Emery Cloth	370712	1	1	1	1

* Seal material number includes the Adjusting fork 96483950.

SPARE PART KITS (Continued)

HUxx SHAFT SEAL KIT, BALANCED CARTRIDGE (Maximum allowed working PSI is 435) (Tandem Seal option Pumps require 2 of each Seal Kit)		Kit No.								
		96511836								
		Kit No.	96511839							
		Kit No.	96511838							
		Kit No.	96511837							
		Kit No.	96511840							
		Kit No.	96511843							
		Kit No.	96511842							
		Kit No.	96511841							
Pos. No.	Description	Material No.	Qty. Included in each Kit							
105	HUBE	96483952*	1							
	HUBF	96483966*		1						
	HUBK	96483965*			1					
	HUBV	96483964*				1				
	HUUE	96483967*					1			
	HUUF	96484070*						1		
	HUUK	96483969*							1	
	HUUV	96483968*								1
N/A	Grinding Device Tool for Emery Cloth	370711	1	1	1	1	1	1	1	1
N/A	Emery Cloth	370712	1	1	1	1	1	1	1	1

* Seal material number includes the Adjusting fork 96483950.

Standard CR Gasket Kits

GASKET KIT (EPDM)		Kit No.	96509609							
GASKET KIT (FKM)		Kit No.	96509610							
GASKET KIT (FKM)		Kit No.	96534871							
GASKET KIT (FFKM)		Kit No.	96533374							
GASKET KIT (EPDM)-Double Seal option.		Kit No.	96525433							
GASKET KIT (FKM)-Double Seal option.		Kit No.	96525434							
GASKET KIT (FKM/EPDM)-Double Seal option.		Kit No.	96525435							
GASKET KIT (FFKM/FKM)-Double Seal option.		Kit No.	96525436							
GASKET KIT (FKM/EPDM)-Cool Top option.		Kit No.	96525432							
Pos. No.	Description	Material No.	Qty. Included in each Kit							
37	Sleeve O-ring, EPDM (WRC NSF), ϕ 170.7 x 3.3mm	96483101	2				3		1	1
	Sleeve O-ring, FKM, ϕ 170.7 x 3.3mm	96483102		2				3		1
37b	Sleeve O-ring, FKM, ϕ 171.25 x 3.3mm	96483109			2				2	2
	Sleeve O-ring, FFKM, ϕ 170.7 x 3.3mm	96483140				2				
37c	Disc Plate O-ring, EPDM, ϕ 155.0 x 3.0mm	96509703								1
	Disc Plate O-ring, FKM, ϕ 155.0 x 3.0mm	96480168								
38, 100(a,b)	Drain Plug O-ring, EPDM, ϕ 16.3 x 2.4mm	00ID1288	3				7		4	1
	Drain Plug O-ring, FKM, ϕ 16.3 x 2.4mm	00ID2231		3				7		4
	Drain Plug O-ring, FFKM, ϕ 16.3 x 2.4mm	96442869			3					3
	Drain Plug O-ring, FFKM, ϕ 16.3 x 2.4mm	96428162				3			3	
38a	Drain Plug O-ring, EPDM, ϕ 5.3 x 2.4mm	00ID2142	1				1			
	Drain Plug O-ring, FKM, ϕ 5.3 x 2.4mm	00ID3945						1		
	Drain Plug O-ring, FKM, ϕ 5.3 x 2.4mm	96511292			1					1
	Drain Plug O-ring, FFKM, ϕ 5.3 x 2.4mm	96511293				1			1	1
39	Flange O-ring, EPDM, ϕ 90 x 3mm	96496200	2				2			
	Flange O-ring, FKM, ϕ 90 x 3mm	00ID2856		2				2		
	Flange gasket, Fiber, 122mm x ϕ 60 x ϕ 44 x 2mm	420039	2	2		2	2	2	2	2
	Flange gasket, Fiber, ϕ 102 x ϕ 65 x 2mm	330035	2	2	2	2	2	2	2	2
	Flange gasket, Fiber, ϕ 92 x ϕ 49 x 2mm	00ID2582	2	2	2	2	2	2	2	2
60(a)	Stack Compression Spring, EPDM, ϕ 11.0x ϕ 7.0x15.5mm	96503070	4				4			4
	Stack Compression Spring, FKM, ϕ 11.0x ϕ 7.0x15.5mm	96503072		4				4		
	Stack Compression Spring, PTFE, ϕ 11.0x ϕ 7.0x15.5mm	96503071			4	4			4	4
109a	Disc Plate O-ring, EPDM, ϕ 27.5 x 2.75mm	96483103								
	Disc Plate O-ring, FKM, ϕ 27.5 x 2.75mm	96483104								
	Disc Plate O-ring, FKM, ϕ 27.5 x 2.75mm	96483141								1

Add to above standard gaskets to complete desired CRH, CRNH model

Kit, O-ring EPDM CR-H, CRN-H10/15/20/32 GA/G05/G22		Kit No.	96922800							
Kit, O-ring FKM CR-H, CRN-H10/15/20/32 GA/G05/G22		Kit No.	96922802							
Kit, O-ring FFKM CR-H, CRN-H10/15/20/32 GA/G05/G22		Kit No.	96922816							
Kit, O-ring EPDM CR-H, CRN-H10/15/20/32 GB-G60		Kit No.	96922822							
Kit, O-ring FKM CR-H, CRN-H10/15/20/32 GB-G60		Kit No.	96956134							
Kit, O-ring FFKM CR-H, CRN-H10/15/20/32 GB-G60		Kit No.	96956135							
Kit, O-ring FKM CR-H, CRN-H10/15/20/32 GB-G60		Kit No.	96923565							
Kit, O-ring FFKM CR-H, CRN-H10/15/20/32 GB-G60		Kit No.	96923571							
Pos. No.	Description	Material No.	Qty. Included in each Kit							
72a	O-ring, 2-268 EPDM ϕ 215.5 x 3.5mm	95922038	1				1			
	O-ring, 2-268 Viton ϕ 215.5 x 3.5mm	95922039		1				1		
	O-ring, 2-268 Fluoraz ϕ 215.5 x 3.5mm	95922040			1				1	
	O-ring, 2-268 FFKM ϕ 215.5 x 3.5mm	95131208				1				1
39b	O-ring, 2-230 EPDM ϕ 63.1 x 3.5mm	95922032	1							
	O-ring, 2-230 Viton ϕ 63.1 x 3.5mm	95922033		1						
	O-ring, 2-230 Fluoraz ϕ 63.1 x 3.5mm	95922034			1					
	O-ring, 2-230 FFKM ϕ 63.1 x 3.5mm	95131189				1				
	O-ring, Parker 2-238 EPDM ϕ 88.5 x 3.5mm	95922035					1			
	O-ring, 2-238 Viton ϕ 88.5 x 3.5mm	95922036						1		
	O-ring, 2-238 Fluoraz ϕ 88.5 x 3.5mm	95952037							1	
	O-ring, 2-238 FFKM ϕ 88.5 x 3.5mm	95131207								1

NEMA COUPLING KIT

ϕ 15.9/ ϕ 16		Kit No.	96511353							
ϕ 28.6/ ϕ 16 (Option- High)		Kit No.	96753660							
ϕ 34.9/ ϕ 16 (Option- High)		Kit No.	96753661							
ϕ 41.3/ ϕ 16		Kit No.	96511356							
Pos. No.	Description	Material No.	Qty. Included in each Kit							
9	Allen Screw, M6 x 20mm, Delta Seal	00ID7899	4							
	Allen Screw, M10 x 25mm, Delta Seal	00ID7901								
10	Shaft Pin, ϕ 5 x 26mm, Stainless	310192	1	1						1
10a	Coupling, Half set, 56C, 1/3 - 2HP, ϕ 15.8 / ϕ 16	96516777	1							
	Cplg. Half set, 182/184TC, 3-SHP, High, ϕ 28.5/ ϕ 16	96516009		1						
	Cplg. Half set, 213TC, 7.5-10HP, High, ϕ 34.9/ ϕ 16	96516770			1					
	Cplg. Half set, 254TC-284/286TSC 15-25HP, ϕ 41.2/ ϕ 16	96516771					1			
N/A	Adjusting Fork	96483950	1							1

Spare Part Kits CR15-H

SPARE PART KITS (Continued)

COUPLING GUARD KIT		Kit No. 96509612	
NEMA 56C, 1/3-2HP		Kit No. 96509614	
Pos. No.	Description	Material No.	Qty. Included in each Kit
7	Coupling Guard, W=127mm x H=90.5mm	96491002	2
	Coupling Guard, W=157mm x H=171mm	96490656	2
7a	Screw comb.slot torx/straight slot 4 x 8mm	96488481	4

Air Vent Kit - Horizontal Units		Kit No. 91136720	
CR-H, CRN-H15 to 20		Kit No. 91136720	
Pos. No.	Description	Material No.	Qty. Included in each Kit
117	Air Vent Pipe, short for 118, G1/2, 60x43	96525189	1
117a	Counter Nut for Pipe 117, G1/2	96506709	2
118	Air vent type 1511-AV - 5/6430	96427483	1

ANSI COMPANION FLANGES FOR MEDIUM CR-H		1.5"		1"	
Pos. No.	Description	Material No.	Qty.	Material No.	Qty.
Kit No. 97642565 1.5" x 1" CI BLACK for GA 125#					
N/A	Bolts	97693886	4	97693886	4
N/A	Flanges	91123167	1	96983489	1
N/A	Gasket	91123168	1	97692916	1
Kit No. 96967594 1.5" x 1" CI BLACK for GA 250#					
N/A	Bolts	91137423	4	91130816	4
N/A	Flanges	96983494	1	96983493	1
N/A	Gasket	97694408	1	97694407	1
Kit No. 97642567 2" x 1" CI BLACK for G05 125#					
N/A	Bolts	91130816	4	97526838	4
N/A	Flanges	96983491	1	96983489	1
N/A	Gasket	97692909	1	97692916	1
Kit No. 96967595 2" x 1" CI BLACK for G05 250#					
N/A	Bolts	91120660	8	91130816	4
N/A	Flanges	00ID2743	1	96983493	1
N/A	Gasket	00ID2747	1	97694407	1
Kit No. 97642571 3" x 1.5" CI BLACK for GB, G50 and G20 125#					
N/A	Nuts	00ID1510	4	none	0
N/A	Bolts	00ID1921	4	97693886	4
N/A	Flanges	00ID1925	1	91123167	1
N/A	Gasket	560185	1	91123168	1
Kit No. 97658571 3" x 1.5" CI BLACK for GB, G50 and G20 250#					
N/A	Bolts	91120662	8	91137423	4
N/A	Flanges	91121943	1	96983494	1
N/A	Gasket	91122339	1	97694408	1
Kit No. 97642574 3" x 2" CI BLACK for GC, G10, G60 and G30 125#					
N/A	Nuts	00ID1510	4	none	0
N/A	Bolts	00ID1921	4	91130816	4
N/A	Flanges	00ID1925	1	96983491	1
N/A	Gasket	560185	1	97692909	1
Kit No. 97658572 3" x 2" CI BLACK for GC, G10, G60 and G30 250#					
N/A	Bolts	91120662	8	91120660	8
N/A	Flanges	91121943	1	00ID2743	1
N/A	Gasket	91122339	1	00ID2747	1
Kit No. 97642568 2" x 2" CI BLACK for G22 125#					
N/A	Bolts	91130816	4	91130816	4
N/A	Flanges	96983491	1	96983491	1
N/A	Gasket	97692909	1	97692909	1
Kit No. 9775976 2" x 2" CI BLACK for G22 250#					
N/A	Bolts	91120660	8	91120660	8
N/A	Flanges	00ID2743	1	00ID2743	1
N/A	Gasket	00ID2747	1	00ID2747	1

ACCESSORIES (Continued)

ANSI COMPANION FLANGES FOR MEDIUM CR-H, CRN-H					
Kit No. 97698645		1.5" x 1" 316SS for GA 150#		1"	
Pos. No.	Description	Material No.	Qty.	Material No.	Qty.
N/A	Bolts	97743748	4	97743748	4
N/A	Flanges	96983498	1	96983497	1
N/A	Gasket	97694409	1	97692916	1
Kit No. 97698646		1.5" x 1" 316SS for GA 300#		1"	
Pos. No.	Description	Material No.	Qty.	Material No.	Qty.
N/A	Bolts	91143035	8	91143029	4
N/A	Flanges	96983496	1	96983495	1
N/A	Gasket	97694408	1	97694407	1
Kit No. 97698647		2" x 1" 316SS for G05 150#		1"	
Pos. No.	Description	Material No.	Qty.	Material No.	Qty.
N/A	Bolts	91143029	4	97743748	4
N/A	Flanges	96983499	1	96983497	1
N/A	Gasket	97692909	1	97692916	1
Kit No. 97698648		2" x 1" 316SS for G05 300#		1"	
Pos. No.	Description	Material No.	Qty.	Material No.	Qty.
N/A	Bolts	97743741	8	91143029	4
N/A	Flanges	00ID7240	1	96983495	1
N/A	Gasket	00ID2747	1	97694407	1
Kit No. 97698649		3" x 1.5" 316SS for GB, G50 and G20 150#		1.5"	
Pos. No.	Description	Material No.	Qty.	Material No.	Qty.
N/A	Nuts	91143011	4	none	0
N/A	Bolts	91143031	4	97743748	4
N/A	Flanges	91121944	1	96983498	1
N/A	Gasket	560185	1	97694409	1
Kit No. 97698650		3" x 1.5" 316SS for GB, G50 and G20 300#		1.5"	
Pos. No.	Description	Material No.	Qty.	Material No.	Qty.
N/A	Bolts	91143038	8	91143035	4
N/A	Flanges	91121945	1	96983496	1
N/A	Gasket	91122339	1	97694408	1
Kit No. 97698651		3" x 2" 316SS for GC, G10, G60 and G30 150#		2"	
Pos. No.	Description	Material No.	Qty.	Material No.	Qty.
N/A	Nuts	91143011	4	none	0
N/A	Bolts	91143031	4	91143029	4
N/A	Flanges	91121944	1	96983499	1
N/A	Gasket	560185	1	97692909	1
Kit No. 97698652		3" x 2" 316SS for GC, G10, G60 and G30 300#		2"	
Pos. No.	Description	Material No.	Qty.	Material No.	Qty.
N/A	Bolts	91143038	8	97743741	8
N/A	Flanges	91121945	1	00ID7240	1
N/A	Gasket	91122339	1	00ID2747	1
Kit No. 97743809		2" x 2" 316SS for G22 150#		2"	
Pos. No.	Description	Material No.	Qty.	Material No.	Qty.
N/A	Bolts	91143029	4	91143029	4
N/A	Flanges	96983499	1	96983499	1
N/A	Gasket	97692909	1	97692909	1
Kit No. 97743810		2" x 2" 316SS for G22 300#		2"	
Pos. No.	Description	Material No.	Qty.	Material No.	Qty.
N/A	Bolts	97743741	8	97743741	8
N/A	Flanges	00ID7240	1	00ID7240	1
N/A	Gasket	00ID2747	1	00ID2747	1

Spare Part Kits CR15-H

ACCESSORIES (Continued)

Baseplate Kit		Kit No.					
139		56C for GA/B/C		97534517			
		182TC for GA/B/C		97534518			
XLBP1		56C for GA/B/C		97534573			
		182TC for GA/B/C		97534574			
Pos. No.	Description	Material No.	Qty. Included in each Kit				
90	Baseplate Cpl. 139, L=991* x W=305* x H=106.4768*	96956336	1	1			
	Baseplate Cpl. XLBP1, L=1500* x W=305* x H=106.4768*	96956376			1	1	
N/A	Slider & fastners for 56C (consists of slider & hardware)	96983855	1		1		
N/A	Slider & fastner for 182TC (consists of slider & hardware)	96983858		1		1	
N/A	Hardware Kit -96983855/68/78 (cont. pos.56f, g, 90a,d& f)**	97501470	1		1		
N/A	Hardware Kit -96983858 (cont. pos.56f & g, 90a, d & f)**	97501481		1		1	
56f	Bolt, Hex Head 1/2 -13 UNC x 1" SAE 5, Zinc plated	N/A		2		2	
56g	Washer, 1/2" SAE, Zinc plated	N/A		2		2	
90a	Bolt, Hex Head 5/16 -18 UNC x .75" SAE 5, Zinc plated	N/A		4		4	
	Bolt, Hex Head 3/8 -16 UNC x .5" SAE 5, Zinc plated	N/A		4		4	
90b	Slider, GA/B/C 56C/139BP, L=204* x H=45.5* x W=25.4*	96956339	2		2		
	Slider, GA/B/C 182TC/139 BP, L=230* x H=23* x W=25.4*	96956338		2		2	
90d	Bolt, Hex Head 1/4 -20 UNC x 1" SAE 5, Zinc plated	N/A		4		4	
	Bolt, Hex Head 1/4 -20 UNC x 1.75" SAE 5, Zinc plated	N/A		4		4	
90f	Washer, 5/16" SAE, Zinc plated	N/A		4		4	
	Washer, 3/8" SAE, Zinc plated	N/A		4		4	

* Values in mm, Length (L) is +/- 2mm, Height (H) is +/- 1mm, Width (W). ** Hardware kits 97501470 and 81 are also available for sale.

Baseplate Kit		Kit No.					
148		213TC for GA/B/C		97534520			
		254TC for GA/B/C		97534531			
XLBP2		213TC for GA/B/C		97573875			
		254TC for GA/B/C		97534579			
Pos. No.	Description	Material No.	Qty. Included in each Kit				
90	Baseplate Cpl. 148, L=1219* x W=381* x H=107.9*	96956346	1	1			
	Baseplate Cpl. XLBP2, L=1777.8* x W=381* x H=107.9*	96956377			1	1	
N/A	Slider & fastners for 213TC (consists of slider & hardware)	96983859	1		1		
N/A	Slider & fastner 254TC (cont. of 56k, slider & hardware)	96983862		1		1	
N/A	Hardware Kit -96983859 (consists of pos.56f, g, 90a,d& f)**	97501482	1		1		
N/A	Hardware Kit -96983862 (cont. pos.56f, g & m, 90a, d & f)**	97501483		1		1	
56f	Bolt, Hex Head 1/2 -13 UNC x 1.25" SAE 5, Zinc plated	N/A		2		2	
	Bolt, Hex Head 1/2 -13 UNC x 2.25" SAE 5, Zinc plated	N/A		2		2	
56g	Washer, 1/2" SAE, Zinc plated	N/A		2		2	
56k	Volute Spacer, 148 BP 254T, L=200* x H=25.4* x W=78.2	96956349		1		1	
56m	Slotted Spring Pin ø3/16" x 1" Zinc Plated	N/A		2		2	
90a	Bolt, Hex Head 3/8 -16 UNC x 5/8" SAE 5, Zinc plated	N/A		4		4	
	Bolt, Hex Head 1/2 -13 UNC x 1.5" SAE 5, Zinc plated	N/A		4		4	
90b	Slider, GA/B/C 213TC/148BP, L=252* x H=20* x W=25.4*	96956347	2		2		
	Slider, GA/B/C 254TC/148BP, L=299* x H=20.3* x W=38.1*	96956348		2		2	
90d	Bolt, Hex Head 1/4 -20 UNC x 1.75" SAE 5, Zinc plated	N/A		4		4	
	Bolt, Hex Head 1/4 -20 UNC x 2.5" SAE 5, Zinc plated	N/A		4		4	
90f	Washer, 3/8" SAE, Zinc plated	N/A		4		4	
	Washer, 1/2" SAE, Zinc plated	N/A		4		4	

* Values in mm, Length (L) is +/- 2mm, Height (H) is +/- 1mm, Width (W). ** Hardware kits 97501482 and 83 are also available for sale.

Baseplate Kit		Kit No.					
XLBP4		284TC for GA/B/C		97534594			
Pos. No.	Description	Material No.	Qty. Included in each Kit				
90	Baseplate Cpl. XLBP4, L=2406.4* x W=457.2* x H=194*	96957102		1			
N/A	Slider & fastners for 284TC (consists of slider & hardware)	96983863		1			
N/A	Hardware Kit -96983871 (cont. of pos.56f & g, 90a,d & f)**	97501484		1			
56f	Bolt, Hex Head 1/2 -13 UNC x 1.25" SAE 5, Zinc plated	N/A		2			
56g	Washer, 1/2" SAE, Zinc plated	N/A		2			
90a	Bolt, Hex Head 1/2 -13 UNC x 1.5" SAE 5, Zinc plated	N/A		4			
90b	Slider, GA/B/C, 284TC/153BP, L=366* x H=46* x W=25.4*	96956351		2			
90d	Bolt, Hex Head 1/4 -20 UNC x 2.25" SAE 5, Zinc plated	N/A		4			
90f	Washer, 1/2" SAE, Zinc plated	N/A		4			

* Values in mm, Length (L) is +/- 2mm, Height (H) is +/- 1mm, Width (W). ** Hardware kit 97501484 is also available for sale.

ACCESSORIES (Continued)

Baseplate Kit		Kit No.		
245	56C for G05/10/50/60/70/22/33/44	97534535		
	182TC for G05/10/50/60/70/22/33/44	97534536		
XLBP1		Kit No.		
	56C for G05/10/50/60/70/22/33/44	97534575		
	182TC for G05/10/50/60/70/22/33/44	97534576		
Pos. No.	Description	Material No.	Qty. Included in each Kit	
90	Baseplate Cpl. 245, L=1143* x W=305* x H=106.4768*	96956341	1	1
	Baseplate Cpl. XLBP1, L=1500* x W=305* x H=106.4768*	96956376		
N/A	Slider & fastners for 56C (consists of slider & hardware)	96983868	1	1
N/A	Slider & fastner for 182TC (consists of slider & hardware)	96983869		1
N/A	Hardware Kit -96983855/68/78 (cont. pos.56f, g, 90a,d & f)**	97501470	1	1
N/A	Hardware Kit -96983869/79 (cont. pos.56f & g, 90a, d & f)**	97501488		1
56f	Bolt, Hex Head 1/2 -13 UNC x 1" SAE 5, Zinc plated	N/A	2	2
56g	Washer, 1/2" SAE, Zinc plated	N/A	2	2
90a	Bolt, Hex Head 5/16 -18 UNC x .75" SAE 5, Zinc plated	N/A	4	4
90b	Slider, G05/22 - 56C/245BP, L=204* x H=125.5* x W=25.4*	96956343	2	2
	Slider, G05/22 - 182T/245 BP, L=230* x H=100* x W=25.4*	96956342		2
90d	Bolt, Hex Head 1/4 -20 UNC x 1" SAE 5, Zinc plated	N/A	4	4
	Bolt, Hex Head 1/4 -20 UNC x 2.5" SAE 5, Zinc plated	N/A		4
90f	Washer, 5/16" SAE, Zinc plated	N/A	4	4

* Values in mm, Length (L) is +/- 2mm, Height (H) is +/- 1mm, Width (W). ** Hardware kits 97501470 and 88 are also available for sale.

Baseplate Kit		Kit No.		
252	213TC for G05/10/50/60/70/22/33/44	97534539		
XLBP2		Kit No.		
	213TC for G05/10/50/60/70/22/33/44	97573873		
Pos. No.	Description	Material No.	Qty. Included in each Kit	
90	Baseplate Cpl. 252, L=1321* x W=381* x H=107.9*	96956356	1	1
	Baseplate Cpl. XLBP2, L=1777.8* x W=381* x H=107.9*	96956377		1
N/A	Slider & fastners for 213TC (consists of slider & hardware)	96983870	1	1
N/A	Hardware Kit -96983870/80 (cont. of pos.56f, g, 90a,d & f)**	97501489	1	1
56f	Bolt, Hex Head 1/2 -13 UNC x 1.25" SAE 5, Zinc plated	N/A	2	2
56g	Washer, 1/2" SAE, Zinc plated	N/A	2	2
90a	Bolt, Hex Head 3/8 -16 UNC x 1" SAE 5, Zinc plated	N/A	4	4
90b	Slider, G05/22, 213TC/252BP, L=252* x H=96.5* x W=25.4*	96956357	2	2
90d	Bolt, Hex Head 1/4 -20 UNC x 1.75" SAE 5, Zinc plated	N/A	4	4
90f	Washer, 3/8" SAE, Zinc plated	N/A	4	4

* Values in mm, Length (L) is +/- 2mm, Height (H) is +/- 1mm, Width (W). ** Hardware kit 97501489 is also available for sale.

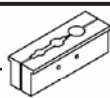
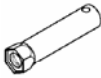


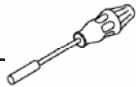
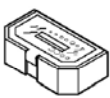


Baseplate Kit		Kit No.		
258	254-286TC for G05/10/50/60/70/22/33/44	97534543		
XLBP3		Kit No.		
	254-286TC for G05/10/50/60/70/22/33/44	97573876		
Pos. No.	Description	Material No.	Qty. Included in each Kit	
90	Baseplate Cpl. 258, L=1473.2* x W=457.2* x H=119.1*	96956360	1	1
	Baseplate Cpl. XLBP3, L=2406.4* x W=457.2* x H=119.1*	96956379		1
N/A	Slider & fastners for 254TC (consists of slider & hardware)	96983871	1	1
N/A	Hardware Kit -96983871 (cont. of pos.56f & g, 90a,d & f)**	97501493	1	1
56f	Bolt, Hex Head 1/2 -13 UNC x 1" SAE 5, Zinc plated	N/A	2	2
56g	Washer, 1/2" SAE, Zinc plated	N/A	2	2
90a	Bolt, Hex Head 1/2 -13 UNC x 1.25" SAE 5, Zinc plated	N/A	4	4
90b	Slider, G05/22, 254TC/258BP, L=354* x H=67* x W=25.4*	96956361	2	2
90d	Bolt, Hex Head 1/4 -20 UNC x 1.75" SAE 5, Zinc plated	N/A	4	4
90f	Washer, 1/2" SAE, Zinc plated	N/A	4	4

* Values in mm, Length (L) is +/- 2mm, Height (H) is +/- 1mm, Width (W). ** Hardware kit 97501493 is also available for sale.

Spare Part Kits • Special Tools CR15-H

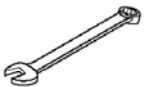






SPECIAL TOOLS

Tools not generally available from normal sources.

Mat. No.	Description and Use	
005V0040	Shaft Holder for Dismantling/Assembly Used to hold and protect the shaft during dismantling and assembly.	
005V2107	Tubular Box Spanner for Shaft Seal 41.0 mm Used to install and remove the shaft seal. Fits a 1/2" drive ratchet.	
005V2101	Ring Insert Tool for Shaft Seal + Square 41 mm x 1/2" drive	
005V0239	Puller for Neck Ring Used to remove the Neck Ring from Chamber.	
005V2011	Bit Holder Used with Bits Kit, 1/4"	
005V2010	Bits Kit NV 5 mm for M6, 1/4" NV 6 mm for M8, 1/4" NV 8 mm for M10, 1/4"	
005V2012	Hexagon Socket Bit Used for Shaft Seal NV 2.5 mm for M5, 1/4"	
005V2127	Bearing Removal Punch	

STANDARD TOOLS

In addition to being available from Grundfos, comparable tools can be purchased through normal sources.

Mat. No.	Description and Use	
005V0083 005V0055 005V0054 005V0122	Wrenches Used to tighten various nuts. NV 10 mm for M6 NV 13 mm for M8 NV 19 mm for M12 NV 24 mm for M16	
005V0292 005V0269 005V0400	Torque Wrench Used to torque various screws. 4-20 Nm, 9 x 12 20-100 Nm, 9 x 12 40-200 Nm, 14x18	
005V0438	Torque Screwdriver Used to tighten various nuts. 1-6 Nm, 1/4"	
005V0295 005V0401	Ratchet Spanner for all Adapters 9 mm x 12 mm, 1/2" 14 mm x 18 mm, 1/2"	
005V0296 005V0297 005V0298	Socket Spanner with Inside Hex NV 5 mm for M6, 1/2" x 1/2" NV 6 mm for M8, 1/2" x 1/2" NV 8 mm for M10, 1/2" x 1/2"	
005V0310 005V0294 005V0271 005V0524	Ring Spanner NV 10 mm, 9 x 12, for M6 NV 13 mm, 9 x 12, for M8 NV 19 mm, 9 x 12, for M12 NV 24 mm, 14 x 18, for M16	
005V2013 005V0267	Socket Spanner NV 13 mm for M8, 1/2" drv. NV 19 mm for M12, 1/2" drv.	

BE > THINK > INNOVATE >

Being responsible is our foundation
Thinking ahead makes it possible
Innovation is the essence



L-CR-SM-052 11/11 US

©2011 Grundfos Pumps Corp.

Subject to alterations.

GRUNDFOS Pumps Corporation
17100 W. 118th Terrace
Olathe, Kansas 66062
Phone: 913.227.3400
Fax: 913.227.3500
www.grundfos.com

GRUNDFOS Canada, Inc.
2941 Brighton Road
Oakville, Ontario L6H 6C9 Canada
Phone: 905.829.9533
Fax: 905.829.9512

Bombas GRUNDFOS de Mexico S.A. de C.V.
Boulevard TLC No. 15
Parque Industrial Stiva Aeropuerto
Apodaca, N.L. Mexico 66600
Phone: 52.81.8144.4000
Fax: 52.81.8144.4010

GRUNDFOS 