

BALDOR® • RELIANCE

Product Information Packet

HDS130-1226BEKNN

HDS130-1226B w/Inc encoder(2500ppr), Key

Specs			
Bearing Grease Type:	Polyrex EM		
Dimensional Drawing Numbers:	HD130LYA001		
Nameplate Amps:	9.2		

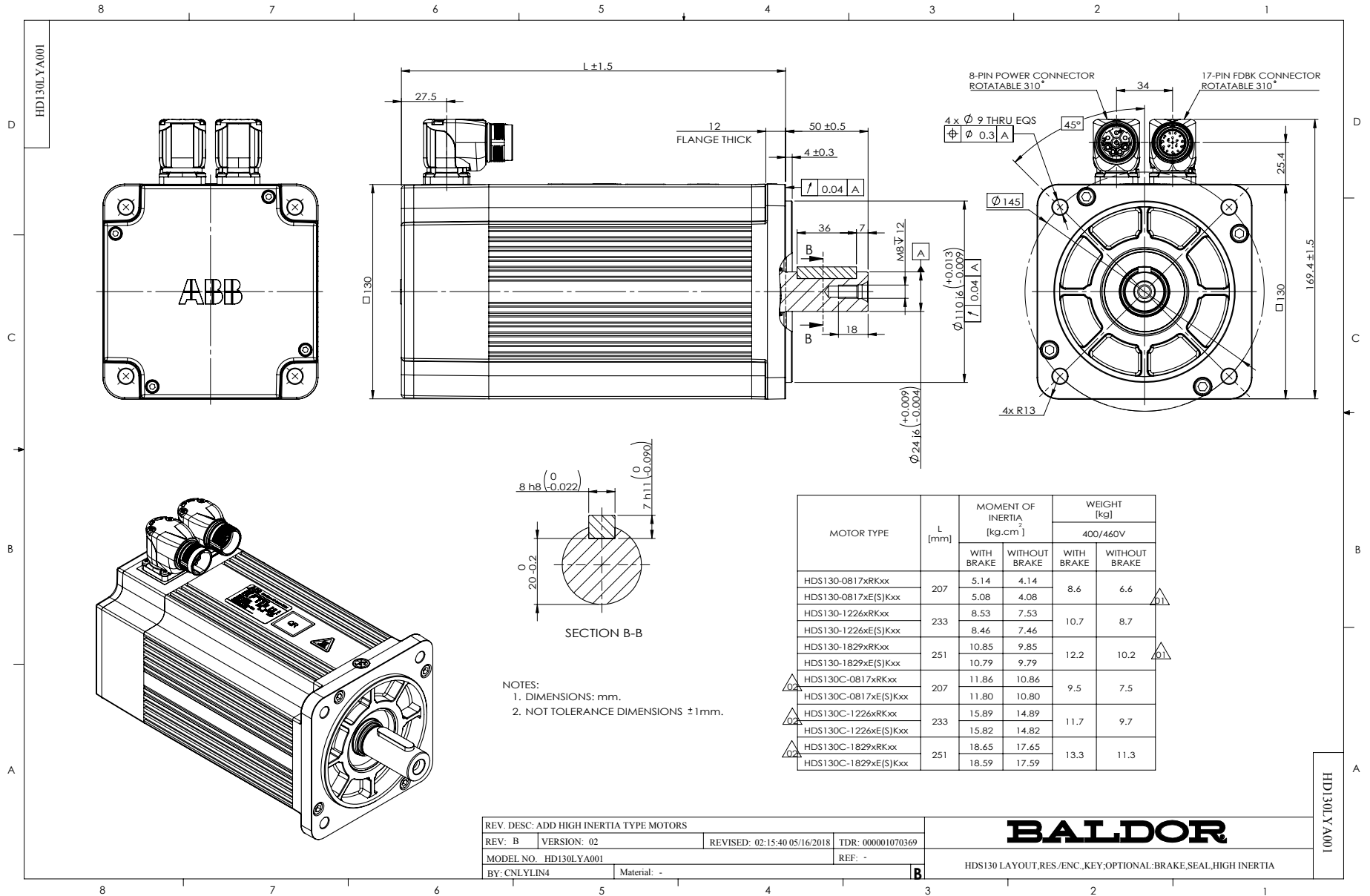
Nameplate LB1577T01

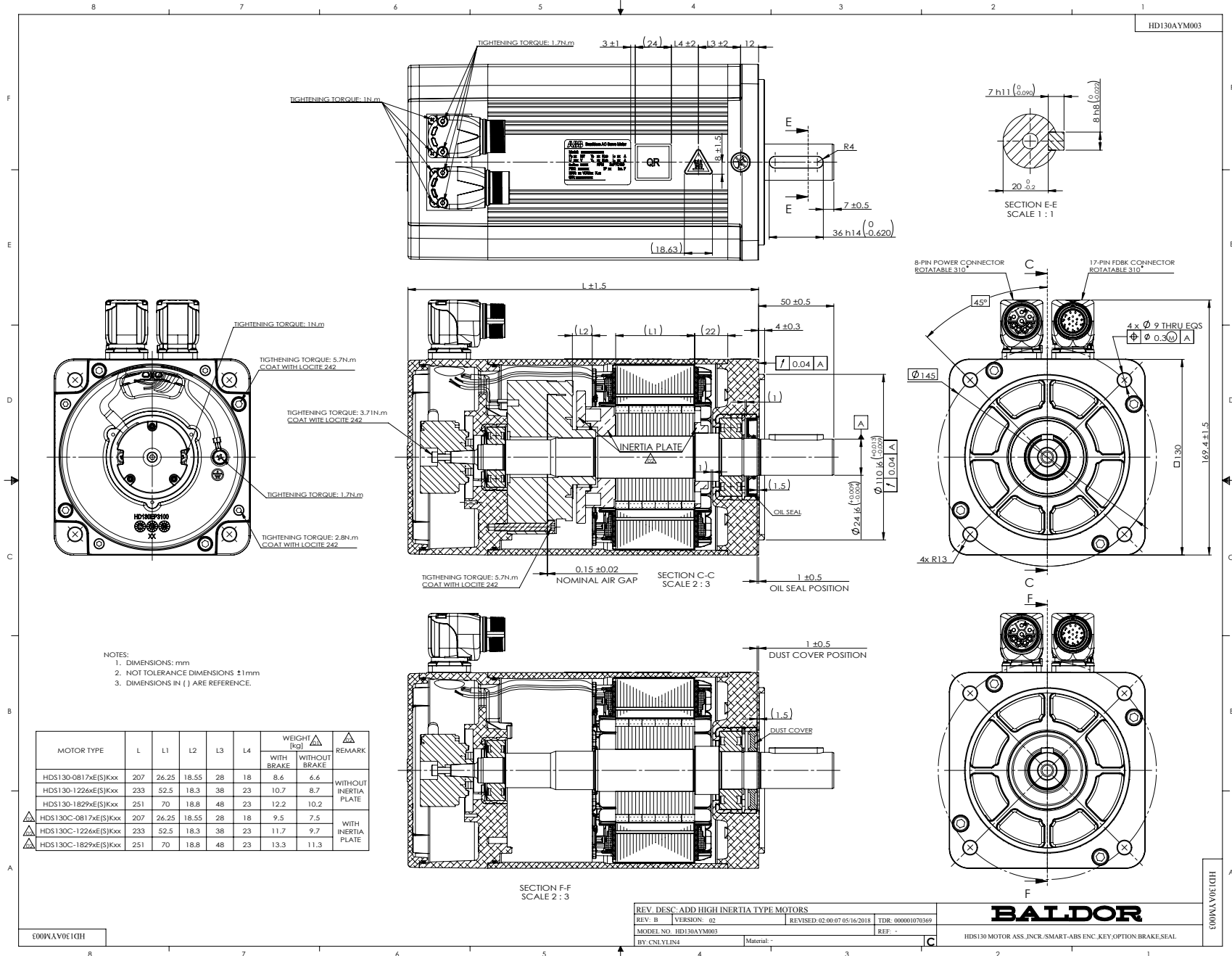
MODEL:	HDS130-1226BEKNN							
PN	2.6	KW		TO	12.0	N.M	IO 9.2	A
U	400	V		TP	36.0	N.M	IP 30.0	A
NN/N MAX	2000/4000			RPM			3XPTC130	
FBK	ENC			IP	IP54		INS F	
BRK:		VDC/				N.M		
S/N								

Parts List		
Part Number	Description	Quantity
HD130SA0003B52	STATOR ASSEMBLY,HDS130,400V,52.5MM	1.000 EA
HD130SH0003A52	SHAFT,ROTOR L52.5MM, HDS130, INCR./SMART	1.000 EA
HD130RA1000A52	ROTOR ASSEMBLY(EXCL. SHAFT),HDS130,SL52.	1.000 EA
HD130EP3101A01	END PLATE,REAR,MACHINED,HDS130,RESOLVER/	1.000 EA
HW5100D40	SPRING WASHER,JB/T7590-D40,H CLASS	1.000 EA
BG6203C08	DEEP GROOVE BALL BEARING,6203-2Z/C3,-30C	1.000 EA
84YN0050J045C	HEX SOCKET HEAD CAP SCREW,M5X45,GB/T70.1	4.000 EA
MJ5004A05CN	#242-21 LOCITE GENERAL PURPOSE MED. STR	0.400 ML
HW5010C25	CIRCLIPS FOR SHAFT-TYPE A,25MM,GB/T 894.	1.000 EA
HD130OE1000E01	SUB-ASSEMBLY, INCR. ENCODER, HDS130	1.000 EA
LD2200A61	GRND LEAD ASSY,8" 18AWG,GRN/YEL,M4 RING	1.000 EA
09YN0040A008	SCREW ASSEMBLY,CROSS RECESSED PAN HEAD,S	1.000 EA
HD130CB0001A01	END COVER,MACHINED,HDS130	1.000 EA
84YN0040J012	SCREW SOCKET HD M4 X 0.7 X 12MM	4.000 EA
WD1456A04	CONNECTOR,POWER,M23,8 PIN,MALE,PHOENIX C	1.000 EA
WD1456A04A01	CRIMP CONTACT,2MM,PHOENIX,SF-20KP004,FOR	4.000 EA
WD1456A04A02	CRIMP CONTACT,1MM,PHOENIX,SF-6CP2000,FOR	4.000 EA
WD1456A06	CONNECTOR,SIGNAL,M23,17 PIN,MALE,PHOENIX	1.000 EA
15YN0030A008	ROUND HEAD, CROSS RECESS SCREW,M3X8,ZINC	8.000 EA
HA71A0A03	DUST COVER, FOR HDS130 DEP	1.000 EA
HW2511C01	KEY,MATRIC,ROUNDED ENDS,8X7X36MM	1.000 EA
LB1577T01	NAMEPLATE,HDS PROTOTYPE	1.000 EA
LB1578	HOT WARING MARK	1.000 EA
LB1579	NO KNOCKING MARK	1.000 EA

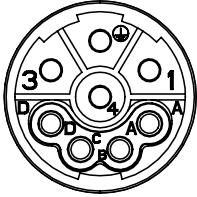
Parts List (continued)		
Part Number	Description	Quantity
LB1580	QR LABEL, HDS	1.000 EA
HA21A8Y90	SHAFT PROTECT SLEEVE FOR HDS130,Y90	1.000 EA
HDS130PA1226	MOTOR PACKING GROUP, HDS130-1226	1.000 EA

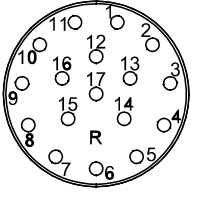
No performance data has been
assigned to this product.





CD2167A03

MOTOR & BRAKE & PTC LEADS			
 <p>WD1456A04 (PLUG SIDE)</p>	PIN	FUNCTION	COLOR
	1	U (R)	BLACK
	2	GROUND (PE)	YELLOW/GREEN
	3	W (T)	BLUE
	4	V (S)	RED
	A	PTC	BLUE BLACK
	B	PTC	BLUE
	C	BRAKE	RED
	D	BRAKE	BLUE

INCREMENTAL ENCODER LEADS						
 <p>WD1456A06 (PLUG SIDE)</p>	PIN	FUNCTION	COLOR	PIN	FUNCTION	COLOR
	1	DC+5V	RED	10	U	BROWN
	2	GND	BLACK	11	\bar{U}	BROWN/BLACK
	3	A	BLUE	12	V	GRAY
	4	\bar{A}	BLUE/BLACK	13	\bar{V}	GRAY/BLACK
	5	B	GREEN	14	W	WHITE
	6	\bar{B}	GREEN/BLACK	15	\bar{W}	WHITE/BLACK
	7	Z	YELLOW	16	-	-
	8	\bar{Z}	YELLOW/BLACK	17		
	9	-	-			

REV. DESC: CORRECTED PTC THERMISTER LEAD COLOR

REV: C VERSION: 03 REVISED: 08:59:39 06/23/2017 TDR: 000001025915

CD2167A03

MODEL NO. CD2167A03

REF: -

BY: CNSESU2

Material: -

BALDOR

CONNECTION DIAGRAM, POWER & INC. ENCODER

CD2167A03