

# BALDOR® • RELIANCE

## Product Information Packet

# HDS130-1829CGKNN

HDS130-1829C w/Absolute singl-turn (DSL)

Specs			
Bearing Grease Type:	Polyrex EM		
Dimensional Drawing Numbers:	HD130LYA002		
Nameplate Amps:	13		

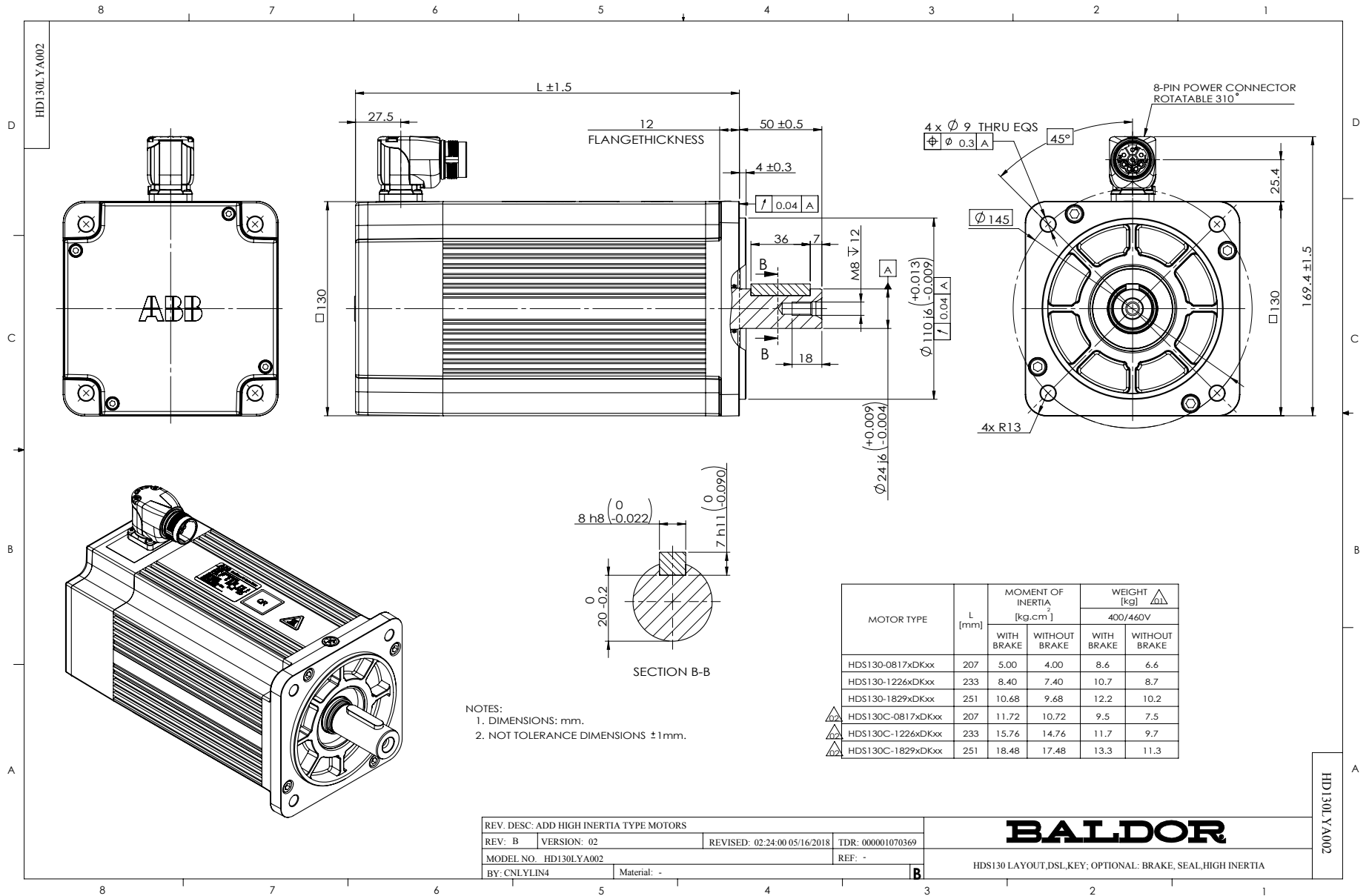
## Nameplate LB1577T01

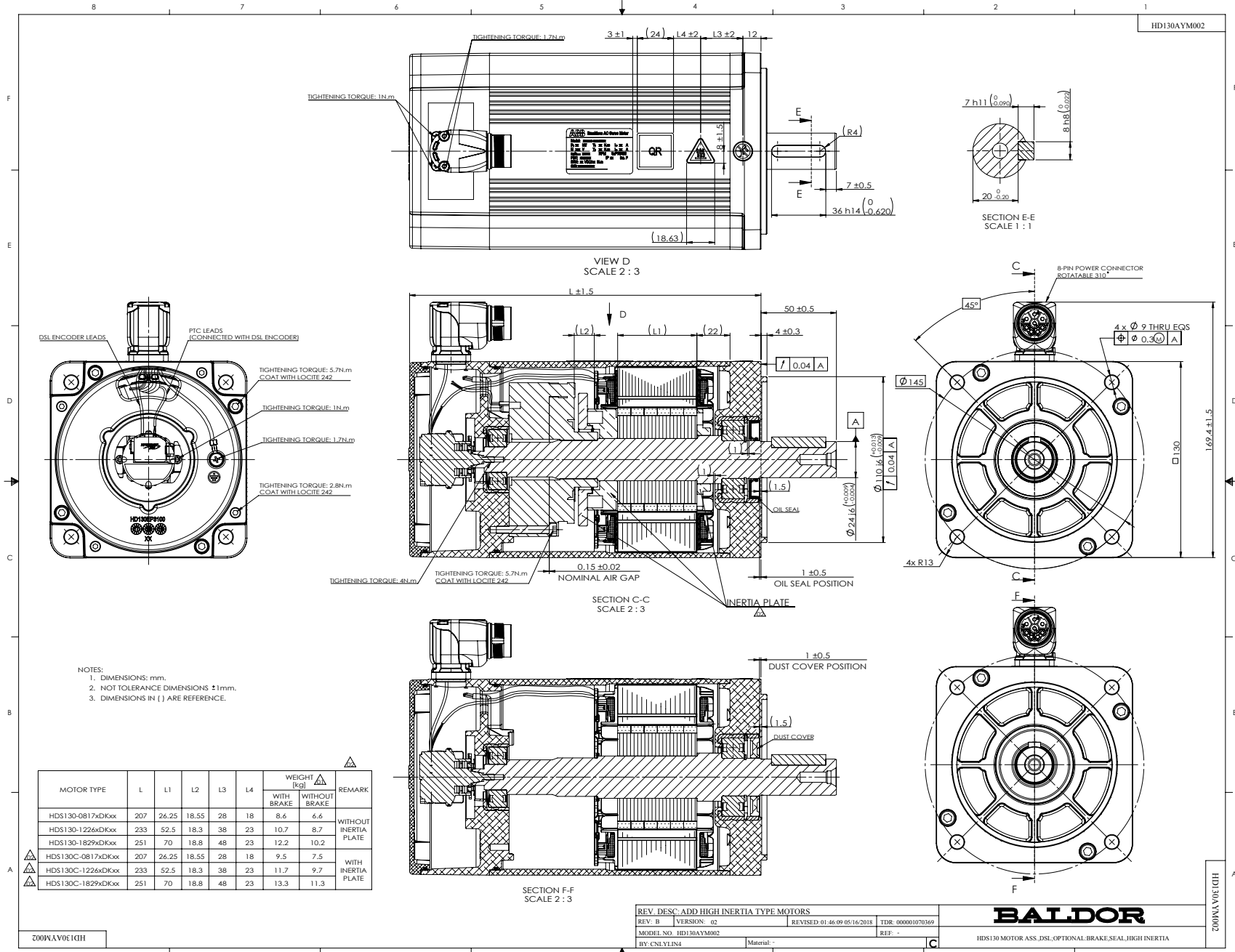
<b>MODEL:</b>	HDS130-1829CGKNN								
<b>PN</b>	2.9	<b>KW</b>		<b>TO</b>	18.0	<b>N.M</b>	<b>IO</b> 13	<b>A</b>	
<b>U</b>	460	<b>V</b>		<b>TP</b>	54.0	<b>N.M</b>	<b>IP</b> 42.0	<b>A</b>	
<b>NN/N MAX</b>	1500/4000			<b>RPM</b>			<b>3XPTC130</b>		
<b>FBK</b>	S.DSL			<b>IP</b>	IP54		<b>INS F</b>		
<b>BRK:</b>		<b>VDC/</b>				<b>N.M</b>			
<b>S/N</b>									

Parts List		
Part Number	Description	Quantity
HD130SA0003C70	STATOR ASSEMBLY,HDS130,460V,70MM	1.000 EA
HD130SH0002A70	SHAFT,ROTOR L70MM, HDS130, DSL	1.000 EA
HD130RA1000A70	ROTOR ASSEMBLY(EXCL. SHAFT),HDS130,SL70M	1.000 EA
HD130EP3101A02	END PLATE,REAR,MACHINED,HDS130,DSL	1.000 EA
HW5100D40	SPRING WASHER,JB/T7590-D40,H CLASS	1.000 EA
BG6203C08	DEEP GROOVE BALL BEARING,6203-2Z/C3,-30C	1.000 EA
84YN0050J045C	HEX SOCKET HEAD CAP SCREW,M5X45,GB/T70.1	4.000 EA
MJ5004A05CN	#242-21 LOCITE GENERAL PURPOSE MED. STR	0.400 ML
HW5010C25	CIRCLIPS FOR SHAFT-TYPE A,25MM,GB/T 894.	1.000 EA
HD130OE1000G01	SUB-ASSEMBLY, DSL ENCODER, SINGLE-TURN,	1.000 EA
LD2200A61	GRND LEAD ASSY,8" 18AWG,GRN/YEL,M4 RING	1.000 EA
09YN0040A008	SCREW ASSEMBLY,CROSS RECESSED PAN HEAD,S	1.000 EA
HD130CB0001A01	END COVER,MACHINED,HDS130	1.000 EA
84YN0040J012	SCREW SOCKET HD M4 X 0.7 X 12MM	4.000 EA
WD1456A04	CONNECTOR,POWER,M23,8 PIN,MALE,PHOENIX C	1.000 EA
WD1456A04A01	CRIMP CONTACT,2MM,PHOENIX,SF-20KP004,FOR	4.000 EA
WD1456A04A02	CRIMP CONTACT,1MM,PHOENIX,SF-6CP2000,FOR	4.000 EA
15YN0030A008	ROUND HEAD, CROSS RECESS SCREW,M3X8,ZINC	4.000 EA
HA71A0A03	DUST COVER, FOR HDS130 DEP	1.000 EA
HW2511C01	KEY,MATRIC,ROUNDED ENDS,8X7X36MM	1.000 EA
LB1577T01	NAMEPLATE,HDS PROTOTYPE	1.000 EA
LB1578	HOT WARING MARK	1.000 EA
LB1579	NO KNOCKING MARK	1.000 EA
LB1580	QR LABEL, HDS	1.000 EA

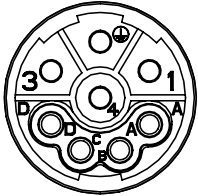
<b>Parts List (continued)</b>		
<b>Part Number</b>	<b>Description</b>	<b>Quantity</b>
HA21A8Y90	SHAFT PROTECT SLEEVE FOR HDS130,Y90	1.000 EA
HDS130PA1829	MOTOR PACKING GROUP, HDS130-1829	1.000 EA

No performance data has been  
assigned to this product.





CD2167A02

MOTOR & BRAKE & DSL ENCODER & PTC LEADS			
	PIN	FUNCTION	COLOR
 <p>WD1456A04 (PLUG SIDE)</p>	1	V(S) U (R)	RED BLACK
	2	GROUND (PE)	YELLOW/GREEN
	3	U(R) W (T)	BLACK BLUE
	4	W(T) V (S)	BLUE RED
	A	+U <sub>s</sub> /DSL+/PTC	GRAY
	B	BRAKE GND/DSL-/PTC	RED GREEN
	C	BRAKE	BLUE RED
	D	GND/DSL-/PTC BRAKE	GREEN BLUE

REV. DESC: CHANGED CONNECTOR PIN DEFINITION			
REV: B	VERSION: 02	REVISED: 04:11:40 05/05/2017	TDR: 000001027228
CD2167A02	MODEL NO. CD2167A02		REF: -
	BY: CNSESU2	Material: -	

**BALDOR**

CONNECTION DIAGRAM,POWER & DSL

CD2167A02