

BALDOR® • RELIANCE

Product Information Packet

HDS130-1829CRKNN

HDS130-1829CRKNN,RESOLVER,KEY

Specs			
Bearing Grease Type:	Polyrex EM		
Dimensional Drawing Numbers:	HD130LYA001		
Nameplate Amps:	13.0		

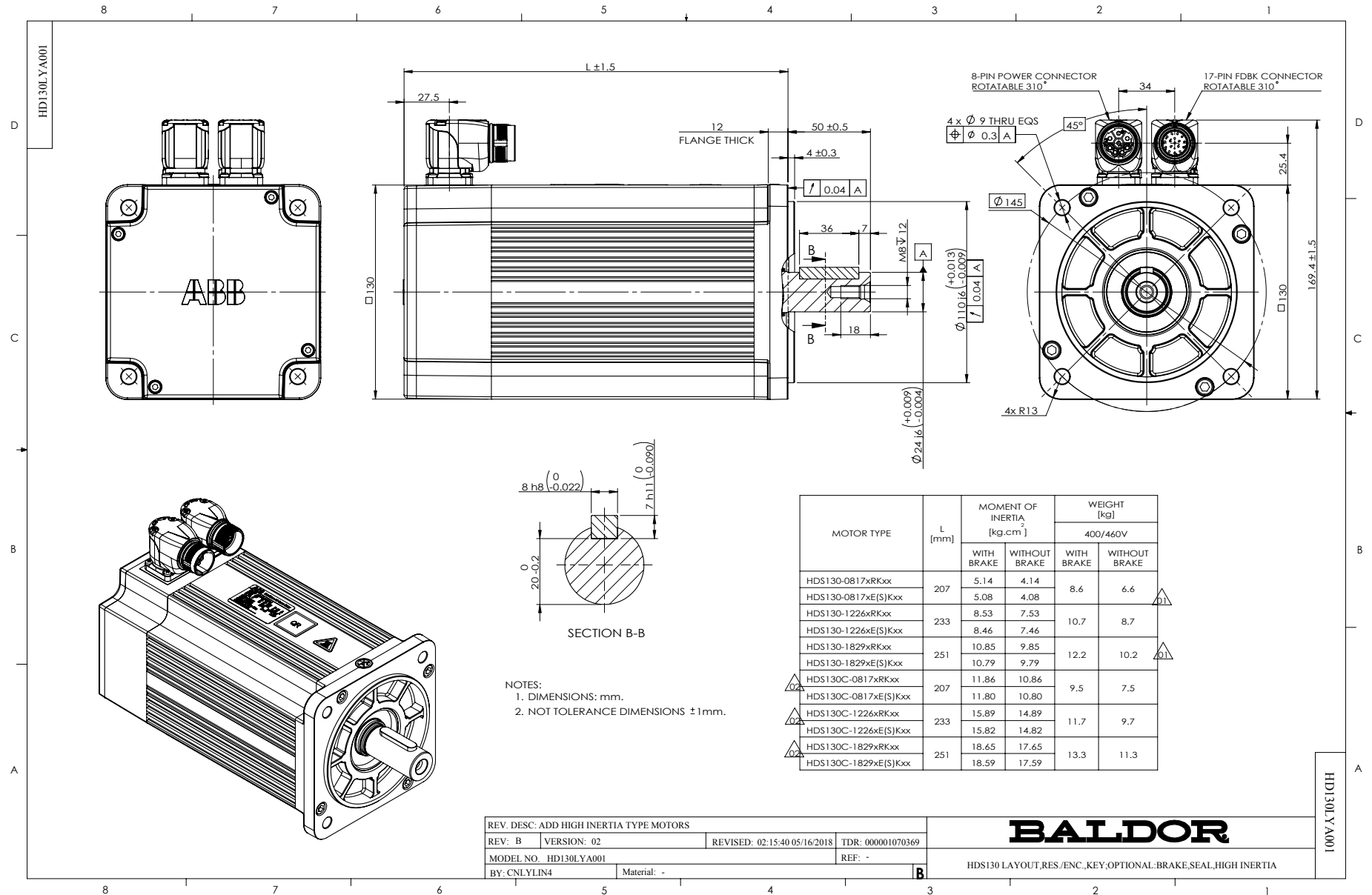
Nameplate LB1577T01

MODEL:	HDS130-1829CRKNN					
PN	2.9	KW	TO 18.0	N.M	IO 13.0	A
U	460	V	TP 54.0	N.M	IP 42.0	A
NN/N MAX	1500/4000		RPM		3XPTC130	
FBK	RES		IP IP54		INS F	
BRK:		VDC/		N.M		
S/N						

Parts List		
Part Number	Description	Quantity
HD130SA0003C70	STATOR ASSEMBLY,HDS130,460V,70MM	1.000 EA
HD130SH0004A70	SHAFT,ROTOR L70MM, HDS130, RESOLVER	1.000 EA
HD130RA1000A70	ROTOR ASSEMBLY(EXCL. SHAFT),HDS130,SL70M	1.000 EA
HD130EP3101A01	END PLATE,REAR,MACHINED,HDS130,RESOLVER/	1.000 EA
HW5100D40	SPRING WASHER,JB/T7590-D40,H CLASS	1.000 EA
BG6203C08	DEEP GROOVE BALL BEARING,6203-2Z/C3,-30C	1.000 EA
84YN0050J045C	HEX SOCKET HEAD CAP SCREW,M5X45,GB/T70.1	4.000 EA
MJ5004A05CN	#242-21 LOCITE GENERAL PURPOSE MED. STR	0.400 ML
HW5010C25	CIRCLIPS FOR SHAFT-TYPE A,25MM,GB/T 894.	1.000 EA
HD130RF1000R01	SUB-ASSEMBLY, RESOLVER, HDS130	1.000 EA
LD2200A61	GRND LEAD ASSY,8" 18AWG,GRN/YEL,M4 RING	1.000 EA
09YN0040A008	SCREW ASSEMBLY,CROSS RECESSED PAN HEAD,S	1.000 EA
HD130CB0001A01	END COVER,MACHINED,HDS130	1.000 EA
84YN0040J012	SCREW SOCKET HD M4 X 0.7 X 12MM	4.000 EA
WD1456A04	CONNECTOR,POWER,M23,8 PIN,MALE,PHOENIX C	1.000 EA
WD1456A04A01	CRIMP CONTACT,2MM,PHOENIX,SF-20KP004,FOR	4.000 EA
WD1456A04A02	CRIMP CONTACT,1MM,PHOENIX,SF-6CP2000,FOR	4.000 EA
WD1456A06	CONNECTOR,SIGNAL,M23,17 PIN,MALE,PHOENIX	1.000 EA
15YN0030A008	ROUND HEAD, CROSS RECESS SCREW,M3X8,ZINC	8.000 EA
HA71A0A03	DUST COVER, FOR HDS130 DEP	1.000 EA
HW2511C01	KEY,MATRIC,ROUNDED ENDS,8X7X36MM	1.000 EA
LB1577T01	NAMEPLATE,HDS PROTOTYPE	1.000 EA
LB1578	HOT WARING MARK	1.000 EA
LB1579	NO KNOCKING MARK	1.000 EA

Parts List (continued)		
Part Number	Description	Quantity
LB1580	QR LABEL, HDS	1.000 EA
HA21A8Y90	SHAFT PROTECT SLEEVE FOR HDS130,Y90	1.000 EA
HDS130PA1829	MOTOR PACKING GROUP, HDS130-1829	1.000 EA

No performance data has been
assigned to this product.

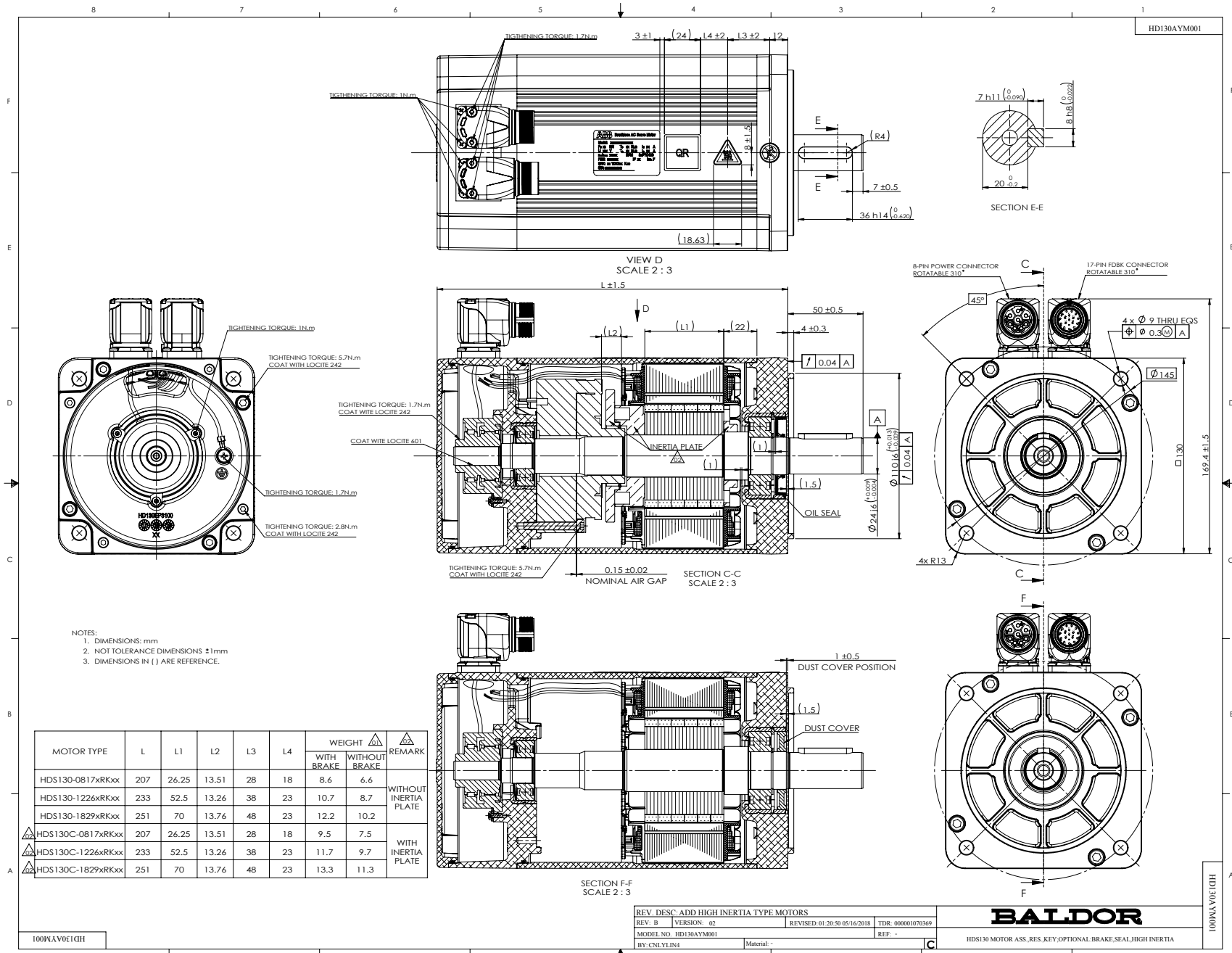


MOTOR TYPE	L [mm]	MOMENT OF INERTIA ₂ [kg.cm ²]		WEIGHT [kg]	
				400/460V	
		WITH BRAKE	WITHOUT BRAKE	WITH BRAKE	WITHOUT BRAKE
HDS130-0817xRKxx	207	5.14	4.14	8.6	6.6
HDS130-0817xE(S)Kxx		5.08	4.08		
HDS130-1226xRKxx	233	8.53	7.53	10.7	8.7
HDS130-1226xE(S)Kxx		8.46	7.46		
HDS130-1829xRKxx	251	10.85	9.85	12.2	10.2
HDS130-1829xE(S)Kxx		10.79	9.79		
HDS130C-0817xRKxx	207	11.86	10.86	9.5	7.5
HDS130C-0817xE(S)Kxx		11.80	10.80		
HDS130C-1226xRKxx	233	15.89	14.89	11.7	9.7
HDS130C-1226xE(S)Kxx		15.82	14.82		
HDS130C-1829xRKxx	251	18.65	17.65	13.3	11.3
HDS130C-1829xE(S)Kxx		18.59	17.59		

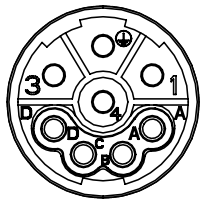
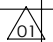
REV. DESC: ADD HIGH INERTIA TYPE MOTORS			
REV: B	VERSION: 02	REVISED: 02:15:40 05/16/2018	TDR: 000001070369
MODEL NO. HD130LYA001		REF: -	
BY: CNLYLIN4	Material: -		

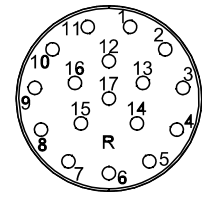
BALDOR

HDS130 LAYOUT,RES./ENC.,KEY;OPTIONAL: BRAKE,SEAL,HIGH INERTIA



CD2167A09

MOTOR & BRAKE & PTC LEADS			
 WD1456A04 (PLUG SIDE)	PIN	FUNCTION	COLOR
	1	U (R)	BLACK
	2	GROUND (PE)	YELLOW/GREEN
	3	W (T)	BLUE
	4	V (S)	RED
	A	PTC 	BLUE BLACK
	B	PTC	BLUE
	C	BRAKE	RED
	D	BRAKE	BLUE

RESOLVER LEADS			
 WD1456A06 (PLUG SIDE)	PIN	FUNCTION	COLOR
	1	R1 (REF+)	RED/WHITE
	2	R2 (REF-)	YELLOW/WHITE
	3	S1 (COS+)	RED
	4	S3 (COS-)	BLACK
	5	S4 (SIN-)	BLUE
	6	S2 (SIN+)	YELLOW
	7~17	-	-

REV. DESC: CORRECTED PTC THERMISTER LEAD COLOR			
REV: A	VERSION: 01	REVISED: 09:37:00 06/23/2017	TDR: 000001025915
60V71ZC	MODEL NO. CD2167A09		REF: -
	BY: CNSESU2	Material: -	

BALDOR

CONNECTION DIAGRAM, POWER & RESOLVER

CD2167A09