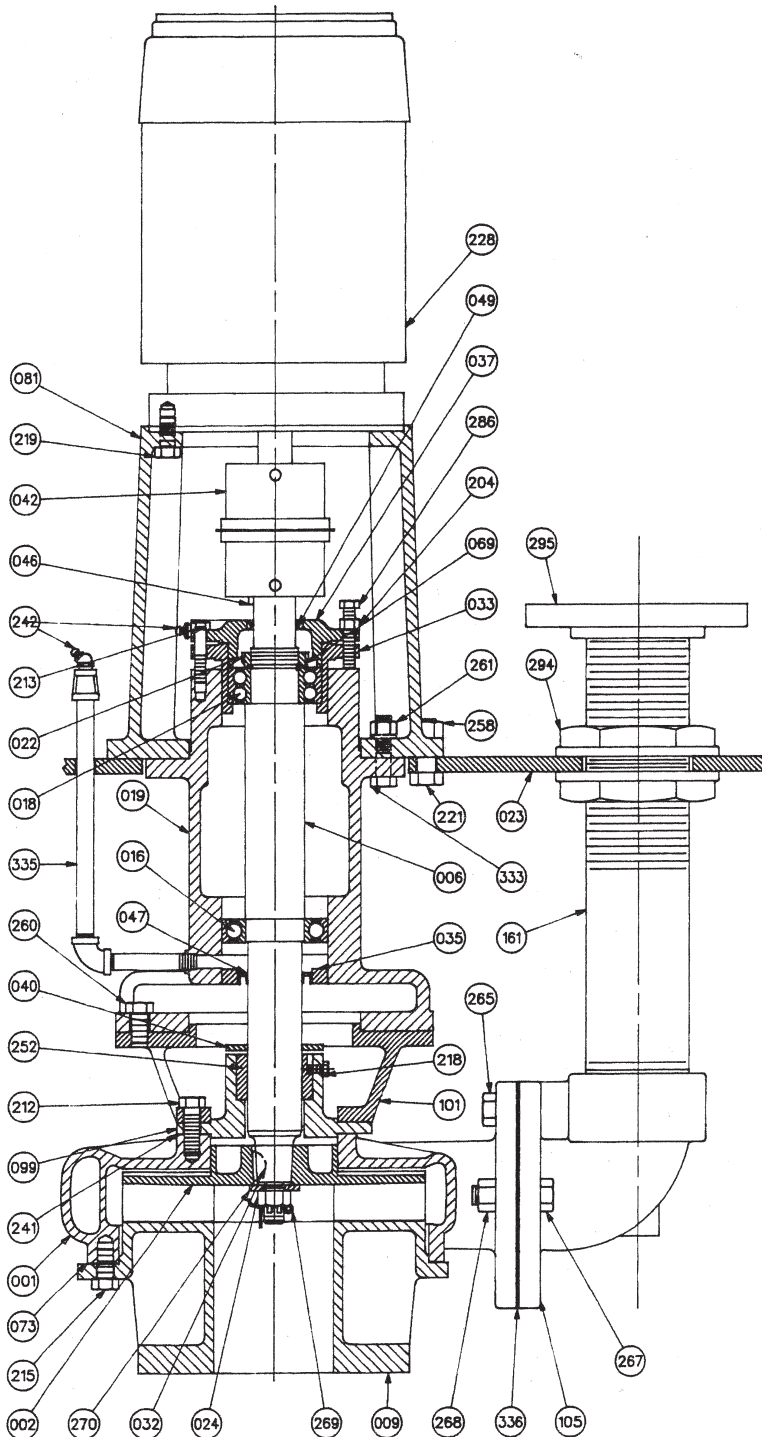


Vertical Immersion and Process Pumps



ITEM No.	DESCRIPTION
001	Casing
002	Impeller
006	Shaft
009	Suction Cover
*016	Ball Bearing (Inboard)
*018	Ball Bearing (Outboard)
019	Frame
022	Lock Nut (Bearing)
023	Base Plate
*024	Impeller Nut
032	Impeller Key
033	Bearing Housing (Outboard)
035	Bearing Cover (Inboard)
037	Bearing Cover (Outboard)
040	Deflector
042	Coupling
046	Coupling Key
*047	Bearing Cover Seal
*049	Bearing Cover Seal
069	Bearing Lock Washer
*073	Gasket
081	Drive Pedestal
099	Throttle Housing
101	Column
105	Discharge Elbow
161	Discharge Pipe
204	Adjusting Lock Nut
212	Cap Screw
213	Cap Screw
215	Cap Screw
218	Cap Screw
219	Cap Screw
221	Cap Screw
228	Motor
*241	Gasket
242	Grease Fitting
252	Throttle Bushing
258	Hex Nut
260	Cap Screw
261	Hex Nut
265	Cap Screw
267	Cap Screw
268	Cap Screw
*269	Cotter Pin
270	Impeller Washer
286	Jackscrew
294	Pipe Nut
295	Discharge Flange
332	Cap Screw (Not Shown)
335	Lube Pipe Assembly
*336	Gasket

(*) Recommended Spare Parts



WARNING:
 CANCER AND REPRODUCTIVE HARM -
 WWW.P65WARNINGS.CA.GOV

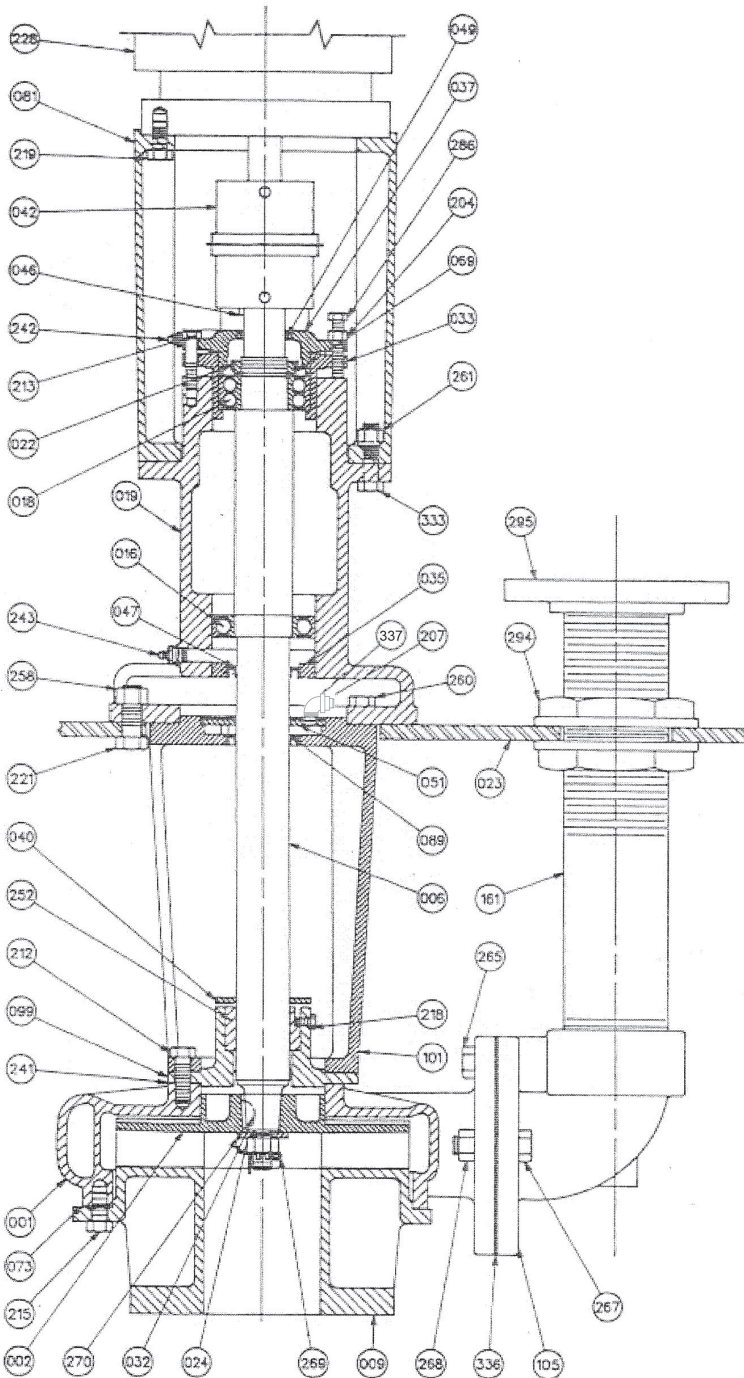
Pump Assembly - Fig. 5562H

DEMING®

Bulletin 5562

www.cranepumps.com

Vertical Immersion and Process Pumps



ITEM No.	DESCRIPTION
001	Casing
002	Impeller
006	Shaft
009	Suction Cover
*016	Ball Bearing (Inboard)
*018	Ball Bearing (Outboard)
019	Frame
022	Lock Nut (Bearing)
023	Base Plate
*024	Impeller Nut
032	Impeller Key
033	Bearing Housing (Outboard)
035	Bearing Cover (Inboard)
037	Bearing Cover (Outboard)
040	Deflector
042	Coupling
046	Coupling Key
*047	Bearing Cover Seal
*049	Bearing Cover Seal
051	Grease Retainer
069	Bearing Lock Washer
*073	Gasket
*089	Lip Seal
081	Drive Pedestal
099	Throttle Housing
101	Column
105	Discharge Elbow
161	Discharge Pipe
204	Adjusting Lock Nut
207	Grease Fitting
212	Cap Screw
213	Cap Screw
215	Cap Screw
218	Cap Screw
219	Cap Screw
221	Cap Screw
228	Motor
*241	Gasket
242	Grease Fitting
243	Grease Fitting
*252	Throttle Bushing
258	Hex Nut
260	Cap Screw
261	Hex Nut
265	Cap Screw
267	Cap Screw
268	Cap Screw
*269	Cotter Pin
270	Impeller Washer
286	Jackscrew
294	Pipe Nut
295	Discharge Flange
332	Cap Screw (Not Shown)
333	Cap Screw
*336	Gasket

(* Recommended Spare Parts



WARNING:
 CANCER AND REPRODUCTIVE HARM -
 WWW.P65WARNINGS.CA.GOV

SECTION 44
 PAGE 6
 DATE 10/18

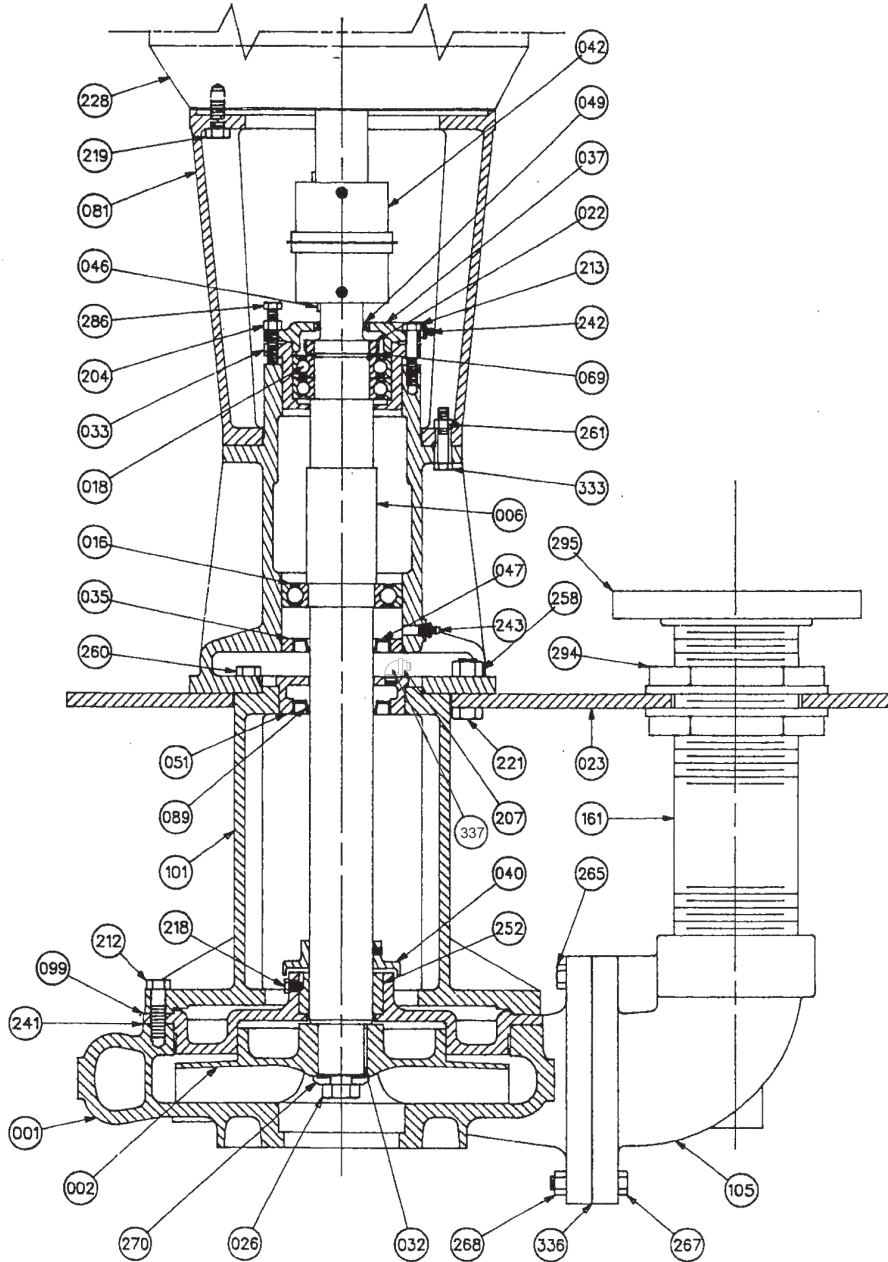
CRANE

A Crane Co. Company

PUMPS & SYSTEMS

USA: (937) 778-8947 • Canada: (905) 457-6223 • International: (937) 615-3598

Vertical Immersion and Process Pumps



(* Recommended Spare Parts



WARNING:
 CANCER AND REPRODUCTIVE HARM -
 WWW.P65WARNINGS.CA.GOV

ITEM No.	DESCRIPTION
001	Casing
002	Impeller
006	Shaft
*016	Ball Bearing (Inboard)
*018	Ball Bearing (Outboard)
019	Frame
022	Lock Nut (Bearing)
023	Base Plate
*026	Impeller Screw
032	Impeller Key
033	Bearing Housing (Outboard)
035	Bearing Cover (Inboard)
037	Bearing Cover (Outboard)
040	Deflector
042	Coupling
046	Coupling Key
*047	Bearing Cover Seal
*049	Bearing Cover Seal
051	Grease Retainer
069	Bearing Lock Washer
081	Drive Pedestal
099	Throttle Housing
101	Column
105	Discharge Elbow
161	Discharge Pipe
204	Adjusting Lock Nut
207	Grease Fitting
212	Cap Screw
213	Cap Screw
218	Cap Screw
219	Cap Screw
221	Cap Screw
228	Motor
239	Stud (Not Shown)
*241	Gasket
242	Grease Fitting
243	Grease Fitting
246	Stud (Not Shown)
247	Hex Nut (Not Shown)
249	Hex Nut (Not Shown)
*252	Throttle Bushing
258	Hex Nut
260	Cap Screw
261	Hex Nut
265	Cap Screw
267	Cap Screw
268	Cap Screw
270	Impeller Washer
286	Jackscrow
294	Pipe Nut
295	Discharge Flange
332	Cap Screw (Not Shown)
333	Cap Screw
*336	Gasket