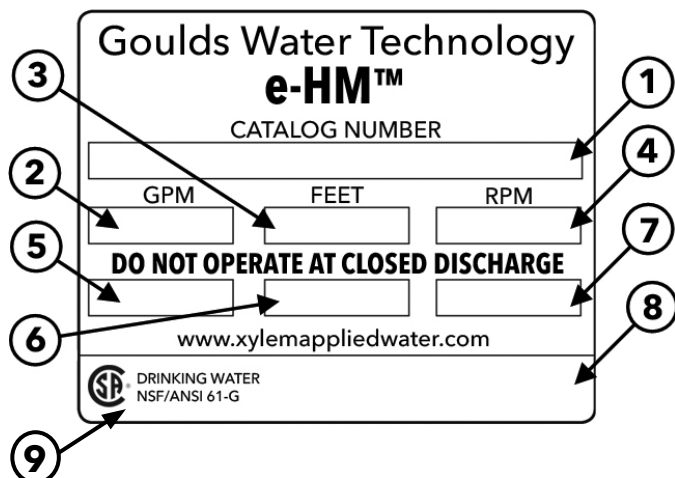

e-HM/e-HME REPAIR PARTS

TABLE OF CONTENTS

Rating Plate	2
Applications, Benefits and Industry	3
General Introduction	4
Numbering System for 1 - 22HM Pumps.....	5
Model 1, 3 and 5 Compact Design Components	6
Model 1, 3, 5, 10, 15 and 22 Sleeve Design Components	7
Compact Design Exploded View	8
Compact Design 1-5 Parts	9
Sleeve Design Exploded View	10
Sleeve Design 10-22 Parts	11
Sleeve Design 1-5 Parts	12
Sleeve Design 10-22 Indexed Parts Table.....	13
Mechanical Seals.....	14
Motor Table	15
O-Rings.....	16

e-HM™ RATING PLATE



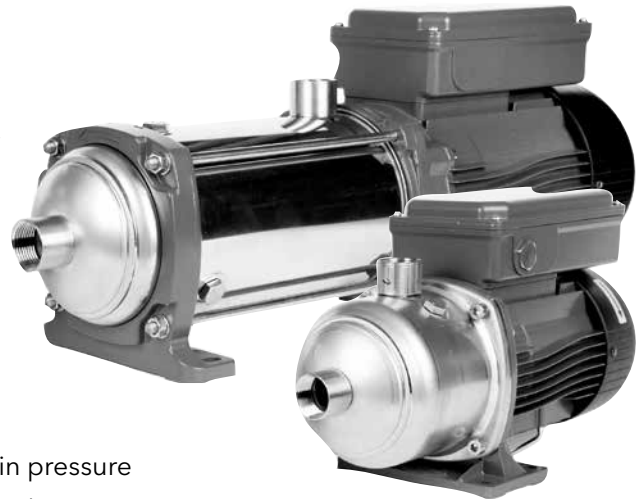
1	Goulds Water Technology Catalog Number
2	Capacity Range
3	TDH Range
4	Rated Speed
5	Rated Horsepower
6	Maximum Operating Pressure
7	Maximum Fluid Temperature
8	Pump Serial Number
9	Certifications Where Applicable

Commercial Water

e-HM™ SERIES

Applications, Benefits and Industry

Whether you're in the market for industry specific applications, building services, or residential applications, the e-HM is designed to meet your water needs. Customizable options mean you get exactly the right pump for your application, exactly when you need it.



APPLICATIONS

Designed with compactness in mind, the e-HM is ideal for applications where a smaller footprint is needed. Ideal for use in pressure boosting and water supply systems, industrial washing and cleaning, water treatment, or circulation of hot and cold liquids in cooling and conditioning systems. The broad coverage makes this pump an ideal solution in industry, building services and residential applications.

BENEFITS

Reliability: The e-HM series was designed to withstand heavy-duty applications in Industry. Made of 316 stainless steel and construction incorporating a 20% increase in the pump body thickness, ensures enhanced durability and reliability.

Versatility: Offering two different mechanical configurations, 7 mechanical seal options, high-efficiency motors, and surface treatment options such as electropolishing and passivation, make the e-HM suitable for multiple applications.

Performances: The e-HM series provides best-in-class efficiency and is up to 72% efficient. Compared to similar pumps in the market, the e-HM offers a potential of 30% in energy savings versus the competition.

Global Platform: Assembled in different factories around the world, the e-HM can offer easier accessibility due to its proximity to our customers. Beyond our commitment to reduce the carbon footprint of e-HM, this global platform offers the same design which is available everywhere using the same quality processes.

FEATURES

- Wide range of performances with 6 sizes, flow up to 127 gpm, heads up to 525 feet
- Maximum working pressure up to 230 psi (16 bar)
- Premium efficient, UL Recognized (cURus) motor
- 90% of the range has the same suction height (3.54") for easy installation or system upgrades

e-HM™ SERIES GENERAL INTRODUCTION

Our newly redesigned horizontal multi-stage high pressure centrifugal pump offers outstanding efficiencies. The high-efficiency motor coupled with an innovative hydraulic design, NPT threaded inlet and outlet connections, and broad coverage provides flexible options for a variety of applications. Whether you're in the market for industry specific applications, building services, or residential applications, the e-HM is designed to meet your water needs.

Pump Design

The e-HM is a close-coupled horizontal multi-stage design with NPT threaded inlet and outlet connections, and a TEFC equivalent high-efficiency motors. The pump incorporates an innovative hydraulic design that provides the highest efficiency in the market today.

The e-HM is available in two configurations:

Compact Design

Sizes 1HM, 3HM, and 5HM

- 1HM and 3HM up to 6 stages
- 5HM up to 5 stages

Sleeve Design

Sizes 1HM, 3HM, 5HM, 10HM, 15HM and 22HM

- 1HM & 3HM start at 7 stages
- 5HM starts at 6 stages

The compact design is made of one single piece of fabricated stainless steel for the pump body which is directly connected to the motor flange. The sleeve design is made of an external stainless steel TIG welded sleeve, and incorporates a separate suction housing. All available in 316 stainless steel construction consisting of a 20% increase in pump body thickness for enhanced durability and reliability.

Motor

The e-HM series incorporates a UL Recognized (cURus) premium efficiency, inverter design motor for additional energy savings and versatility. The standard motor enclosure is a TEFC (IP55) design which can be paired with Goulds Water Technology variable speed drives such as the Hydrovar.

EISA Compliance

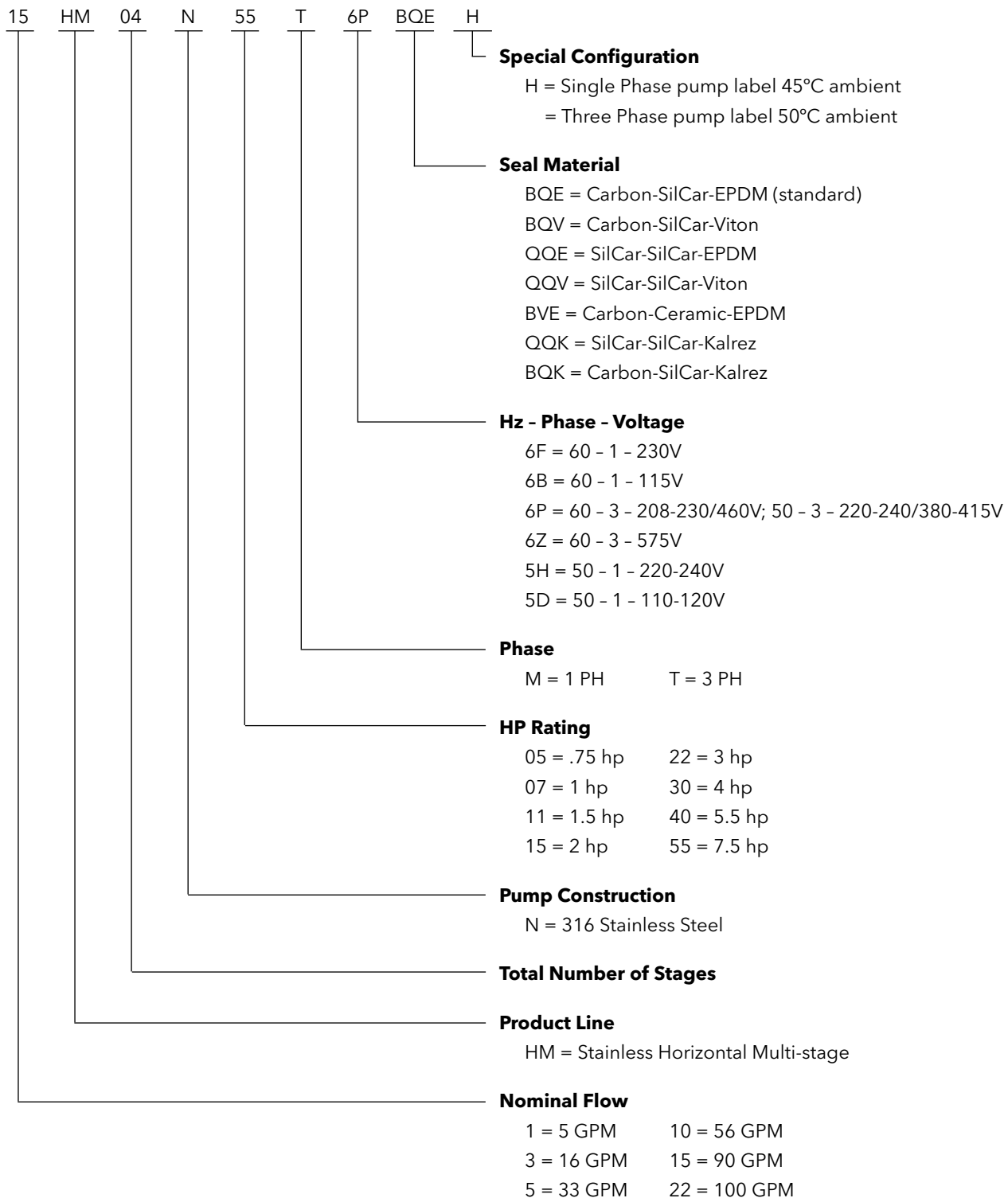
Xylem conforms to the requirements of the Energy Independence and Security Act (EISA) of 2007. Under the Energy Independence and Security Act of 2007 (EISA), covered motors that are manufactured or imported for distribution in commerce in the United States on or after December 19, 2010, must comply with the applicable EISA energy conservation standards. EISA-covered motors include general purpose electric motors (subtype I), general purpose electric motors (subtype II), fire pump motors, and NEMA Design B general purpose electric motors, which are manufactured alone or as a component of another piece of equipment. The standards are found in sections 431.25(c)-(f) of Title 10 of the Code of Federal Regulations, Part 431 (10 CFR Part 431).



e-HM™ PRODUCT LINE NUMBERING SYSTEM FOR 1 - 22HM PUMPS

The various versions of the e-HM line are identified by a product code number on the pump label. This number is also the catalog number for the pump. The meaning of each digit in the product code number is shown below.
Note: Not all combinations are possible.

EXAMPLE PRODUCT CODE



MODEL 1, 3, 5 HM..N SERIES - MAJOR COMPONENTS

(COMPACT DESIGN)

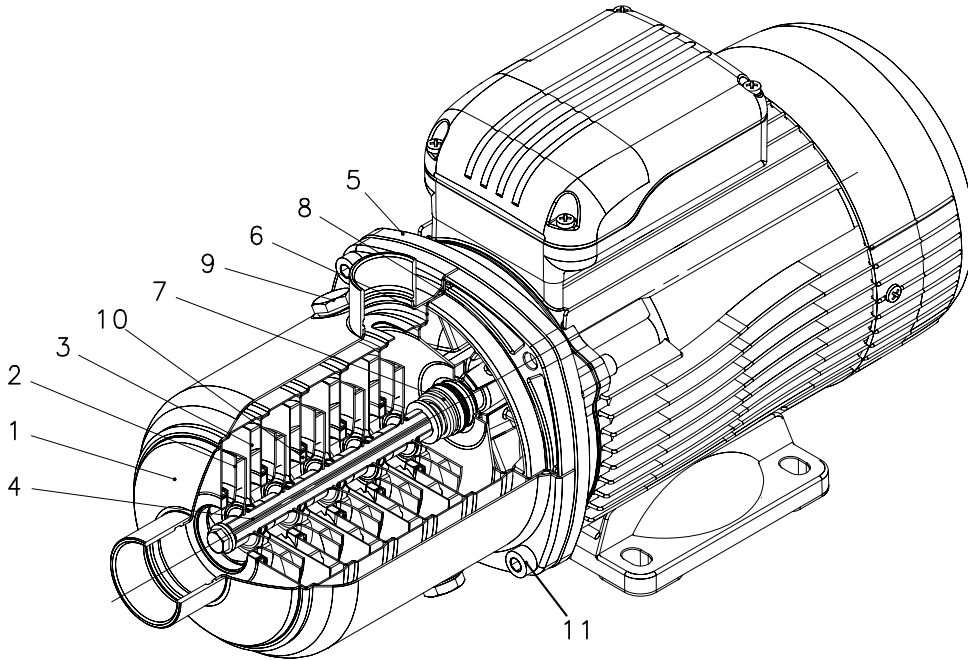


TABLE OF MATERIALS HM..N SERIES

REFERENCE NUMBER	NAME	MATERIAL	REFERENCE STANDARDS	
			USA	EUROPE
1	Pump body	Stainless steel	AISI 316L	EN 10088-1-X2CrNiMo17-12-2 (1.4404)
2	Impeller	Stainless steel	AISI 316L	EN 10088-1-X2CrNiMo17-12-2 (1.4404)
3	Diffuser	Stainless steel	AISI 316L	EN 10088-1-X2CrNiMo17-12-2 (1.4404)
4	Shaft	Stainless steel	AISI 316	EN 10088-1-X5CrNiMo17-12-2 (1.4401)
5	Adapter	Aluminium	-	EN 1706-AC-AISI11Cu2 (Fe) (AC46100)
6	Seal housing	Stainless steel	AISI 316L	EN 10088-1-X2CrNiMo17-12-2 (1.4404)
7	Mechanical seal			
8	Elastomers			
9	Fill / drain plugs	Stainless steel	AISI 316	EN 10088-1-X5CrNiMo17-12-2 (1.4401)
10	Wear ring	Technopolymer (PPS)		
11	Bolts and screws	Stainless steel	AISI 304	EN 10088-1-X5CrNi18-10 (1.4301)

MODEL 1, 3, 5, 10, 15, 22 HM..N SERIES - MAJOR COMPONENTS

(SLEEVE DESIGN)

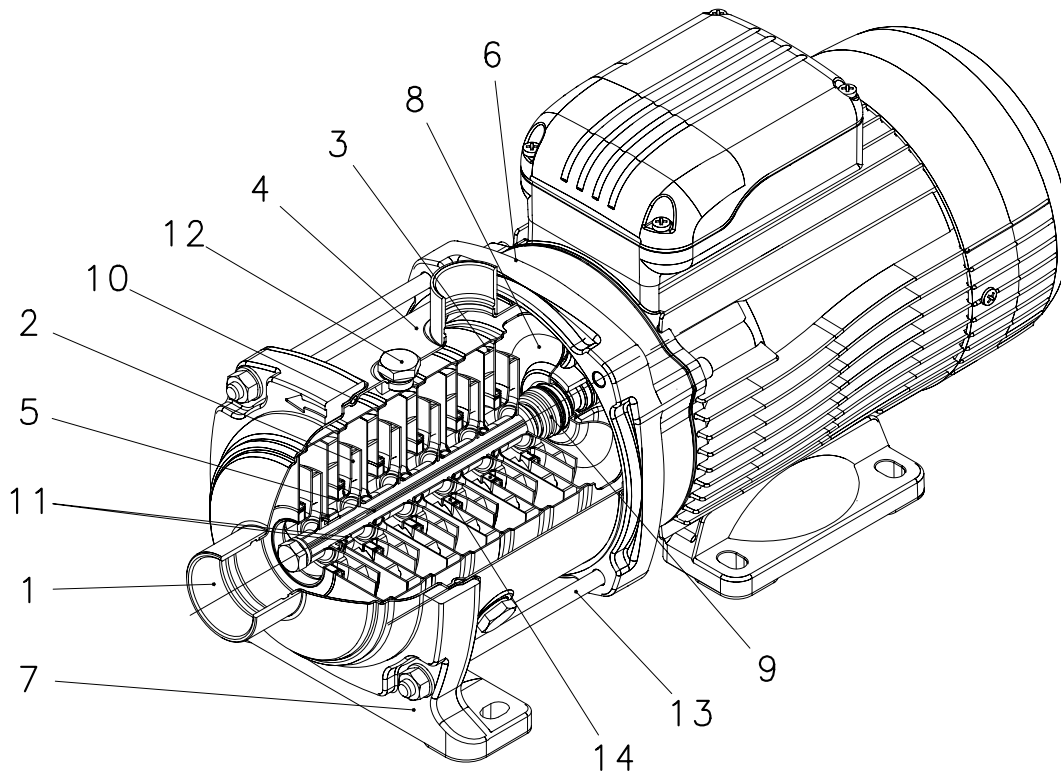
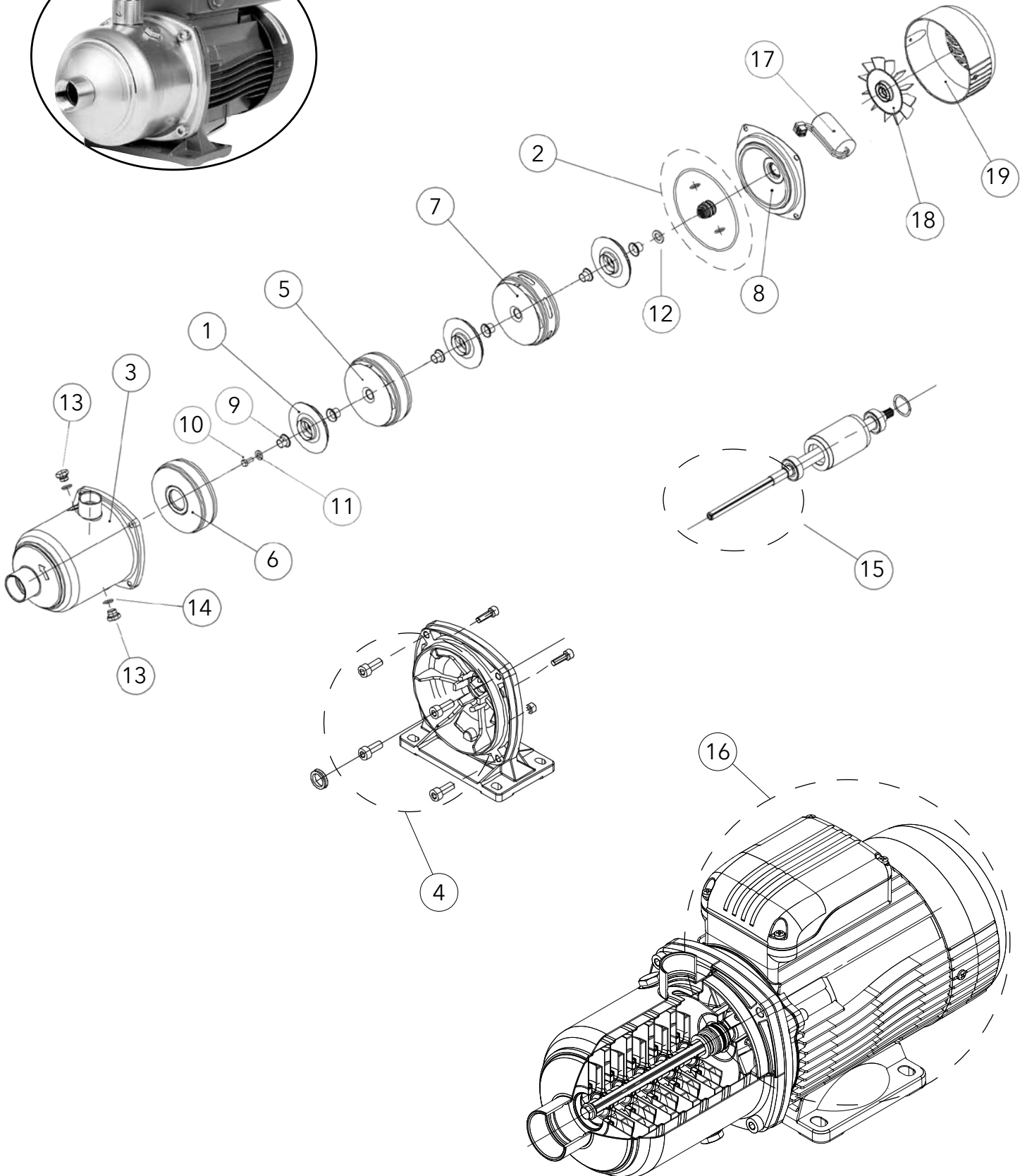
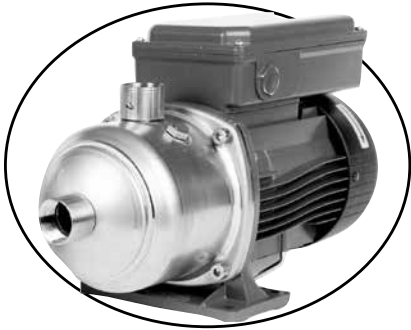


TABLE OF MATERIALS HM..N SERIES

REFERENCE NUMBER	NAME	MATERIAL	REFERENCE STANDARDS	
			USA	EUROPE
1	Head	Stainless steel	AISI 316L	EN 10088-1-X2CrNiMo17-12-2 (1.4404)
2	Impeller	Stainless steel	AISI 316L	EN 10088-1-X2CrNiMo17-12-2 (1.4404)
3	Diffuser and upper spacer	Stainless steel	AISI 316L	EN 10088-1-X2CrNiMo17-12-2 (1.4404)
4	Outer sleeve	Stainless steel	AISI 316L	EN 10088-1-X2CrNiMo17-12-2 (1.4404)
5	Shaft	Stainless steel	AISI 316	EN 10088-1-X5CrNiMo17-12-2 (1.4401)
6	Adapter	Aluminium	-	EN 1706-AC-AISI11Cu2 (Fe) (AC46100)
7	Ring with foot	Aluminium	-	EN 1706-AC-AISI11Cu2 (Fe) (AC46100)
8	Seal housing	Stainless steel	AISI 316L	EN 10088-1-X2CrNiMo17-12-2 (1.4404)
9	Mechanical seal			
10	Elastomers			
11	Shaft sleeve and bushing	Tungsten carbide		
12	Fill / drain plugs	Stainless steel	AISI 316L	EN 10088-1-X5CrNiMo17-12-2 (1.4401)
13	Tie rods	Stainless steel	AISI 431	EN 10088-1-X17CrNi16-2 (1.4057)
14	Wear ring	Technopolymer (PPS)		

COMPACT DESIGN



Commercial Water

COMPACT 1-5 PARTS

Item No.	Part Description	Material	Repair Part No.
1	Impeller	316SS	See Variable Part Table
2	Mechanical Seal	See Seal Table	See Seal Table
3	Casing	316SS	See Variable Part Table
4	Casing Bolts	304SS	13K449
5	Diffuser	316SS	See Variable Part Table
6	Initial Stage	316SS	See Variable Part Table
7	Diffuser With Slot	316SS	See Variable Part Table
8	Seal Housing	316SS	1L552
9	Impeller Spacer	316SS	See Variable Part Table
10	Impeller Screw	316SS	13K445
11	Impeller Washer	316SS	13L120
12	Seal Washer	316SS	13L134
13	Drain Plug / Vent Plug	316SS	6L3
14	O-Ring	See O-Ring Table	See O-Ring Table
15	Pump Shaft	316SS	See Variable Part Table
Not pictured	Impeller Substitution Spacer	316SS	4K1021
16	Motor	N/A	See Motor Table
17	Capacitor	N/A	N/A
18	Fan	N/A	
19	Fan Cover	N/A	

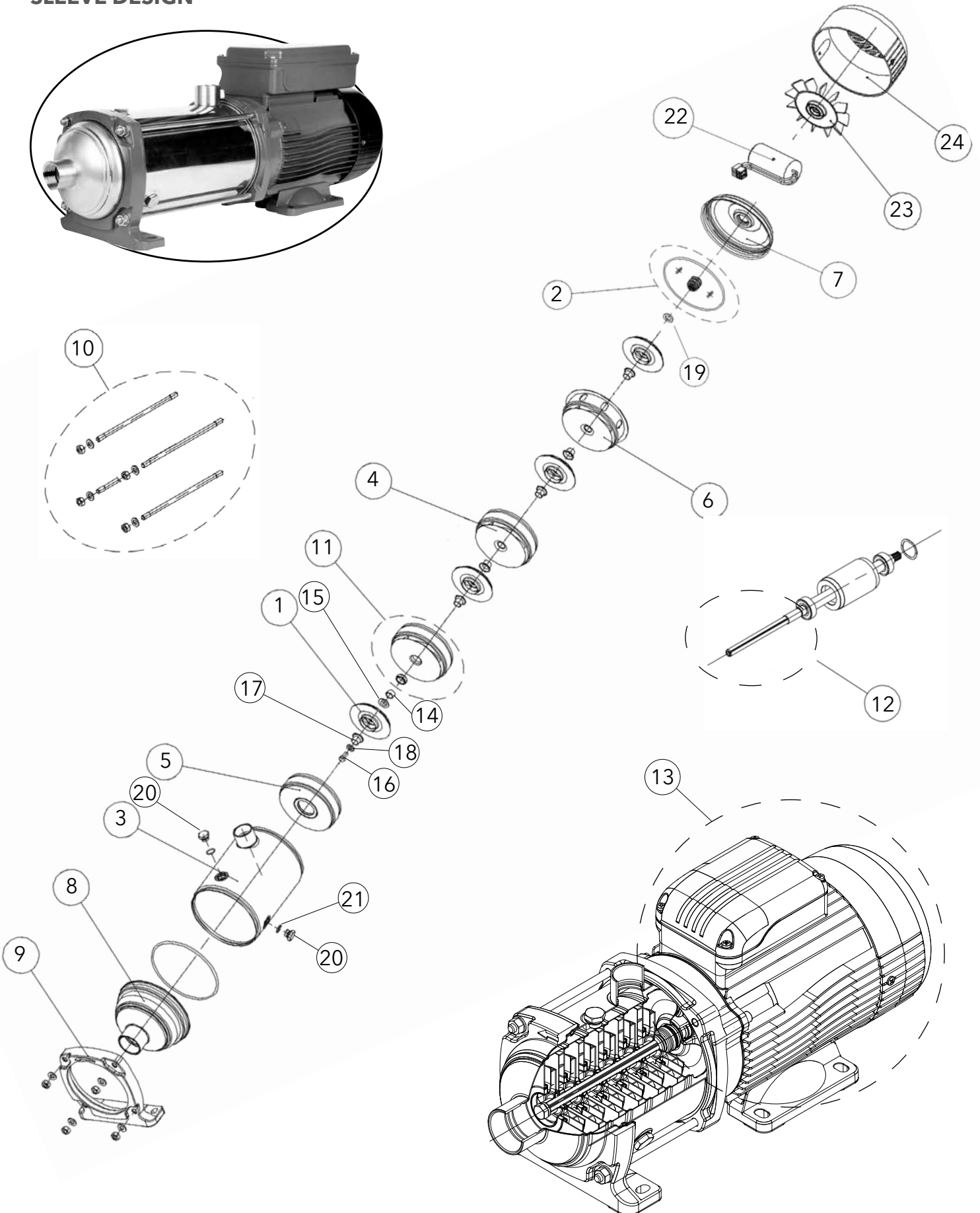
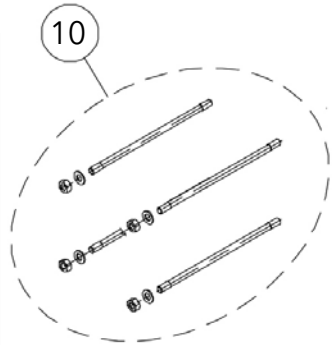
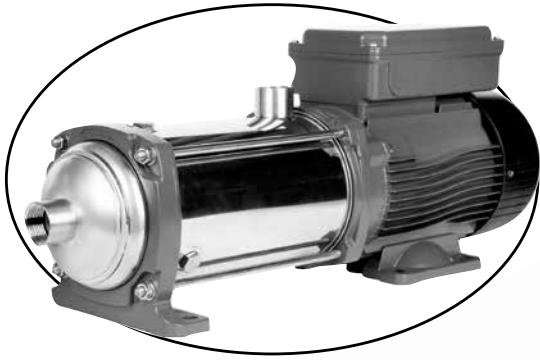
VARIABLE PARTS TABLE

Model	Impeller	Casing	Shaft	Diffuser	Diffuser with Slot	Initial Stage	Impeller Spacer
1HM02	2L917	1L879	4K1142	3L55	3L98	3L79	4L593
1HM03	2L917	1L879	4K1142	3L55	3L98	3L79	4L593
1HM04	2L917	1L880	4K1144	3L55	3L98	3L79	4L593
1HM05	2L917	1L881	4K1145	3L55	3L98	3L79	4L593
1HM06	2L917	1L882	4K1146	3L55	3L98	3L79	4L593
3HM02	2L919	1L879	4K1142	3L55	3L98	3L79	4L593
3HM03	2L919	1L879	4K1142	3L55	3L98	3L79	4L593
3HM04	2L919	1L880	4K1144	3L55	3L98	3L79	4L593
3HM05	2L919	1L881	4K1149	3L55	3L98	3L79	4L593
3HM06	2L919	1L882	4K1150	3L55	3L98	3L79	4L593
5HM02	2L921	1L884	4K1143	3L57	3L99	3L81	4L595
5HM03	2L921	1L884	4K1148	3L57	3L99	3L81	4L595
5HM04	2L921	1L883	4K1149	3L57	3L99	3L81	4L595
5HM05	2L921	1L885	4K1151	3L57	3L99	3L81	4L595

Please Note: Some part numbers are shared with e-SV.

Commercial Water

SLEEVE DESIGN



Commercial Water

SLEEVE 1-5 PARTS

Item No.	Part Description	Material	Repair Part No.
1	Impeller	316SS	See Indexed Part Table
2	Mechanical Seal	See Indexed Part Table	See Indexed Part Table
3	Sleeve	316SS	See Indexed Part Table
4	Diffuser	316SS	See Indexed Part Table
5	Initial Stage	316SS	See Indexed Part Table
6	Final Stage Diffuser	316SS	See Indexed Part Table
7	Seal Housing	316SS	1L922
8	Suction Head	316SS	See Indexed Part Table
9	Ring With Foot	EN1706 (AC46100)	1L915
10	Tie Rod	431SS	See Indexed Part Table
	Tie Rod Nut	304SS	13K441
	Tie Rod Washer	304SS	13K442
11	Diffuser With Bushing	316SS	See Indexed Part Table
12	Pump Shaft	316SS	See Indexed Part Table
13	Motor	N/A	See Motor Table
14	Shaft Bushing	Tungsten Carbide	4L602
15	Bushing Spacer	316SS	See Indexed Part Table
16	Impeller Screw	316SS	13L95
17	Impeller Spacer	316SS	See Variable Parts Table
18	Impeller Washer	316SS	13L105
19	Seal Washer	316SS	13K446
20	Drain Plug / Vent Plug	316SS	6L3
21	O-Ring	See O-Ring Table	See O-Ring Table
22	Capacitor	N/A	N/A
23	Fan	N/A	N/A
24	Fan Cover	N/A	N/A

INDEXED PARTS TABLE

Model	Impeller	Initial Stage	Diffuser	Diffuser with Bushing	Bushing Spacer	Final Diffuser	Impeller Spacer	Shaft
1HM07	2L917	3L79	3L55	3L63	4K1028	3L100	4L593	4K1158
1HM08	2L917	3L79	3L55	3L63	4K1028	3L100	4L593	4K1160
1HM09	2L917	3L79	3L55	3L63	4K1028	3L100	4L593	4K1162
1HM10	2L917	3L79	3L55	3L63	4K1028	3L100	4L593	4K1164
1HM11	2L917	3L79	3L55	3L63	4K1028	3L100	4L593	4K1165
1HM12	2L917	3L79	3L55	3L63	4K1028	3L100	4L593	4K1166
1HM13	2L917	3L79	3L55	3L63	4K1028	3L100	4L593	4K1168
1HM14	2L917	3L79	3L55	3L63	4K1028	3L100	4L593	4K1170
1HM15	2L917	3L79	3L55	3L63	4K1028	3L100	4L593	4K1172
1HM16	2L917	3L79	3L55	3L63	4K1028	3L100	4L593	4K1209
1HM17	2L917	3L79	3L55	3L63	4K1028	3L100	4L593	4K1173
1HM18	2L917	3L79	3L55	3L63	4K1028	3L100	4L593	4K1174
3HM07	2L919	3L79	3L55	3L63	4K1028	3L100	4L593	4K1158
3HM08	2L919	3L79	3L55	3L63	4K1028	3L100	4L593	4K1160
3HM09	2L919	3L79	3L55	3L63	4K1028	3L100	4L593	4K1162
3HM10	2L919	3L79	3L55	3L63	4K1028	3L100	4L593	4K1164
3HM11	2L919	3L79	3L55	3L63	4K1028	3L100	4L593	4K1165
3HM12	2L919	3L79	3L55	3L63	4K1028	3L100	4L593	4K1166
3HM13	2L919	3L79	3L55	3L63	4K1028	3L100	4L593	4K1168
3HM14	2L919	3L79	3L55	3L63	4K1028	3L100	4L593	4K1170
5HM06	2L921	3L81	3L57	3L65	4K1004	3L101	4L595	4K1159
5HM07	2L921	3L81	3L57	3L65	4K1004	3L101	4L595	4K1161
5HM08	2L921	3L81	3L57	3L65	4K1004	3L101	4L595	4K1163
5HM09	2L921	3L81	3L57	3L65	4K1004	3L101	4L595	4K1165
5HM10	2L921	3L81	3L57	3L65	4K1004	3L101	4L595	4K1167
5HM11	2L921	3L81	3L57	3L65	4K1004	3L101	4L595	4K1169
5HM12	2L921	3L81	3L57	3L65	4K1004	3L101	4L595	4K1171

Please Note: Some part numbers are shared with e-SV.

SLEEVE 10-22 PARTS

Item No.	Part Description	Material	Repair Part No.
1	Impeller	316SS	See Impeller Table
2	Mechanical Seal	See Indexed Part Table	See Indexed Part Table
3	Sleeve	316SS	See Indexed Part Table
4	Diffuser	316SS	See Diffuser Table
5	Initial Stage	316SS	See Initial Stage Table
6	Final Stage Diffuser	316SS	See Indexed Part Table
7	Seal Housing	316SS	1L878
8	Suction Head	316SS	See Indexed Part Table
9	Ring With Foot	EN1706 (AC46100)	See Indexed Part Table
10	Tie Rod	431SS	See Indexed Part Table
	Tie Rod Nut	304SS	13K443
	Tie Rod Washer	304SS	13K444
11	Diffuser With Bushing	316SS	3L67
12	Pump Shaft	316SS	See Indexed Part Table
13	Motor	N/A	See Motor Table
14	Shaft Bushing	Tungsten Carbide	4L603
15	Bushing Spacer	316SS	4K1005
16	Impeller Screw	316SS	13L96
17	Impeller Spacer	316SS	See Indexed Part Table
18	Impeller Washer	316SS	13L106
19	Seal Washer	316SS	13K447
20	Drain Plug / Vent Plug	316SS	6L3
21	O-Ring	See O-Ring Table	See O-Ring Table
22	Capacitor	N/A	N/A
23	Fan	N/A	N/A
24	Fan Cover	N/A	N/A
Not Pictured	Impeller Substitute Spacer		4K1023
Not Pictured	Final Empty Housing		3L106
Not Pictured	Motor Adapter		1L919
Not Pictured	Motor Screw		13K448
Not Pictured	Spacer		4L713

Model	Impeller	Initial Stage	Diffuser
10HM	2L923	3L83	3L59
15HM	2L925	3L85	3L61
22HM	2L927	3L85	3L61

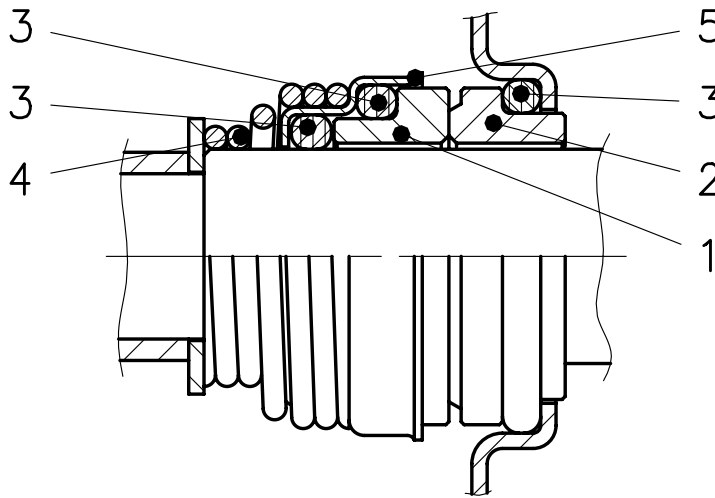
Please Note: Some part numbers are shared with e-SV.

SLEEVE 10-22 INDEXED PARTS TABLE

Model	Final Stage Diffuser	Shaft	Sleeve	Sleeve, Suction Head	Tie Rod	Ring with Foot	Impeller Spacer
10HM01	NA	4K1175	1L903	1L913	4K1199	1L916	4L597
10HM02	3L102	4K1175	1L903	1L913	4K1199	1L916	4L597
10HM03	3L102	4K1175	1L903	1L913	4K1199	1L916	4L597
10HM04	3L102	4K1176	3L904	1L913	4K1200	1L916	4L597
10HM05	3L102	4K1177	1L905	1L913	4K1201	1L917	4L597
10HM06	3L102	4K1179	1L906	1L913	4K1203	1L917	4L597
10HM07	3L102	4K1180	1L907	1L913	4K1204	1L918	4L597
10HM08	3L102	4K1181	1L908	1L913	4K1205	1L918	4L597
15HM01	NA	4K1175	1L909	1L914	4K1200	1L916	4L599
15HM02	3L103	4K1175	1L909	1L914	4K1200	1L916	4L599
15HM03	3L103	4K1175	1L909	1L914	4K1200	1L917	4L599
15HM04	3L103	4K1176	1L910	1L914	4K1202	1L918	4L599
22HM01	NA	4K1176	1L909	1L914	4K1200	1L916	4L599
22HM02	3L103	4K1176	1L909	1L914	4K1200	1L917	4L599
22HM03	3L103	4K1176	1L909	1L914	4K1200	1L918	4L599

Please Note: Some part numbers are shared with e-SV.

e-HM™ SERIES MECHANICAL SEALS



LIST OF MATERIALS

Components	Part Number			
	1	2	3	4 and 5
	Rotary Face	Stationary Face	Elastomers	Hardware
Materials	B - Carbon		E - EPDM (EPR)	All 316 SS
	Q - Sil Carbide		V - Viton	
	V - Ceramic		K - Kalrez	

SEAL TABLE

Part Number	Description	Rotary Face	Stationary Face	Material
10L62	Mechanical Seal Car/Silcar/EPDM 1-5HM Compact	1-5HM	Compact	Car/Silcar/EPDM
10L46	Mechanical Seal Silcar/Silcar/EPDM 1-5HM Compact	1-5HM	Compact	Silcar/Silcar/EPDM
10L48	Mechanical Seal Car/Silcar/Viton 1-5HM Compact	1-5HM	Compact	Car/Silcar/Viton
10L49	Mechanical Seal Silcar/Silcar/Viton 1-5HM Compact	1-5HM	Compact	Silcar/Silcar/Viton
10L51	Mechanical Seal Car/Silcar/Kalrez 1-5HM Compact	1-5HM	Compact	Car/Silcar/Kalrez
10L52	Mechanical Seal Silcar/Silcar/Kalrez 1-5HM Compact	1-5HM	Compact	Silcar/Silcar/Kalrez
10L53	Mechanical Seal Silcar/Silcar/EPDM 10-22HM Sleeve	10-22HM	Sleeve	Silcar/Silcar/EPDM
10L56	Mechanical Seal Car/Silcar/Viton 10-22HM Sleeve	10-22HM	Sleeve	Car/Silcar/Viton
10L57	Mechanical Seal Silcar/Silcar/Viton 10-22HM Sleeve	10-22HM	Sleeve	Silcar/Silcar/Viton
10L59	Mechanical Seal Car/Silcar/Kalrez 10-22HM Sleeve	10-22HM	Sleeve	Car/Silcar/Kalrez
10L60	Mechanical Seal Silcar/Silcar/Kalrez 10-22HM Sleeve	10-22HM	Sleeve	Silcar/Silcar/Kalrez
10L63	Mechanical Seal Car/Ceramic/EPDM 1-5HM Compact	1-5HM	Compact	Car/Ceramic/EPDM
10L64	Mechanical Seal Car/Silcar/EPDM 10-22HM Sleeve	10-22HM	Sleeve	Car/Silcar/EPDM
10L67	Mechanical Seal Car/Silcar/EPDM 1-5HM Sleeve	1-5HM	Sleeve	Car/Silcar/EPDM
10L68	Mechanical Seal Silcar/Silcar/EPDM 1-5HM Sleeve	1-5HM	Sleeve	Silcar/Silcar/EPDM
10L69	Mechanical Seal Car/Silcar/Viton 1-5HM Sleeve	1-5HM	Sleeve	Car/Silcar/Viton
10L70	Mechanical Seal Silcar/Silcar/Viton 1-5HM Sleeve	1-5HM	Sleeve	Silcar/Silcar/Viton
10L71	Mechanical Seal Car/Silcar/Kalrez 1-5HM Sleeve	1-5HM	Sleeve	Car/Silcar/Kalrez
10L72	Mechanical Seal Silcar/Silcar/Kalrez 1-5HM Sleeve	1-5HM	Sleeve	Silcar/Silcar/Kalrez

Note: Kits contain mechanical seal, vent and drain o-rings and casing or sleeve o-ring(s).

MOTOR TABLE - 1-5 HM

Model	Single Phase, 60Hz		Three Phase, 60Hz	
	115V	230V	208-230/460V	575V
1HM02	107236000	107236010	107236020	107236030
1HM03	107236000	107236010	107236020	107236030
1HM04	107236000	107236010	107236020	107236030
1HM05	107236000	107236010	107236020	107236030
1HM06	107236000	107236010	107236020	107236030
1HM07	107236050	107236070	107236190	107236220
1HM08	107236050	107236070	107236190	107236220
1HM09	107236050	107236070	107236190	107236220
1HM10	107236090	107236120	107236250	107236270
1HM11	107236090	107236120	107236250	107236270
1HM12	107236090	107236120	107236250	107236270
1HM13	107236090	107236120	107236250	107236270
1HM14	107236140	107236160	107236290	107236320
1HM15	107236140	107236160	107236290	107236320
1HM16	107236140	107236160	107236290	107236320
1HM17	107236140	107236160	107236290	107236320
1HM18	107236140	107236160	107236290	107236320
3HM02	107236000	107236010	107236020	107236030
3HM03	107236000	107236010	107236020	107236030
3HM04	107236000	107236010	107236020	107236030
3HM05	107236040	107236060	107236180	107236210
3HM06	107236080	107236110	107236240	107236260
3HM07	107236090	107236120	107236250	107236270
3HM08	107236090	107236120	107236290	107236320
3HM09	107236140	107236160	107236290	107236320
3HM10	107236140	107236160	107236290	107236320
3HM11			50A01R300H	50A01T300H
3HM12			50A01R300H	50A01T300H
3HM13			50A01R300H	50A01T300H
3HM14			50A01R300H	50A01T300H
5HM02	107236000	107236010	107236020	107236030
5HM03	107236040	107236060	107236180	107236210
5HM04	107236080	107236110	107236240	107236260
5HM05	107236080	107236110	107236280	107236310
5HM06	107236140	107236160	107236290	107236320
5HM07			50A01R300H	50A01T300H
5HM08			50A01R300H	50A01T300H
5HM09			50A01R300H	50A01T300H
5HM10			50A02R300H	50A02T300H
5HM11			50A02R300H	50A02T300H
5HM12			50A02R300H	50A02T300H

MOTOR TABLE - 10-22 HM

Model	Single Phase, 60Hz		Three Phase, 60Hz	
	115V	230V	208-230/460V	575V
10HM01	107236100	107236130	107236200	107236230
10HM02	107236150	107236170	107236300	107236330
10HM03			50A01R500H	50A01T500H
10HM04			50A02R500H	50A02T500H
10HM05			50A08R500H	50A08T500H
10HM06			50A08R500H	50A08T500H
10HM07			50A13R500H	50A13T500H
10HM08			50A13R500H	50A13T500H
15HM01	107236150	107236170	107236300	107236330
15HM02			50A02R500H	50A02T500H
15HM03			50A08R500H	50A08T500H
15HM04			50A13R500H	50A13T500H
22HM01			50A01R500H	50A01T500H
22HM02			50A08R500H	50A08T500H
22HM03			50A13R500H	50A13T500H

HME MOTOR TABLE

Model	Single Phase	Three Phase	
	208-240V	208-240 / 380-460V	380-460V
1HME04	107239400	107239700	
1HME06	107239430	107239730	
1HME09	107239490	107239790	
1HME13	107239560	107239820	
1HME18	107239610	107239870	-
3HME02	107239400	107239700	
3HME04	107239430	107239730	
3HME05	107239480	107239780	
3HME08	107239610	107239870	
3HME10	107239610	107239870	
3HME14	-	-	107239900
5HME02	107239430	107239730	
5HME03	107239480	107239780	
5HME05	107239600	107239860	-
5HME06	107239610	107239870	
5HME09	-	-	107239900
10HME01	107239500	107239800	-
10HME02	107239620	107239880	
10HME03	-	-	107239910
15HME01	107239620	107239880	-
15HME02	-	-	107239910

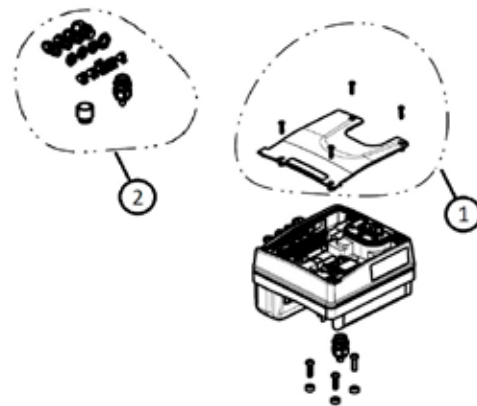
Item	Part Number	Part Name
	9L134	e-SM FAN & FAN COVER KIT
1	9L135	e-SM 1 ph Drive Cover Replacement Kit
1	9L136	e-SM 3 ph Drive Cover Replacement Kit
2	9L137	e-SM Drive T-Block and Cable Gland Kit

O-RINGS

Part Number	Material	Where Used
5K524	EPDM	Vent & Drain Plug
5K525	EPDM	1-5HM Compact
5L88	EPDM	1-5HM Sleeve
5K520	EPDM	10-22HM Sleeve
5L118	Viton	Vent & Drain Plug
5L119	Viton	1-5HM Compact
5K510	Viton	1-5HM Sleeve
5K511	Viton	10-22HM Sleeve
5L120	Kalrez	Vent & Drain Plug
5L121	Kalrez	1-5HM Compact
5L122	Kalrez	1-5HM Sleeve
5L123	Kalrez	10-22HM Sleeve

FAN / FAN COVERS

Motor HP	Repair Part Number	Part Name
3/4	9L130	KIT FAN & FAN COVER SM71 UL
1	9L130	KIT FAN & FAN COVER SM71 UL
1 1/2	9L131	KIT FAN & FAN COVER SM80 UL
2	9L131	KIT FAN & FAN COVER SM80 UL
3	9L132	KIT FAN & FAN COVER PLM90 UL
4	9L132	KIT FAN & FAN COVER PLM90 UL
5	9L133	KIT FAN & FAN COVER PLM100 UL
7 1/2	9L133	KIT FAN & FAN COVER PLM100 UL



xylem
Let's Solve Water

Xylem Inc.
2881 East Bayard Street Ext., Suite
Seneca Falls, NY 13148
Phone: (800) 453-6777
Fax: (888) 322-5877
www.gouldswatertechnology.com

Goulds is a registered trademark of Goulds Pumps, Inc. and is used under license.
© 2021 Xylem Inc. ReHM R6 March 2021