

Non-Clog Pumps

Specifications:

WET END

DISCHARGE: 3", 125 lb. Horizontal Flange Slotted to accommodate 80mm ISO Flanges

SUCTION: 125lb ANSI flange

VOLUTE: Cast Iron ASTM A-48, Class 30

WEAR RING: C954 Lead-Free Bronze

IMPELLER: *Design:* Enclosed Monovane, With Pump Out Vanes on Back Side. Dynamically Balanced ISO G6.3
Material: Ductile Iron ASTM A-536, 65-45-12

"O" RINGS: Buna-N

HARDWARE: 300 Series Stainless Steel

COATING SYSTEM: Axalta Corlar® amidoamine epoxy

DRIVER

MOTOR: *Design:* NEMA B Three Phase Torque Curve. Air-Filled, Squirrel Cage Induction, Inverter Duty rated per NEMA MG1

Insulation: Class H

Efficiency: IE3

Voltage: 208, 230, 460, 575 (±10% voltage variation)

Frequency: 60Hz

Service Factor: 1.15

SHAFT: 416 Stainless Steel

STARTS PER HOUR: 15 per hour, evenly spread

COOLING SYSTEM: Closed loop cooling system

MAX LIQUID TEMPERATURE: 104°F (40°C) Continuous

SUBMERGENCE: Max Depth 66ft (20m)

MOTOR HOUSING: Cast Iron ASTM A-48, Class 35B

SEAL BRACKET: Cast Iron ASTM A-48, Class 35B

BEARING BRACKET ASSEMBLY: Cast Iron ASTM A-48, Class 35B

"O" RINGS: Buna-N

HARDWARE & LIFTING BAIL: 300 Series Stainless Steel

SEAL: *Design:* Tandem Mechanical,

Material: **Inboard:** Carbon Rotating Face, Silicon Carbide Stationary Face

Outboard: Silicon Carbide Rotating Face, Silicon Carbide Stationary Face

Elastomer: Buna-N

Hardware: 300 Series Stainless Steel

CORD ENTRY: Custom Molded, Quick Connected for Sealing and Strain Relief

POWER CORD: CSA Certified Submersible Power Cable 2000V - Ordered Separately

SPEED: 1750 RPM

UPPER BEARING: *Design:* Single Row, Ball, permanently Grease Lubricated
Load: Radial

LOWER BEARING: *Design:* Double Row, Ball, permanently Grease Lubricated
Load: Radial & Thrust

COATING SYSTEM: Resicoat® R4 Powder Coat Epoxy

MONITORING

MOISTURE SENSOR: Normally Open (N/O) Float Sensor with Resistor, Located in Seal Chamber, Requires Relay in Control Panel

TEMPERATURE SENSOR: Three Phase: Three Normally Closed (N/C) Thermal Sensors, One per Phase, Embedded in Stator Windings, To be wired in series with control circuit.

Single Phase: One Normally Closed (N/C) Thermal Sensors Embedded in Stator Windings

OVERLOAD PROTECTION: Three Phase: Must be included in control panel. **Single Phase:** Overload protection included in control panel. Requires start components to be included in panel.

MARKING: CSA

OPTIONS

OPTIONAL EQUIPMENT: White Iron Impeller, Impeller Trims, Impeller Types, Cord Length, Seal options, Certified Testing

ACCESSORIES: Break Away Fittings (BAF), Vertical Suction Elbow Stand, Horizontal Cart System, Horizontal Fixed Bracket System, Control Panel, Level Controls, Leg kit, Concrete Adapter Plate



7365EN envie³

Series: 3M
5 - 7.5HP, 1750RPM
60Hz, IE3 Premium

This product may be covered by one or more of the following patents and other patent(s) pending: NZ DSN NO. 424412, NZ DSN NO. 424413, AUS DSN NO. 201812608, AUS DSN NO. 201812609, EU Design Reg. 005293040-0001

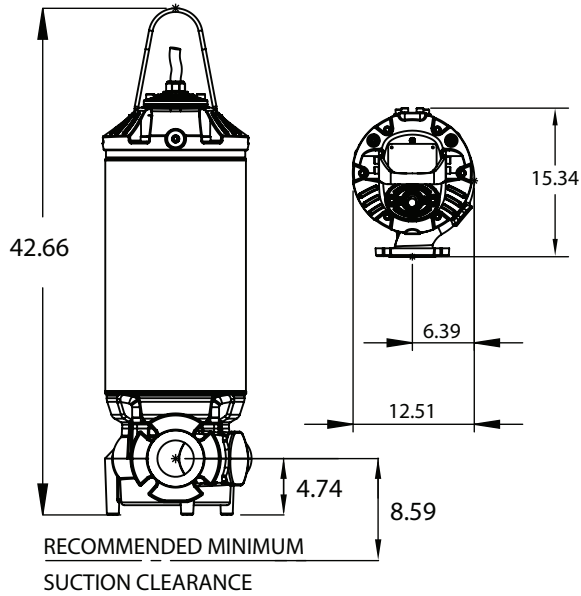
DESCRIPTION:

SUBMERSIBLE WET/DRY PIT NON-CLOG PUMP DESIGNED FOR RAW SEWAGE APPLICATIONS.



WARNING:
CANCER AND REPRODUCTIVE HARM -
WWW.P65WARNINGS.CA.GOV

E21 Frame



Note: All dimensions are in inches

Non-Clog Pumps

MODEL NO	Hydraulic	Driver	HP	VOLT / PH	RPM (Nom)	NEMA START CODE	FLA	LRA	CORD P/N ▲	CORD SIZE	POWER FACTOR AT % LOAD			MOTOR EFFICIENCY AT % LOAD			Weight (lbs)	Working Pressure (PSI)
											100	75	50	100	75	50		
7365EN-335-24-1AN		E21	5	208-230/1	1750	G	23.3 / 20.4	119 / 131	125496	12/4 - 18/4	93.6	85	85	84.5	80.6	518	44	
7365EN-335-12-3AN		E21	5	208/3	1750	J	15.0	101	125496	12/4 - 18/4	78.2	72.5	61.4	89.5	88.9	518	44	
7365EN-335-1Y-3AN		E21	5	208-230/3	1750	J	14.1 / 13.8	80.3 / 86.8	125496	12/4 - 18/4	75.5	68.8	57.5	89.9	88.6	518	44	
7365EN-335-1X-3AN	3MA	E21	5	460/3	1750	J	6.9	43.4	125497	12/4 - 18/4	75.5	68.8	57.5	89.9	88.6	518	44	
7365EN-335-1X-3AN		E21	5	575/3	1750	J	5.5	37.0	125497	12/4 - 18/4	77.9	72	60.8	89.5	90.1	518	44	
7365EN-335-13-3AN		E21	7.5	208/3	1750	H	21.0	133	125496	12/4 - 18/4	82.4	78.7	69.8	91.7	82.8	518	44	
7365EN-335-1H-3AN		E21	7.5	208-230/3	1750	H	20.4 / 18.7	109 / 126	125496	12/4 - 18/4	79.6	74.5	64	91.7	91.2	518	44	
7365EN-335-73-3AN		E21	7.5	460/3	1750	H	9.7	60	125497	12/4 - 18/4	79.6	74.5	64	91.7	91.2	518	44	
7365EN-335-73-3AN		E21	7.5	575/3	1750	H	7.5	50	125497	12/4 - 18/4	81.9	77.9	68.6	91.7	92.1	518	44	

IMPORTANT !

Moisture and Temperature sensor leads are integral to power cord. Pump rated for operation at ± 10% voltage at motor.

▲ Cord Suffix: XC - 30 Feet, XF - 50 Feet, XJ - 75 Feet, or XL - 100 Feet.

▲ Cord sold separately.

* Tri-voltage pumps (i.e. 208-230/460V) are operable at 208V, but will not meet IE3 efficiency. A true 208V, single voltage pump must be ordered to obtain an IE3 rating.

NOTE: Envie3 Dry Run Submersible motors tested per CSA C390/IEEE-112. Efficiency levels are comparable to that of motors meeting the IEC60034-30 standard.

KEY

LRA: Locked Rotor Amps FLA: Full Load Amps

Non-Clog Pumps

