

BALDOR® • RELIANCE 

Product Information Packet

JMEWDM3555T

2HP,3490RPM,3PH,60HZ,145JM,3526M,TEFC,F1

| Part Detail | | | | | | | |
|-------------|---------|-------------|------------|-------------|--------|---------------|------------|
| Revision: | H | Status: | PRD/A | Change #: | | Proprietary: | No |
| Type: | AC | Elec. Spec: | 35WGM774 | CD Diagram: | CD0005 | Mfg Plant: | |
| Mech. Spec: | 35TT937 | Layout: | 35LYTT937 | Poles: | 02 | Created Date: | 12-04-2014 |
| Base: | RG | Eff. Date: | 09-13-2018 | Leads: | 9#18 | | |

| Specs | | | |
|---------------------------------|-------------------------|--------------------------------|-----------------|
| Catalog Number: | JMEWDM3555T | Heater Indicator: | No Heater |
| Enclosure: | TEFC | Insulation Class: | F |
| Frame: | 143JM | Inverter Code: | Inverter Ready |
| Frame Material: | Steel | KVA Code: | M |
| Output @ Frequency: | 2.000 HP @ 60 HZ | Lifting Lugs: | No Lifting Lugs |
| Synchronous Speed @ Frequency: | 3600 RPM @ 60 HZ | Locked Bearing Indicator: | Locked Bearing |
| Voltage @ Frequency: | 208.0 V @ 60 HZ | Motor Lead Quantity/Wire Size: | 9 @ 18 AWG |
| | 460.0 V @ 60 HZ | Motor Lead Exit: | Ko Box |
| | 230.0 V @ 60 HZ | Motor Lead Termination: | Flying Leads |
| XP Class and Group: | None | Motor Type: | 3526M |
| XP Division: | Not Applicable | Mounting Arrangement: | F1 |
| Agency Approvals: | CSA | Power Factor: | 88 |
| | CSA EEV | Product Family: | Wash Down |
| | UR | Pulley End Bearing Type: | Sealed Bearing |
| Auxillary Box: | No Auxillary Box | Pulley Face Code: | C-Face |
| Auxillary Box Lead Termination: | None | Pulley Shaft Indicator: | Tapped & Key |
| Base Indicator: | Rigid | Rodent Screen: | None |
| Bearing Grease Type: | Polyrex EM (-20F +300F) | RoHS Status: | ROHS COMPLIANT |

| | | | |
|---------------------------------------|---------------------------|------------------------------------|---------------------|
| Blower: | None | Shaft Extension Location: | Pulley End |
| Current @ Voltage: | 5.300 A @ 208.0 V | Shaft Ground Indicator: | No Shaft Grounding |
| | 5.000 A @ 230.0 V | Shaft Rotation: | Reversible |
| | 2.500 A @ 460.0 V | Shaft Slinger Indicator: | Shaft Slinger |
| Design Code: | B | Speed Code: | Single Speed |
| Drip Cover: | No Drip Cover | Motor Standards: | NEMA |
| Duty Rating: | CONT | Starting Method: | Direct on line |
| Electrically Isolated Bearing: | Not Electrically Isolated | Thermal Device - Bearing: | None |
| Feedback Device: | NO FEEDBACK | Thermal Device - Winding: | None |
| Front Face Code: | Standard | Vibration Sensor Indicator: | No Vibration Sensor |
| Front Shaft Indicator: | None | Winding Thermal 1: | None |
| | | Winding Thermal 2: | None |

| | | | | | | | | | | |
|--------------------------|---------------|--|-------------|------------|-----------------------|----|--|--------------|-----------|---|
| Nameplate NP1669L | | | | | | | | | | |
| CAT.NO. | JMEWDM3555T | | | | | | | | | |
| SPEC. | 35TT937M774G2 | | | | | | | | | |
| HP | 2 | | | | | | | | | |
| VOLTS | 208-230/460 | | | | | | | | | |
| AMP | 5.3-5/2.5 | | | | | | | | | |
| RPM | 3490 | | | | | | | | | |
| FRAME | 143JM | | | | HZ | 60 | | | PH | 3 |
| SER.F. | 1.15 | | CODE | M | DES | B | | CLASS | F | |
| NEMA-NOM-EFF | 85.5 | | PF | 88 | | | | | | |
| RATING | 40C AMB-CONT | | | | | | | | | |
| CC | 010A | | | | USABLE AT 208V | | | | | |
| DE | 6206 | | | ODE | 6203 | | | | | |
| ENCL | TEFC | | SN | | | | | | | |
| BLANK | | | | | | | | | | |

| Parts List | | |
|---------------|--|----------|
| Part Number | Description | Quantity |
| SA290681 | SA 35TT937M774G2 | 1.000 EA |
| RA276837 | RA 35TT937M774G2 | 1.000 EA |
| NS2512A01 | INSULATOR, CONDUIT BOX X | 1.000 EA |
| 35CB3010A01W | 35 CB .75 NPT @ 6:00, WHITE EPOXY | 1.000 EA |
| 35GS1039 | 05 MOLDED GASKET W/LIP, 1.12 LEAD HOLE, | 1.000 EA |
| 51XB1016A07 | 10-16 X 7/16 HXWSSLD SERTYB | 2.000 EA |
| 11XW1032G06 | 10-32 X .38, TAPTITE II, HEX WSHR SLTD U | 1.000 EA |
| 35EP3122B00W | MASTER ODE,203 BRG,.683SH,.125NPT DRNS,F | 1.000 EA |
| HW4072A01 | BLACK DRAIN PLUG FOR .125 NPT | 3.000 EA |
| HW4032A01 | BLACK DRAIN PLUG FOR WASH DOWN MOTORS | 3.000 EA |
| HW5100A03 | WAVY WASHER (W1543-017) | 1.000 EA |
| 35EP3401T07MW | PU EP FOR SEAL W/"O" DRILLS & NO GRS, W/ | 1.000 EA |
| HW4600B50 | SEAL 1.156 X 1.874 X 0.250 SINGLE LIP DB | 1.000 EA |
| 12XN1032S16 | 10-32X1 HEX HD SLTD STAINLESS STEEL | 2.000 EA |
| 35FH4005A32SP | IEC FH NO GRSR W/3 HOLES - PRIMED | 1.000 EA |
| 11XW1032S06 | 10-32 X .38, TAPTITE II, HEX WSHR SLTD U | 3.000 EA |
| HW4600B39SP | V-RING SLINGER 0.550 X 0.790 X .18 VITON | 1.000 EA |
| HW4600B36SP | V-RING SLINGER 1.188 X 1.690 X .24 VITON | 1.000 EA |
| 35CB4522 | 35 LIPPED CB LID PRIMED | 1.000 EA |
| 35GS1030A02 | 35 GS FOR CB LID - WHITE NEOPRENE | 1.000 EA |
| 59XW0832S07 | TAPTITE II,HEX WSHR UNSLTD SER,410 S.S., | 4.000 EA |
| HW2502D13 | SS KEY, 3/16 SQ X 1.375 | 1.000 EA |
| HA7000A01 | KEY RETAINER 7/8" DIA SHAFT | 1.000 EA |
| 85XU0407S04 | 4X1/4 U DRIVE PIN STAINLESS | 2.000 EA |

| Parts List (continued) | | |
|-------------------------------|---|-----------------|
| Part Number | Description | Quantity |
| MJ5001A27 | 32220KN GRAY SEALER *MIN BUY 4 QTS=1GAL | 0.001 QT |
| LB1164 | LABEL,WARNING AND DRAIN | 1.000 EA |
| HA5027A02 | HA4054 T-DRAIN X2 BAGGED WITH LABEL | 1.000 EA |
| MJ1000A02 | GREASE, POLYREX EM EXXON (USe 4824-15A) | 0.050 LB |
| 34FN3002B01 | EXTERNAL FAN, PLASTIC, .637/.639 HUB W/ | 1.000 EA |
| 51XB1214A16 | 12-14X1.00 HXWSSLD SERTYB | 1.000 EA |
| MG1025W01 | WILKOFAS, 781.01, SIGNAL WHITE #9003 | 0.017 GA |
| MG1500Y02 | WILKOPON PRIMER YELLOW | 0.017 GA |
| HA3100S07 | THRUBOLT 10-32 X 8.375 SS | 4.000 EA |
| MN416A01 | TAG-INSTAL-MAINT no wire (1200/bx) 5/18 | 1.000 EA |
| LC0005 | CONN.DIA.,TY M,9-LD,DUAL VOLT,REVERSING | 1.000 EA |
| NP1669L | SS WD SUPER-E UL CSA-EEV PREM REV MTG | 1.000 EA |
| 36PA1001 | PKG GRP, PRINT PK1017A06 | 1.000 EA |
| FE-0000002 | ZRTG FE ASSEMBLY | 1.000 EA |

AC Induction Motor Performance Data

Record # 31837 - Typical performance - not guaranteed values

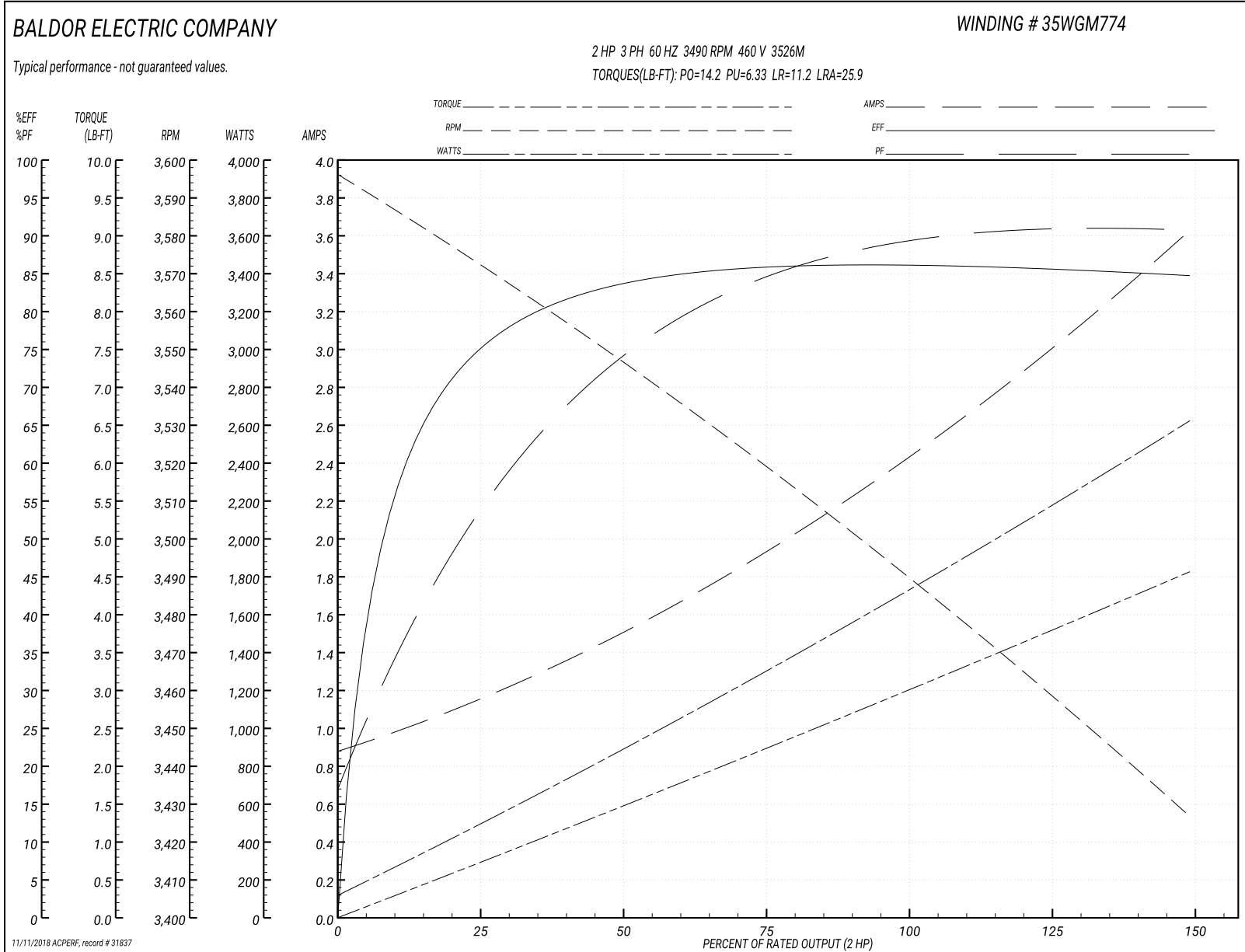
| | | |
|-------------------------------|--------------------|------------------------|
| Winding: 35WGM774-R001 | Type: 3526M | Enclosure: TEFC |
|-------------------------------|--------------------|------------------------|

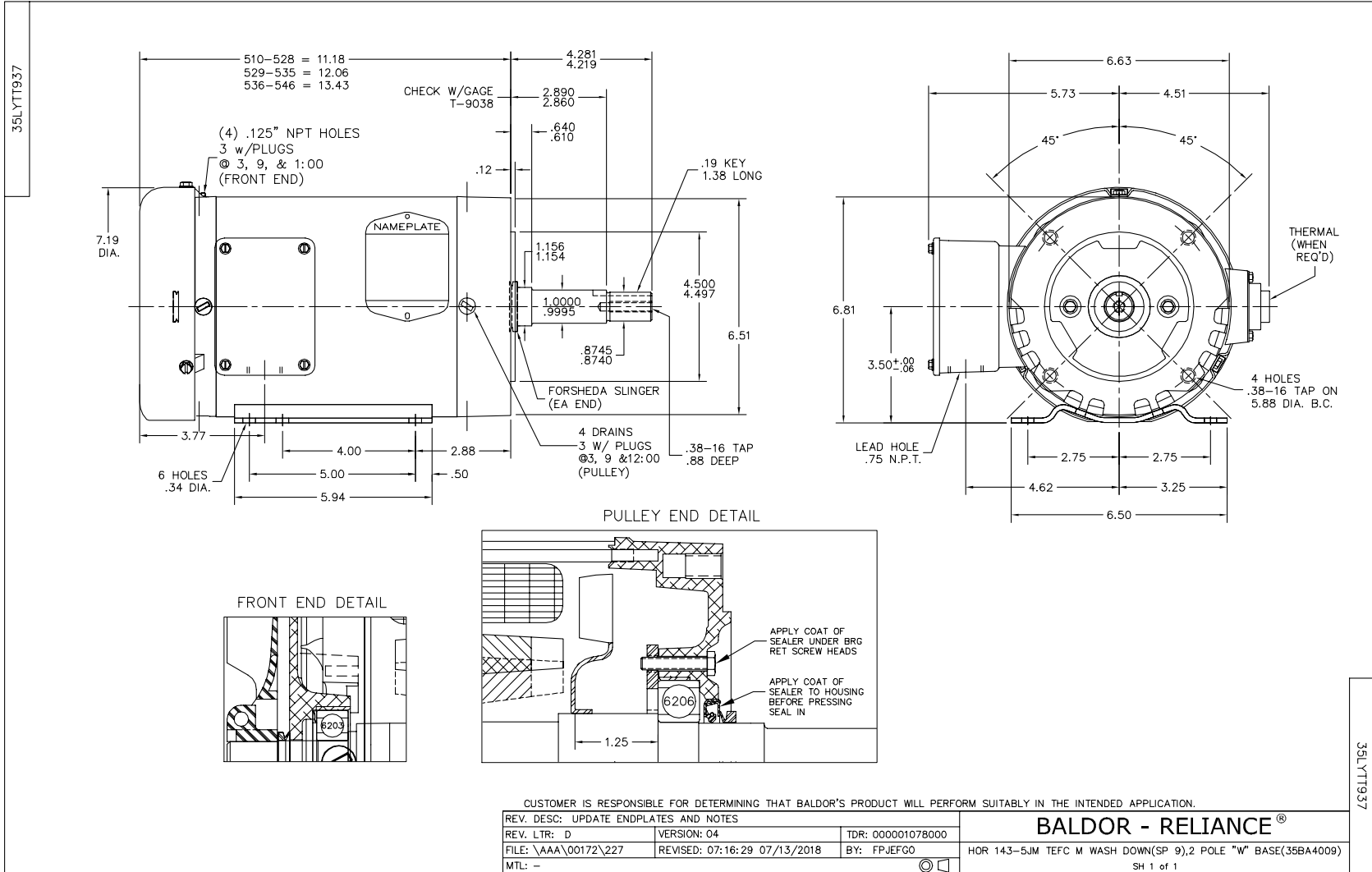
| Nameplate Data | | | | 460 V, 60 Hz: High Voltage Connection | |
|-----------------------|--------------|--------------|----|--|---------------------------|
| Rated Output (HP) | 2 | | | Full Load Torque | 2.98 LB-FT |
| Volts | 208-230/460 | | | Start Configuration | direct on line |
| Full Load Amps | 5.3-5/2.5 | | | Breakdown Torque | 14.2 LB-FT |
| R.P.M. | 3490 | | | Pull-up Torque | 6.33 LB-FT |
| Hz | 60 | Phase | 3 | Locked-rotor Torque | 11.2 LB-FT |
| NEMA Design Code | B | KVA Code | M | Starting Current | 25.9 A |
| Service Factor (S.F.) | 1.15 | | | No-load Current | 0.912 A |
| NEMA Nom. Eff. | 85.5 | Power Factor | 88 | Line-line Res. @ 25°C | 6.9119 Ω |
| Rating - Duty | 40C AMB-CONT | | | Temp. Rise @ Rated Load | 44°C |
| S.F. Amps | | | | Temp. Rise @ S.F. Load | 52°C |
| | | | | Locked-rotor Power Factor | 50 |
| | | | | Rotor inertia | 0.0719 LB-FT ² |

Load Characteristics 460 V, 60 Hz, 2 HP

| % of Rated Load | 25 | 50 | 75 | 100 | 125 | 150 | S.F. |
|-----------------|--------|--------|--------|--------|--------|--------|------|
| Power Factor | 55 | 75 | 84 | 88 | 90 | 91 | 89 |
| Efficiency | 74.3 | 83.5 | 85.9 | 86.4 | 85.9 | 84.8 | 86.1 |
| Speed | 3571.7 | 3546.5 | 3520.2 | 3492.1 | 3460.7 | 3425.5 | 3473 |
| Line amperes | 1.1 | 1.47 | 1.93 | 2.44 | 3 | 3.61 | 2.78 |

Performance Graph at 460V, 60Hz, 2.0HP Typical performance - Not guaranteed values





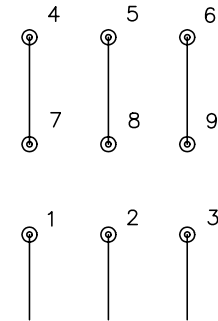
CD0005



LOW VOLTAGE
(2Y)



HIGH VOLTAGE
(1Y)



NOTES:

1. INTERCHANGE ANY TWO LINE LEADS TO REVERSE ROTATION.
2. OPTIONAL THERMOSTATS ARE PROVIDED WHEN SPECIFIED.
3. ACTUAL NUMBER OF INTERNAL PARALLEL CIRCUITS MAY BE A MULTIPLE OF THOSE SHOWN ABOVE.
4. LEAD COLORS ARE OPTIONAL. LEADS MUST ALWAYS BE NUMBERED AS SHOWN.

REV. DESC: REVISE TO SHOW OPTIONAL COLORS

REV. LTR: E BY: JLP

REVISED: 01/19/99 10:15

TDR: 0171435

900000

FILE: AAA00005140

MDL: -

MTL: -

BALDOR ELECTRIC Co.

3PH, DV, 9 LEADS

CD0005