

BALDOR® • RELIANCE 

Product Information Packet

JMEWDM3559T

3HP,3450RPM,3PH,60HZ,145JM,3532M,TEFC,F1

Part Detail							
Revision:	J	Status:	PRD/A	Change #:		Proprietary:	No
Type:	AC	Elec. Spec:	35WGQ060	CD Diagram:	CD0005	Mfg Plant:	
Mech. Spec:	35TT937	Layout:	35LYTT937	Poles:	02	Created Date:	12-04-2014
Base:	RG	Eff. Date:	09-13-2018	Leads:	9#18		

Specs			
Catalog Number:	JMEWDM3559T	Insulation Class:	F
Enclosure:	TEFC	Inverter Code:	Inverter Ready
Frame:	143JM	KVA Code:	L
Frame Material:	Steel	Lifting Lugs:	No Lifting Lugs
Output @ Frequency:	3.000 HP @ 60 HZ	Locked Bearing Indicator:	Locked Bearing
Synchronous Speed @ Frequency:	3600 RPM @ 60 HZ	Motor Lead Quantity/Wire Size:	9 @ 18 AWG
Voltage @ Frequency:	460.0 V @ 60 HZ	Motor Lead Exit:	Ko Box
	230.0 V @ 60 HZ	Motor Lead Termination:	Flying Leads
XP Class and Group:	None	Motor Type:	3532M
XP Division:	Not Applicable	Mounting Arrangement:	F1
Agency Approvals:	UR	Power Factor:	92
	CSA EEV	Product Family:	Wash Down
	CSA	Pulley End Bearing Type:	Sealed Bearing
Auxillary Box:	No Auxillary Box	Pulley Face Code:	C-Face
Auxillary Box Lead Termination:	None	Pulley Shaft Indicator:	Tapped & Key
Base Indicator:	Rigid	Rodent Screen:	None
Bearing Grease Type:	Polyrex EM (-20F +300F)	RoHS Status:	ROHS COMPLIANT
Blower:	None	Shaft Extension Location:	Pulley End

Current @ Voltage:	3.600 A @ 460.0 V	Shaft Ground Indicator:	No Shaft Grounding
	7.200 A @ 230.0 V	Shaft Rotation:	Reversible
	7.900 A @ 208.0 V	Shaft Slinger Indicator:	Shaft Slinger
Design Code:	B	Speed Code:	Single Speed
Drip Cover:	No Drip Cover	Motor Standards:	NEMA
Duty Rating:	CONT	Starting Method:	Direct on line
Electrically Isolated Bearing:	Not Electrically Isolated	Thermal Device - Bearing:	NONE (OLD)
Feedback Device:	NO FEEDBACK	Thermal Device - Winding:	None
Front Face Code:	Standard	Vibration Sensor Indicator:	No Vibration Sensor
Front Shaft Indicator:	None	Winding Thermal 1:	None
Heater Indicator:	No Heater	Winding Thermal 2:	None

Nameplate NP1669L												
CAT.NO.	JMEWDM3559T											
SPEC.	35TT937Q060G1											
HP	3											
VOLTS	230/460											
AMP	7.2/3.6											
RPM	3450											
FRAME	143JM					HZ	60			PH	3	
SER.F.	1.15					CODE	L		DES	B	CLASS	F
NEMA-NOM-EFF	86.5					PF	92					
RATING	40C AMB-CONT											
CC	010A								USABLE AT 208V	7.9		
DE	6206					ODE	6203					
ENCL	TEFC					SN						
BLANK												

Parts List		
Part Number	Description	Quantity
SA290679	SA 35TT937Q060G1	1.000 EA
RA276835	RA 35TT937Q060G1	1.000 EA
NS2512A01	INSULATOR, CONDUIT BOX X	1.000 EA
35CB3010A01W	35 CB .75 NPT @ 6:00, WHITE EPOXY	1.000 EA
35GS1039	05 MOLDED GASKET W/LIP, 1.12 LEAD HOLE,	1.000 EA
51XB1016A07	10-16 X 7/16 HXWSSLD SERTYB	2.000 EA
11XW1032G06	10-32 X .38, TAPTITE II, HEX WSHR SLTD U	1.000 EA
35EP3122B00W	MASTER ODE,203 BRG,.683SH,.125NPT DRNS,F	1.000 EA
HW4072A01	BLACK DRAIN PLUG FOR .125 NPT	3.000 EA
HW4032A01	BLACK DRAIN PLUG FOR WASH DOWN MOTORS	3.000 EA
HW5100A03	WAVY WASHER (W1543-017)	1.000 EA
35EP3401T07MW	PU EP FOR SEAL W/"O" DRILLS & NO GRS, W/	1.000 EA
HW4600B50	SEAL 1.156 X 1.874 X 0.250 SINGLE LIP DB	1.000 EA
12XN1032S16	10-32X1 HEX HD SLTD STAINLESS STEEL	2.000 EA
35FH4005A32SP	IEC FH NO GRSR W/3 HOLES - PRIMED	1.000 EA
11XW1032S06	10-32 X .38, TAPTITE II, HEX WSHR SLTD U	3.000 EA
HW4600B39SP	V-RING SLINGER 0.550 X 0.790 X .18 VITON	1.000 EA
HW4600B36SP	V-RING SLINGER 1.188 X 1.690 X .24 VITON	1.000 EA
35CB4522	35 LIPPED CB LID PRIMED	1.000 EA
35GS1030A02	35 GS FOR CB LID - WHITE NEOPRENE	1.000 EA
59XW0832S07	TAPTITE II,HEX WSHR UNSLTD SER,410 S.S.,	4.000 EA
HW2502D13	SS KEY, 3/16 SQ X 1.375	1.000 EA
HA7000A01	KEY RETAINER 7/8" DIA SHAFT	1.000 EA
85XU0407S04	4X1/4 U DRIVE PIN STAINLESS	2.000 EA

Parts List (continued)		
Part Number	Description	Quantity
MJ5001A27	32220KN GRAY SEALER *MIN BUY 4 QTS=1GAL	0.001 QT
LB1164	LABEL,WARNING AND DRAIN	1.000 EA
HA5027A02	HA4054 T-DRAIN X2 BAGGED WITH LABEL	1.000 EA
MJ1000A02	GREASE, POLYREX EM EXXON (USe 4824-15A)	0.050 LB
34FN3002B01	EXTERNAL FAN, PLASTIC, .637/.639 HUB W/	1.000 EA
51XB1214A16	12-14X1.00 HXWSSLD SERTYB	1.000 EA
MG1025W01	WILKOFAS, 781.01, SIGNAL WHITE #9003	0.017 GA
MG1500Y02	WILKOPON PRIMER YELLOW	0.017 GA
HA3100S09	THRUBOLT 9.25 LENGTH SS	4.000 EA
MN416A01	TAG-INSTAL-MAINT no wire (1200/bx) 5/18	1.000 EA
LC0005	CONN.DIA.,TY M,9-LD,DUAL VOLT,REVERSING	1.000 EA
NP1669L	SS WD SUPER-E UL CSA-EEV PREM REV MTG	1.000 EA
36PA1001	PKG GRP, PRINT PK1017A06	1.000 EA
FE-0000002	ZRTG FE ASSEMBLY	1.000 EA

AC Induction Motor Performance Data

Record # 50261 - Typical performance - not guaranteed values

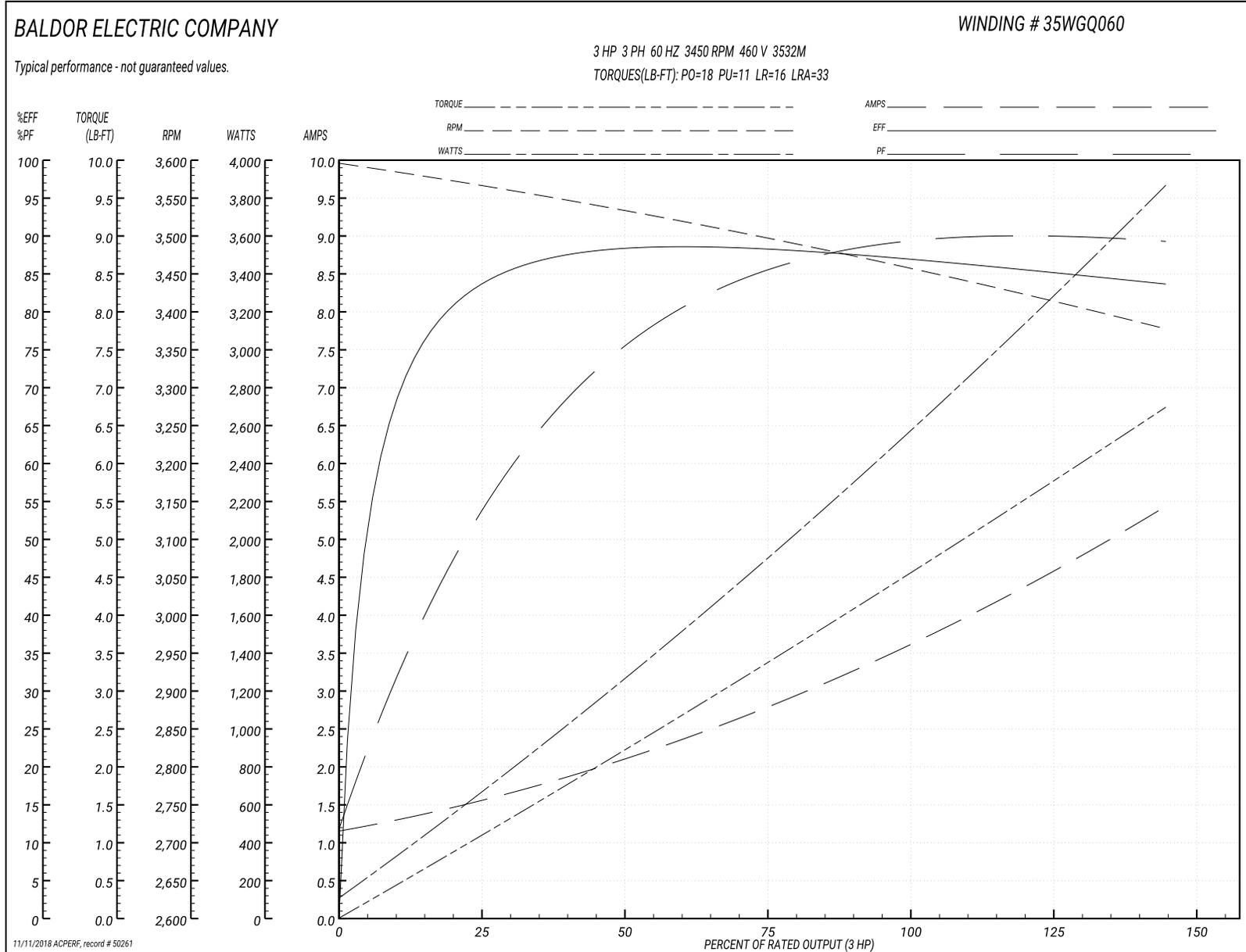
Winding: 35WGQ060-R002	Type: 3532M	Enclosure: TEFC
-------------------------------	--------------------	------------------------

Nameplate Data				460 V, 60 Hz: High Voltage Connection	
Rated Output (HP)	3			Full Load Torque	4.5 LB-FT
Volts	230/460			Start Configuration	direct on line
Full Load Amps	7.2/3.6			Breakdown Torque	18 LB-FT
R.P.M.	3450			Pull-up Torque	11 LB-FT
Hz	60	Phase	3	Locked-rotor Torque	16 LB-FT
NEMA Design Code	B	KVA Code	L	Starting Current	33 A
Service Factor (S.F.)	1.15			No-load Current	1.2 A
NEMA Nom. Eff.	86.5	Power Factor	92	Line-line Res. @ 25°C	4.72 Ω
Rating - Duty	40C AMB-CONT			Temp. Rise @ Rated Load	61°C
S.F. Amps				Temp. Rise @ S.F. Load	76°C

Load Characteristics 460 V, 60 Hz, 3 HP

% of Rated Load	25	50	75	100	125	150	S.F.
Power Factor	62	81	88	92	93	94	93
Efficiency	83.7	87.9	88.2	87.2	85.6	83.5	86.2
Speed	3562	3531	3498	3462	3421	3375	3437
Line amperes	1.5	2.1	2.8	3.6	4.5	5.4	4.1

Performance Graph at 460V, 60Hz, 3.0HP Typical performance - Not guaranteed values



AC Induction Motor Performance Data

Record # 59171 - Typical performance - not guaranteed values

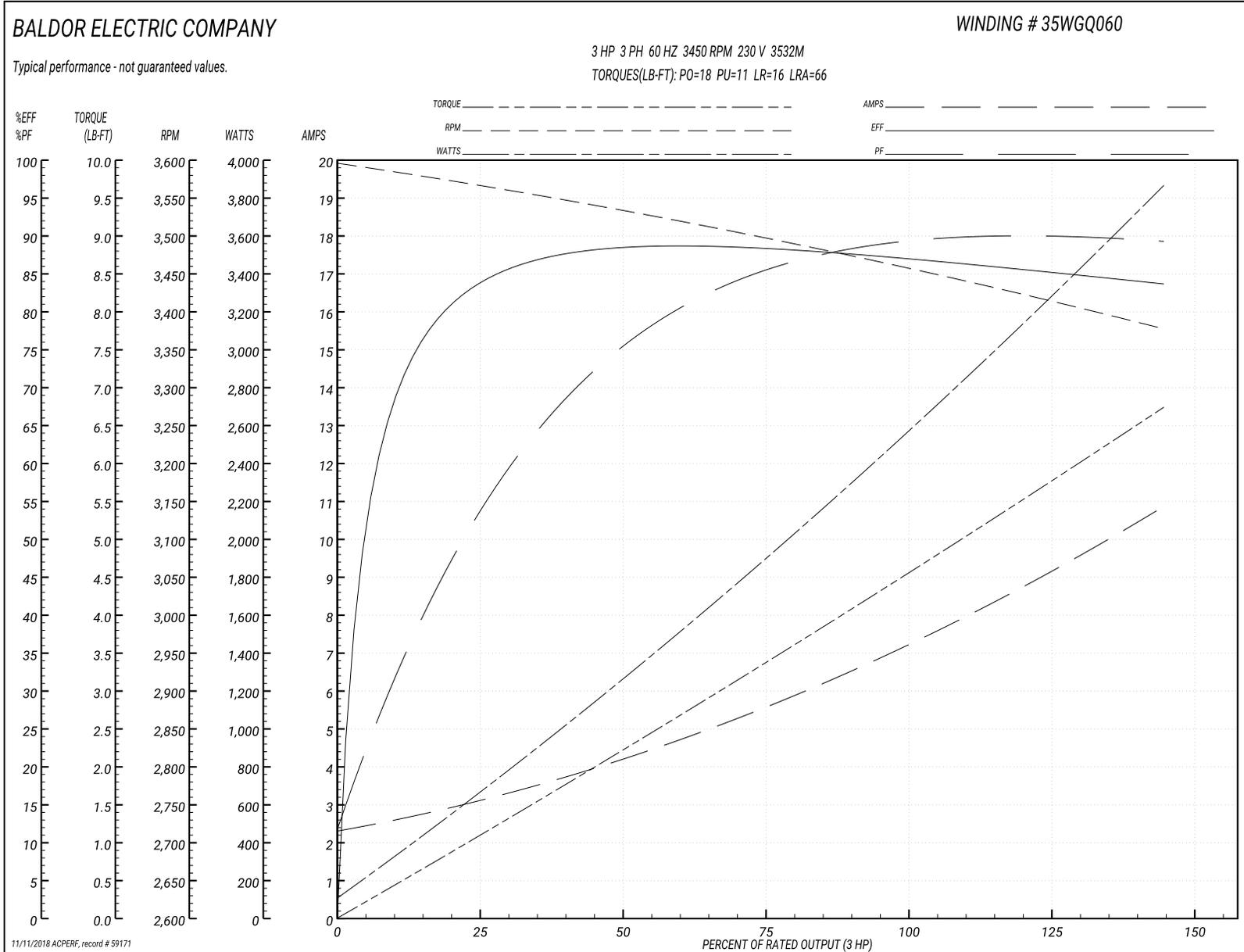
Winding: 35WGQ060-R002	Type: 3532M	Enclosure: TEFC
-------------------------------	--------------------	------------------------

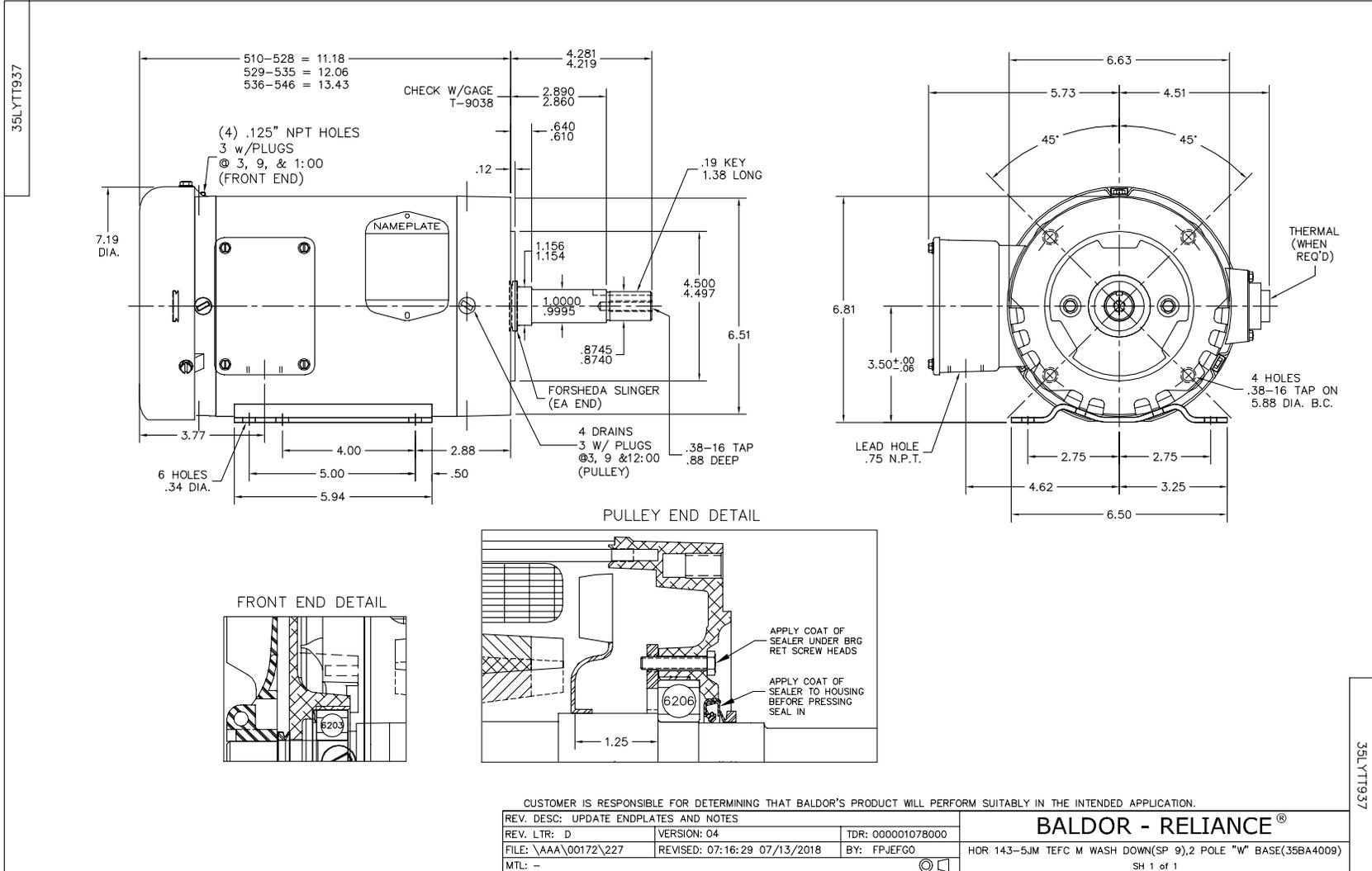
Nameplate Data				230 V, 60 Hz: Low Voltage Connection	
Rated Output (HP)	3			Full Load Torque	4.5 LB-FT
Volts	230/460			Start Configuration	direct on line
Full Load Amps	7.2/3.6			Breakdown Torque	18 LB-FT
R.P.M.	3450			Pull-up Torque	11 LB-FT
Hz	60	Phase	3	Locked-rotor Torque	16 LB-FT
NEMA Design Code	B	KVA Code	L	Starting Current	66 A
Service Factor (S.F.)	1.15			No-load Current	2.4 A
NEMA Nom. Eff.	86.5	Power Factor	92	Line-line Res. @ 25°C	1.17 Ω
Rating - Duty	40C AMB-CONT			Temp. Rise @ Rated Load	61°C
S.F. Amps				Temp. Rise @ S.F. Load	73°C
				Locked-rotor Power Factor	47.1
				Rotor inertia	0.0885 LB-FT ²

Load Characteristics 230 V, 60 Hz, 3 HP

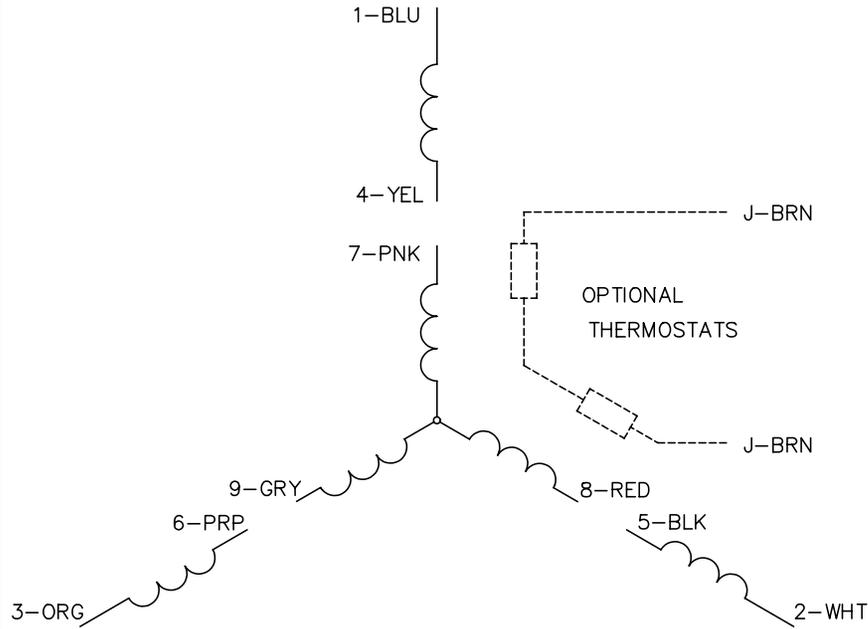
% of Rated Load	25	50	75	100	125	150	S.F.
Power Factor	57	77	85	88	89	90	89
Efficiency	84.1	87.9	88.4	87.2	85.7	83.5	86.3
Speed	3562	3531	3498	3462	3421	3375	3437
Line amperes	3	4.2	5.6	7.2	9	10.8	8.28

Performance Graph at 230V, 60Hz, 3.0HP Typical performance - Not guaranteed values

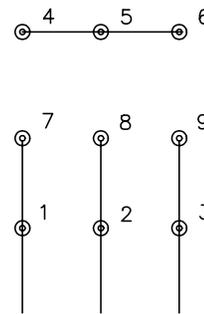




CD0005

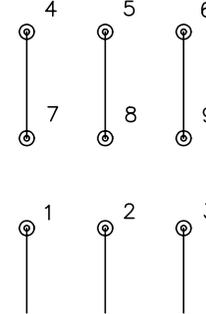


LOW VOLTAGE
(2Y)



LINE

HIGH VOLTAGE
(1Y)



LINE

NOTES:

1. INTERCHANGE ANY TWO LINE LEADS TO REVERSE ROTATION.
2. OPTIONAL THERMOSTATS ARE PROVIDED WHEN SPECIFIED.
3. ACTUAL NUMBER OF INTERNAL PARALLEL CIRCUITS MAY BE A MULTIPLE OF THOSE SHOWN ABOVE.
4. LEAD COLORS ARE OPTIONAL. LEADS MUST ALWAYS BE NUMBERED AS SHOWN.

REV. DESC: REVISE TO SHOW OPTIONAL COLORS			
REV. LTR: E	BY: JLP	REVISED: 01/19/99 10:15	TDR: 0171435
9000D		FILE: AAA00005140	MDL: -
		MTL: -	

BALDOR ELECTRIC Co.

3PH, DV, 9 LEADS

CD0005