

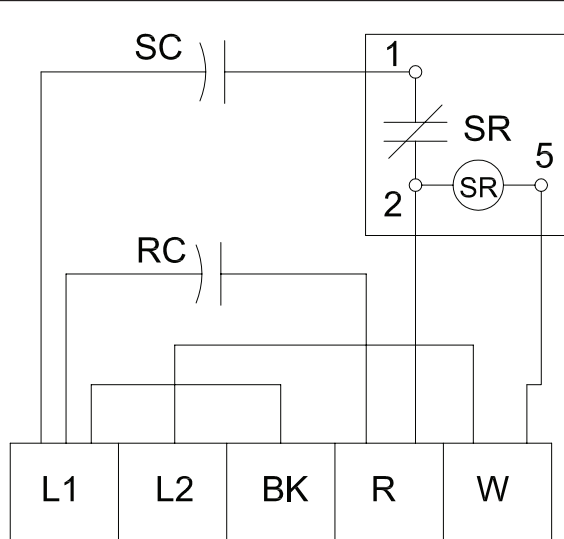
Capacitor/Relay Packs

Plate Mounted
For Single Phase Pumps

BARNES®

www.cranepumps.com

Control Panels & Accessories



Specifications:

If other than BARNES panels are used with the following single phase pumps, the capacitor/relay pack must be used for warranty compliance.

Each Capacitor/Relay Pack includes:

- Mounting Plate, white, 8" (203mm) x 6" (152mm)
- Start Capacitor
- Run Capacitor
- Capacitor Mounts
- Start Relay
- Terminal Block
- Line Jumper wire
- Four Screws
- Components are mounted to plate and prewired

P/N's: 073301 - 073306A

PART No.	PUMP MODEL	HP	VOLT	PHASE
073306	SGV2022L, SGVF, SGVH	2	240	1
073306A	SGVF & SGVH2002L	2	200	1
073302	SGV3002L, SGV3072L	3	200	1
073303	SGV3022L, SGV3072L	3	230	1
073304	SGV5002L	5	200	1
073305	SGV5022L, Prior to 05/2003	5	230	1
073305A	SGV5022L, After 05/2003	5	240	1
073301	4SE4526L	4.5	230	1
	4SE4524L	4.5	230	1
	4SE4526HL	4.5	230	1
	4SE7524L	7.5	230	1
	4SE7524HL	7.5	230	1
073306	XSGV2022L	2	230	1
073303	XSGV3002L	3	200	1
	XSGV3022L	3	230	1
073305A	XSGV5002L	5	200	1
	XSGV5022L	5	230	1
147109	ZSGV2072L	2	208-240	1



WARNING:

CANCER AND REPRODUCTIVE HARM -
WWW.P65WARNINGS.CA.GOV

SECTION A
PAGE 42
DATE 12/18

CRANE
A Crane Co. Company

PUMPS & SYSTEMS

A Crane Co. Company

USA: (937) 778-8947 • Canada: (905) 457-6223 • International: (937) 615-3598