

**BALDOR® • RELIANCE** 

**Product Information Packet**

**JPL1408T**

**3HP,1725RPM,1PH,60HZ,184JP,3634LC,OPEN**

Part Detail							
Revision:	AL	Status:	PRD/A	Change #:		Proprietary:	No
Type:	AC	Elec. Spec:	36WG2759	CD Diagram:	CD0016A01	Mfg Plant:	
Mech. Spec:	36E774	Layout:	36LYE774	Poles:	04	Created Date:	
Base:	RG	Eff. Date:	01-19-2017	Leads:	4#14 A PH,3#16 B PH		

Specs			
Catalog Number:	JPL1408T	Insulation Class:	F
Enclosure:	OPEN	Inverter Code:	Not Inverter
Frame:	184JP	KVA Code:	H
Frame Material:	Steel	Lifting Lugs:	No Lifting Lugs
Output @ Frequency:	3.000 HP @ 60 HZ	Locked Bearing Indicator:	Locked Bearing
Synchronous Speed @ Frequency:	1800 RPM @ 60 HZ	Motor Lead Quantity/Wire Size:	4 @ 14 AWG, A PH
Voltage @ Frequency:	230.0 V @ 60 HZ	Motor Lead Exit:	Ko Box
	115.0 V @ 60 HZ	Motor Lead Termination:	Flying Leads
XP Class and Group:	None	Motor Type:	3634LC
XP Division:	Not Applicable	Mounting Arrangement:	F1
Agency Approvals:	CSA	Power Factor:	78
	UR	Product Family:	General Purpose
Auxillary Box:	No Auxillary Box	Pulley End Bearing Type:	Ball
Auxillary Box Lead Termination:	None	Pulley Face Code:	C-Face
Base Indicator:	Rigid	Pulley Shaft Indicator:	Tapped & Key
Bearing Grease Type:	Polyrex EM (-20F +300F)	Rodent Screen:	Included
Blower:	None	Shaft Extension Location:	Pulley End
Current @ Voltage:	16.000 A @ 230.0 V	Shaft Ground Indicator:	No Shaft Grounding

	16.800 A @ 208.0 V	<b>Shaft Rotation:</b>	Reversible
	32.000 A @ 115.0 V	<b>Shaft Slinger Indicator:</b>	Shaft Slinger
<b>Design Code:</b>	L	<b>Speed Code:</b>	Single Speed
<b>Drip Cover:</b>	No Drip Cover	<b>Motor Standards:</b>	NEMA
<b>Duty Rating:</b>	CONT	<b>Starting Method:</b>	Direct on line
<b>Electrically Isolated Bearing:</b>	Not Electrically Isolated	<b>Thermal Device - Bearing:</b>	NONE (OLD)
<b>Feedback Device:</b>	NO FEEDBACK	<b>Thermal Device - Winding:</b>	None
<b>Front Face Code:</b>	Standard	<b>Vibration Sensor Indicator:</b>	No Vibration Sensor
<b>Front Shaft Indicator:</b>	None	<b>Winding Thermal 1:</b>	None
<b>Heater Indicator:</b>	No Heater	<b>Winding Thermal 2:</b>	None

Nameplate NP1256L										
CAT.NO.	JPL1408T									
SPEC.	36E774-2759									
HP	3									
VOLTS	115/230									
AMP	32/16									
RPM	1725									
FRAME	184JP				HZ	60			PH	1
SER.F.	1.15		CODE	H	DES	L		CLASS	F	
NEMA-NOM-EFF	78		PF	78						
RATING	40C AMB-CONT									
CC								USABLE AT 208V	16.8	
DE	6207			ODE	6205					
ENCL	OPEN		SN							

Parts List		
Part Number	Description	Quantity
SA034724	SA 36E774-2759	1.000 EA
RA030752	RA 36E774-2759	1.000 EA
36CB3004	36 CB CASTING W/1.09 DIA LEAD HOLE @ 6:0	1.000 EA
51XB1016A08	10-16X 1/2HXWSSLD SERTYB	2.000 EA
11XW1032G06	10-32 X .38, TAPTITE II, HEX WSHR SLTD U	1.000 EA
HW3001B01	BRASS CUP WASHER, FOR #10 SCREW	1.000 EA
36FE3200A25	FREP ASSEMBLY FOR ROUTING PURPOSES	1.000 EA
HW4500A01	1641B(ALEMITE)400 UNIV, GREASE FITT	1.000 EA
HW4500A17	317400 ALEMITE GREASE RELIEF	1.000 EA
HA1103A08	RODENT SCREEN, 36 FRAME, OPEN, FRONT END	1.000 EA
51XW1032A06	10-32 X .38, TAPTITE II, HEX WSHR SLTD S	4.000 EA
HW1000A10	#10 FLAT WASHER (SAE)	4.000 EA
SP1008A01	BAFFLE, MODEL 36 & 37	1.000 EA
13XF0832A08	8-32 X.50 PAN HD,SLTD, TYPE F SCREW, ZIN	2.000 EA
10XN2520A12	O1/4-20X 3/4 HEX HEAD CAP	2.000 EA
HW5100A05	WVY WSHR F/205 & 304 BRGS	1.000 EA
36EP1402A16	SPL.FACE MTD.EP.36 FR-OPEN-207 BRG/GREAS	1.000 EA
36AD2000	AIR BAFFLE	1.000 EA
60XW0632A06	6-32 X 3/8 TORX HEAD SCREW TAPTITE II	4.000 EA
HW4500A01	1641B(ALEMITE)400 UNIV, GREASE FITT	1.000 EA
HW4500A17	317400 ALEMITE GREASE RELIEF	1.000 EA
HA1102A07	RODENT SCREEN 36 OPEN FACE	2.000 EA
HW1000A10	#10 FLAT WASHER (SAE)	4.000 EA
10XN2520A26	1/4-20X 1 5/8 HEX HD	4.000 EA

Parts List (continued)		
Part Number	Description	Quantity
HW1001A25	LOCKWASHER 1/4, ZINC PLT .493 OD, .255 I	4.000 EA
36CB4516	36 LIPPED CB LID - GALVANNEAL	1.000 EA
51XW0832A07	8-32 X .44, TAPTITE II, HEX WSHR SLTD SE	4.000 EA
HA2009A01	36-4613 SL ANOD. ALUM (STER	1.000 EA
80XN1032A06	10-32 X 3/8 SET SC HEX SOCK	1.000 EA
HW2501D13	KEY, 3/16 SQ X 1.375	1.000 EA
HA7000A01	KEY RETAINER 7/8" DIA SHAFT	1.000 EA
85XU0407S04	4X1/4 U DRIVE PIN STAINLESS	2.000 EA
MJ1000A02	GREASE, POLYREX EM EXXON (USe 4824-15A)	0.050 LB
MG1000G27	MED CHARCOAL METALLIC GREY 400-0096	0.022 GA
HA3101A25	THRUBOLT 1/4-20 X 11.000 OHIO ROD	4.000 EA
36CB5010A01	CAPACITOR BOX KIT, 36CB3800, OC3020F12	1.000 EA
SP5172A38	37 TYPE LC TORQ STAT SWITCH LEAD ASSEMBL	1.000 EA
LB1119N	WARNING LABEL	1.000 EA
LC0016	CONNECTION LABEL	1.000 EA
NP1256L	ALUM UL CSA CC INDUSTRIAL MOTOR A60	1.000 EA
G7PA1000	PKG GRP, PRINT PK1034A06	1.000 EA
MN416A01	TAG-INSTAL-MAINT no wire (1200/bx) 5/18	1.000 EA

**AC Induction Motor Performance Data**

Record # 61451 - Typical performance - not guaranteed values

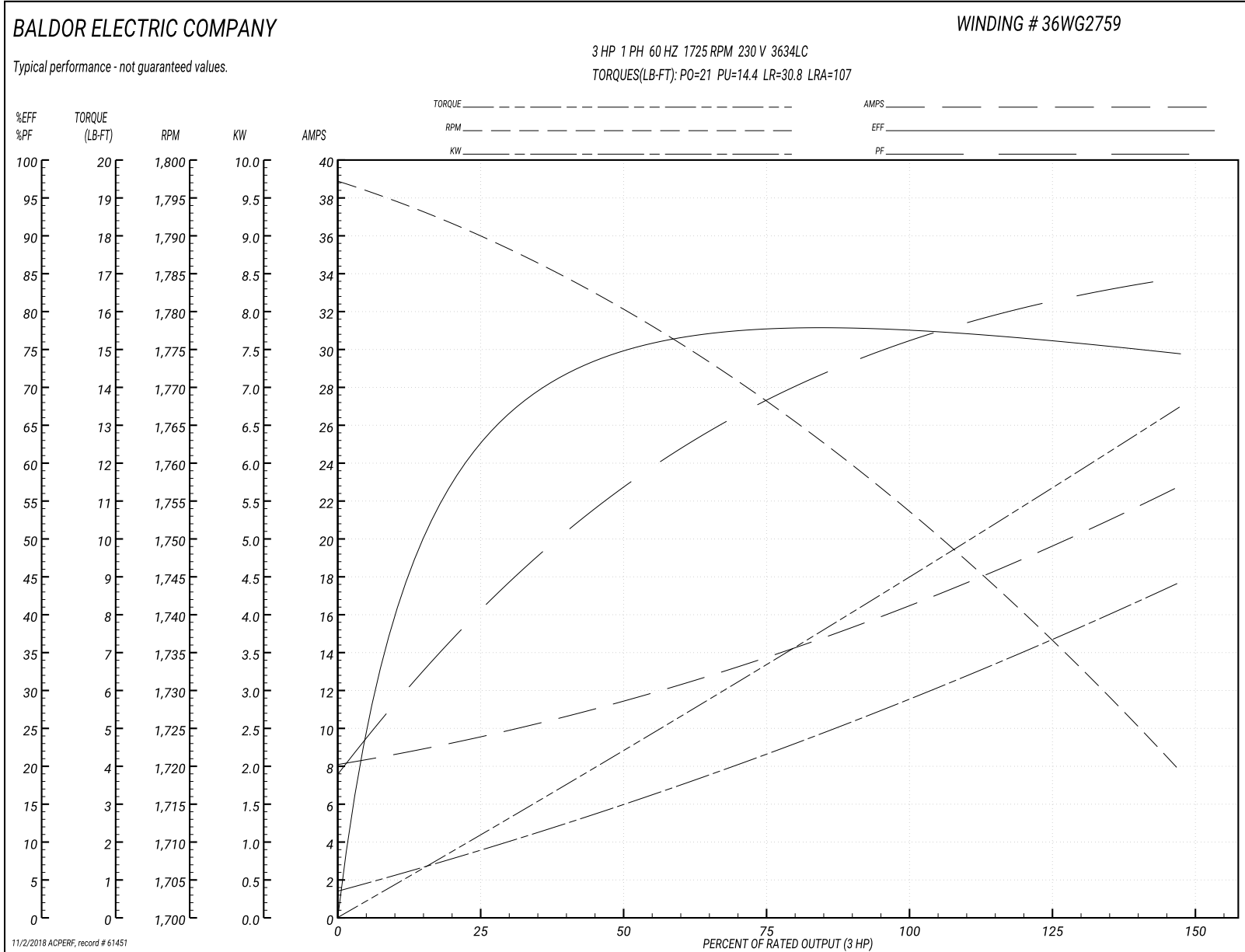
<b>Winding:</b> 36WG2759-R003	<b>Type:</b> 3634LC	<b>Enclosure:</b> OPEN
-------------------------------	---------------------	------------------------

Nameplate Data				230 V, 60 Hz: High Voltage Connection	
Rated Output (HP)	3			Full Load Torque	9 LB-FT
Volts	115/230			Start Configuration	direct on line
Full Load Amps	32/16			Breakdown Torque	21 LB-FT
R.P.M.	1725			Pull-up Torque	14.4 LB-FT
Hz	60	Phase	1	Locked-rotor Torque	30.8 LB-FT
NEMA Design Code	L	KVA Code	H	Starting Current	107 A
Service Factor (S.F.)	1.15			No-load Current	8.5 A
NEMA Nom. Eff.	78	Power Factor	78	Line-line Res. @ 25°C	4.156 Ω A Ph 0.586 Ω B Ph
Rating - Duty	40C AMB-CONT			Temp. Rise @ Rated Load	57°C
S.F. Amps				Temp. Rise @ S.F. Load	72°C

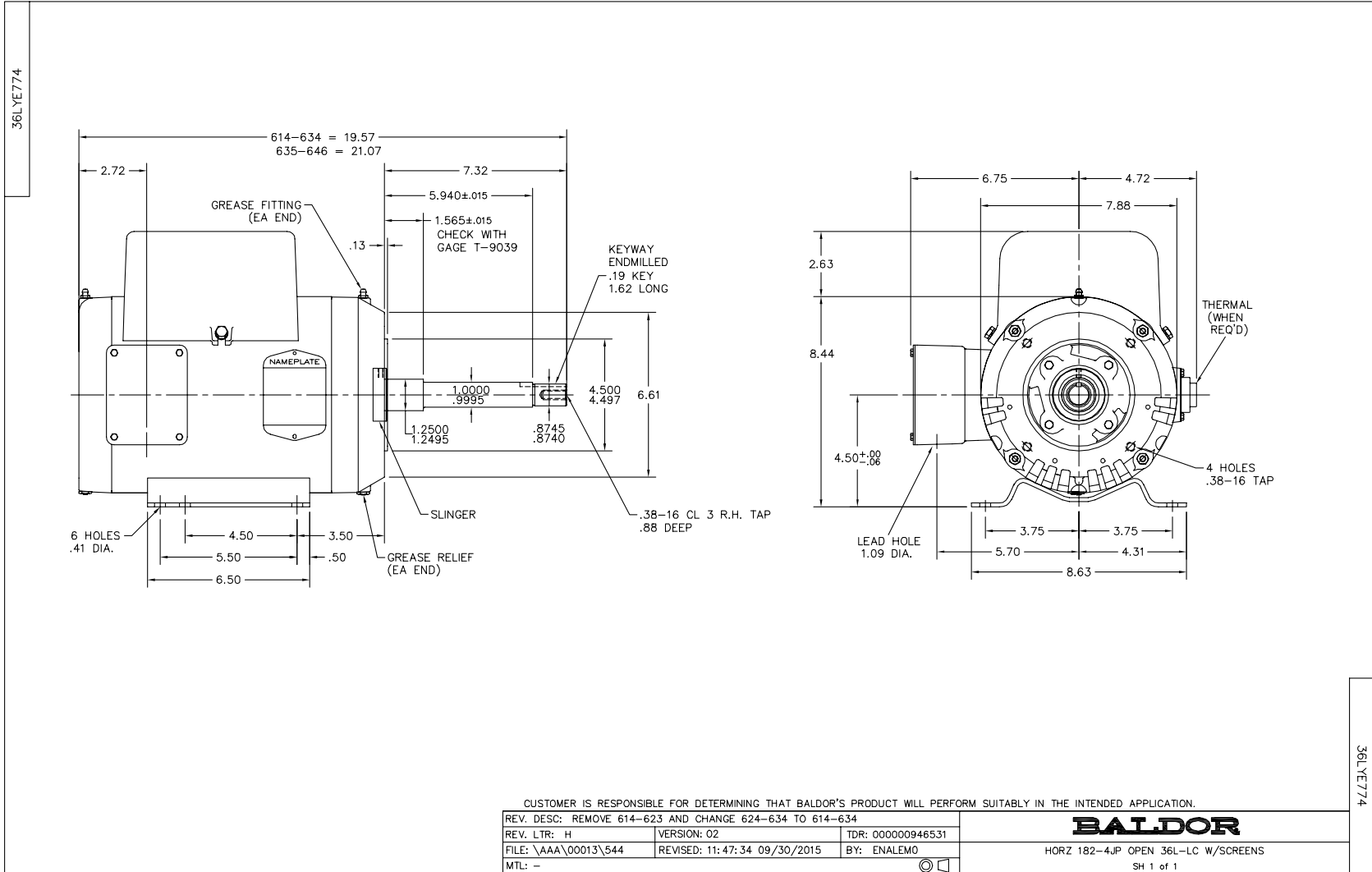
Load Characteristics 230 V, 60 Hz, 3 HP

% of Rated Load	25	50	75	100	125	150	S.F.
Power Factor	45	64	73	79	85	83	83
Efficiency	62.6	74.9	78.6	78	75	74.9	76.1
Speed	1788	1780	1769	1756	1733	1721	1742
Line amperes	9.1	10.4	15.8	16	19	23	17.8

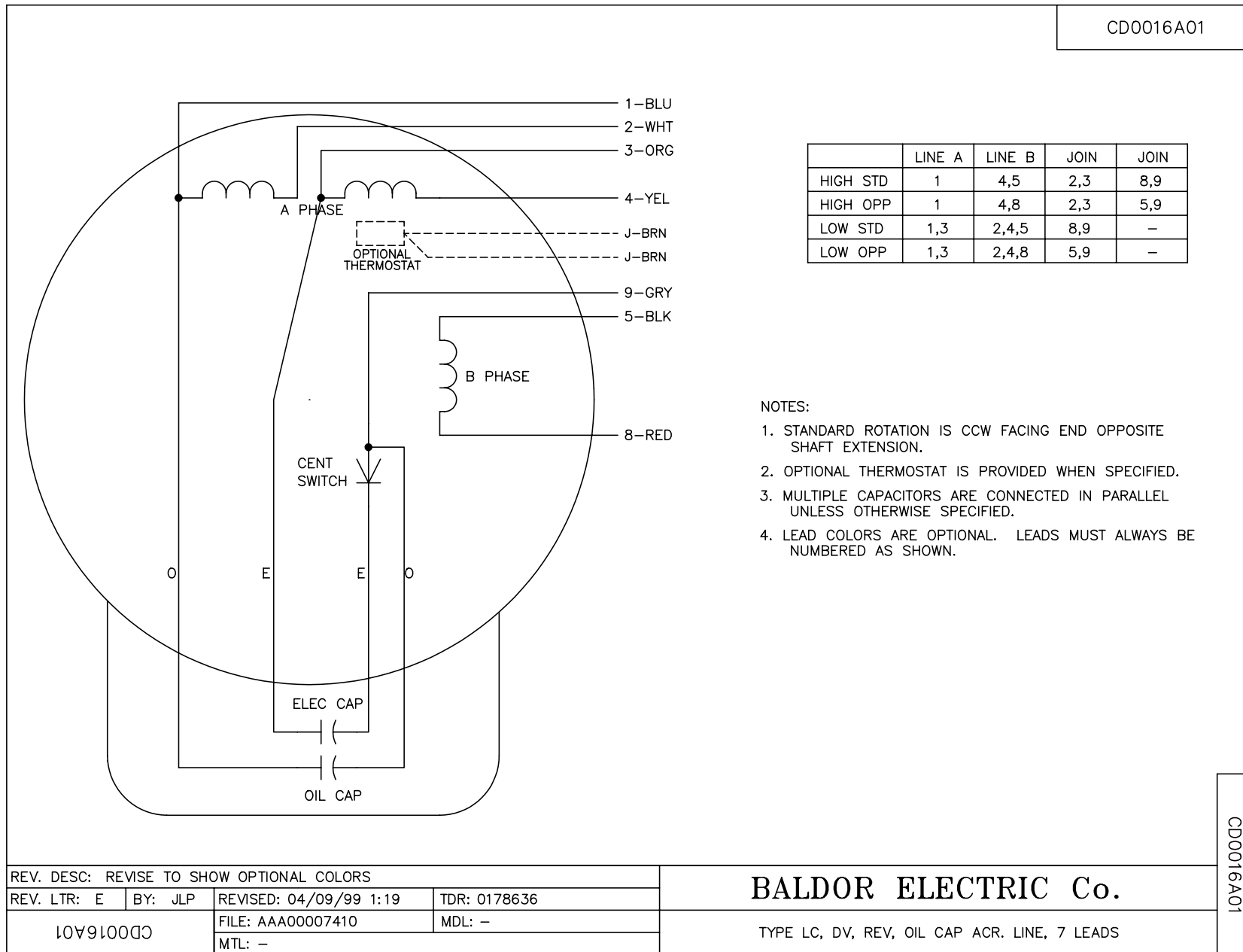
Performance Graph at 230V, 60Hz, 3.0HP Typical performance - Not guaranteed values







CDO016A01



REV. DESC: REVISE TO SHOW OPTIONAL COLORS			
REV. LTR: E	BY: JLP	REVISED: 04/09/99 1:19	TDR: 0178636
10V91000		FILE: AAA00007410	MDL: -
CDO016A01		MTL: -	

**BALDOR ELECTRIC Co.**

TYPE LC, DV, REV, OIL CAP ACR. LINE, 7 LEADS

CDO016A01