

BALDOR® • RELIANCE 

Product Information Packet

JPL1512T

10HP,1725RPM,1PH,60HZ,215JP,3744LC,ODTF

Part Detail							
Revision:	S	Status:	PRD/A	Change #:		Proprietary:	No
Type:	AC	Elec. Spec:	37WGY497	CD Diagram:	CD0086	Mfg Plant:	
Mech. Spec:	37H940	Layout:	37LYH940	Poles:	04	Created Date:	
Base:	RG	Eff. Date:	03-05-2018	Leads:	2#8 A PH,2#14 B PH		

Specs			
Catalog Number:	JPL1512T	Inverter Code:	Not Inverter
Enclosure:	ODTF	KVA Code:	F
Frame:	215JP	Lifting Lugs:	Standard Lifting Lugs
Frame Material:	Steel	Locked Bearing Indicator:	Locked Bearing
Output @ Frequency:	10.000 HP @ 60 HZ	Motor Lead Quantity/Wire Size:	2 @ 8 AWG, A PH
Synchronous Speed @ Frequency:	1800 RPM @ 60 HZ	Motor Lead Exit:	Ko Box
Voltage @ Frequency:	230.0 V @ 60 HZ	Motor Lead Termination:	Flying Leads
XP Class and Group:	None	Motor Type:	3744LC
XP Division:	Not Applicable	Mounting Arrangement:	F1
Agency Approvals:	CSA	Power Factor:	94
	UR	Product Family:	General Purpose
Auxillary Box:	No Auxillary Box	Pulley End Bearing Type:	Ball
Auxillary Box Lead Termination:	None	Pulley Face Code:	C-Face
Base Indicator:	Rigid	Pulley Shaft Indicator:	Tapped & Key
Bearing Grease Type:	Polyrex EM (-20F +300F)	Rodent Screen:	Included
Blower:	None	Shaft Extension Location:	Pulley End
Current @ Voltage:	41.000 A @ 230.0 V	Shaft Ground Indicator:	No Shaft Grounding
	45.000 A @ 208.0 V	Shaft Rotation:	Reversible

Design Code:	L	Shaft Slinger Indicator:	No Slinger
Drip Cover:	Drip Cover	Speed Code:	Single Speed
Duty Rating:	CONT	Motor Standards:	NEMA
Electrically Isolated Bearing:	Not Electrically Isolated	Starting Method:	Direct on line
Feedback Device:	NO FEEDBACK	Thermal Device - Bearing:	NONE (OLD)
Front Face Code:	Drip Cover Mounting	Thermal Device - Winding:	None
Front Shaft Indicator:	None	Vibration Sensor Indicator:	No Vibration Sensor
Heater Indicator:	No Heater	Winding Thermal 1:	None
Insulation Class:	F	Winding Thermal 2:	None

Nameplate NP1256L										
CAT.NO.	JPL1512T									
SPEC.	37H940Y497									
HP	10									
VOLTS	230									
AMP	41									
RPM	1725									
FRAME	215JP				HZ	60			PH	1
SER.F.	1.15		CODE	F	DES	L		CLASS	F	
NEMA-NOM-EFF	84		PF	94						
RATING	40C AMB-CONT									
CC								USABLE AT 208V	45	
DE	6309				ODE	6206				
ENCL	ODTF		SN							

Parts List		
Part Number	Description	Quantity
SA088195	SA 37H940Y497	1.000 EA
RA081123	RA 37H940Y497	1.000 EA
OC3040F18SP	7YL OIL CAP 40MFD/370V	2.000 EA
EC1216C06SP	ELEC CAP, 216-259 MFD, 250V, 2.06D X 4.	3.000 EA
HW3200A01	3/8-16X3/4 I-BLT WELDED F/S	1.000 EA
11XW1032G06	10-32 X .38, TAPTITE II, HEX WSHR SLTD U	1.000 EA
HW3001B02	BRASS CUP WASHER W/GROUND SYMBOL TAB,	1.000 EA
13XF0832A08	8-32 X.50 PAN HD,SLTD, TYPE F SCREW, ZIN	2.000 EA
37EP3203B01	B00 W/2ND GREASER	1.000 EA
HW4500A01	1641B(ALEMITE)400 UNIV, GREASE FITT	1.000 EA
HA1104A01	RODENT SCREEN 37 FRAME 206 BRG FRONT END	1.000 EA
51XW1032A06	10-32 X .38, TAPTITE II, HEX WSHR SLTD S	4.000 EA
HW1000A10	#10 FLAT WASHER (SAE)	4.000 EA
HW4500A19	1/4-28X1/4 SLOTTED PLUG F/S	1.000 EA
37CB3804A01	SPL CAPAC. BOX 37 MOTORS FOR 6-7 CAPAC.	1.000 EA
37CB2804	ADAPTER, 37 KO BOX (SHOE BOX)	2.000 EA
37GS1017	GASKET - CONDUT BOX .06 THK NEOPRENE	4.000 EA
19XW2520A16	SCREW,1/4-20X1 TAPTITE-II OR ROLOC 91	4.000 EA
HW1001A25	LOCKWASHER 1/4, ZINC PLT .493 OD, .255 I	4.000 EA
37CB4509	CAPAC BOX LID, STAMPED	1.000 EA
51XW0832A07	8-32 X .44, TAPTITE II, HEX WSHR SLTD SE	6.000 EA
HA6003A47	CAPAC CLAMP	1.000 EA
HA6003A45	CAPAC CLAMP - CLIP (WHITE ZINC PLATED)	2.000 EA
51XB1016A07	10-16 X 7/16 HXWSSLD SERTYB	4.000 EA

Parts List (continued)		
Part Number	Description	Quantity
SP1008A01	BAFFLE, MODEL 36 & 37	1.000 EA
HW5100A06	W2420-025 WVY WSHR (WB)	1.000 EA
37EP3401A06	PUEP OPEN 309 BRG W/BAFF, SLINGER, SCREE	1.000 EA
HA1222	RODENT SCREEN - 37 C-FACE MOTORS	1.000 EA
51XW1032A06	10-32 X .38, TAPTITE II, HEX WSHR SLTD S	4.000 EA
HW1000A10	#10 FLAT WASHER (SAE)	4.000 EA
37AD2000A02	BAFFLE PLATE, STAMPED PLATED	1.000 EA
60XW0632A06	6-32 X 3/8 TORX HEAD SCREW TAPTITE II	4.000 EA
HW4500A01	1641B(ALEMITE)400 UNIV, GREASE FITT	1.000 EA
HW4500A17	317400 ALEMITE GREASE RELIEF	1.000 EA
10XN2520A36	1/4-20X 2 1/4 HEX HD X	4.000 EA
XY3118A12	5/16-18 HEX NUT DIRECTIONAL SERRATION	4.000 EA
37FN3002A01SP	EXFN, PLASTIC, 9.00 OD, 1.155 ID	1.000 EA
51XB1214A20	12-14X1.25 HXWSSLD SERTYB	1.000 EA
37FH4000A05SP	DRIP COVER, W/ PRIMER	1.000 EA
51XW1032A06	10-32 X .38, TAPTITE II, HEX WSHR SLTD S	3.000 EA
HA2009A02	SLINGER MODEL 37 PUMP MOTORS-2.75 DIA. A	1.000 EA
80XN1032A06	10-32 X 3/8 SET SC HEX SOCK	1.000 EA
HW2501E20	KEY, 1/4 SQ X 2.250	1.000 EA
HA7000A02	KEY RETAINER RING, 1 1/8 DIA, 1 3/8 DIA	1.000 EA
85XU0407S04	4X1/4 U DRIVE PIN STAINLESS	2.000 EA
LB1115N	LABEL,LIFTING DEVICE (ON ROLLS)	1.000 EA
WD1000A03	41531 AMP FLG.TERM,4M/REEL(2.5MIL)	2.000 EA
MJ1000A02	GREASE, POLYREX EM EXXON (USe 4824-15A)	0.050 LB

Product Information Packet: JPL1512T - 10HP,1725RPM,1PH,60HZ,215JP,3744LC,ODTF

HA3104A17	5/16-18X13.250 T-BLT/OHIO	4.000 EA
MG1000G27	MED CHARCOAL METALLIC GREY 400-0096	0.028 GA
SP5172A03	37 TYPE L TORQ STAT SWITCH LEAD ASSEMBLY	1.000 EA
LB1119N	WARNING LABEL	1.000 EA
LC0086	CONNECTION LABEL	1.000 EA
NP1256L	ALUM UL CSA CC INDUSTRIAL MOTOR A60	1.000 EA
37PA1039	PALLET PACK GRP, PRINT PK1026A06	1.000 EA
PK3085X	FOAM SHAFT SUPPORT PRECUT 4-1/4 X 6-3/4	1.000 EA
MN416A01	TAG-INSTAL-MAINT no wire (1200/bx) 5/18	1.000 EA

AC Induction Motor Performance Data

Record # 34220 - Typical performance - not guaranteed values

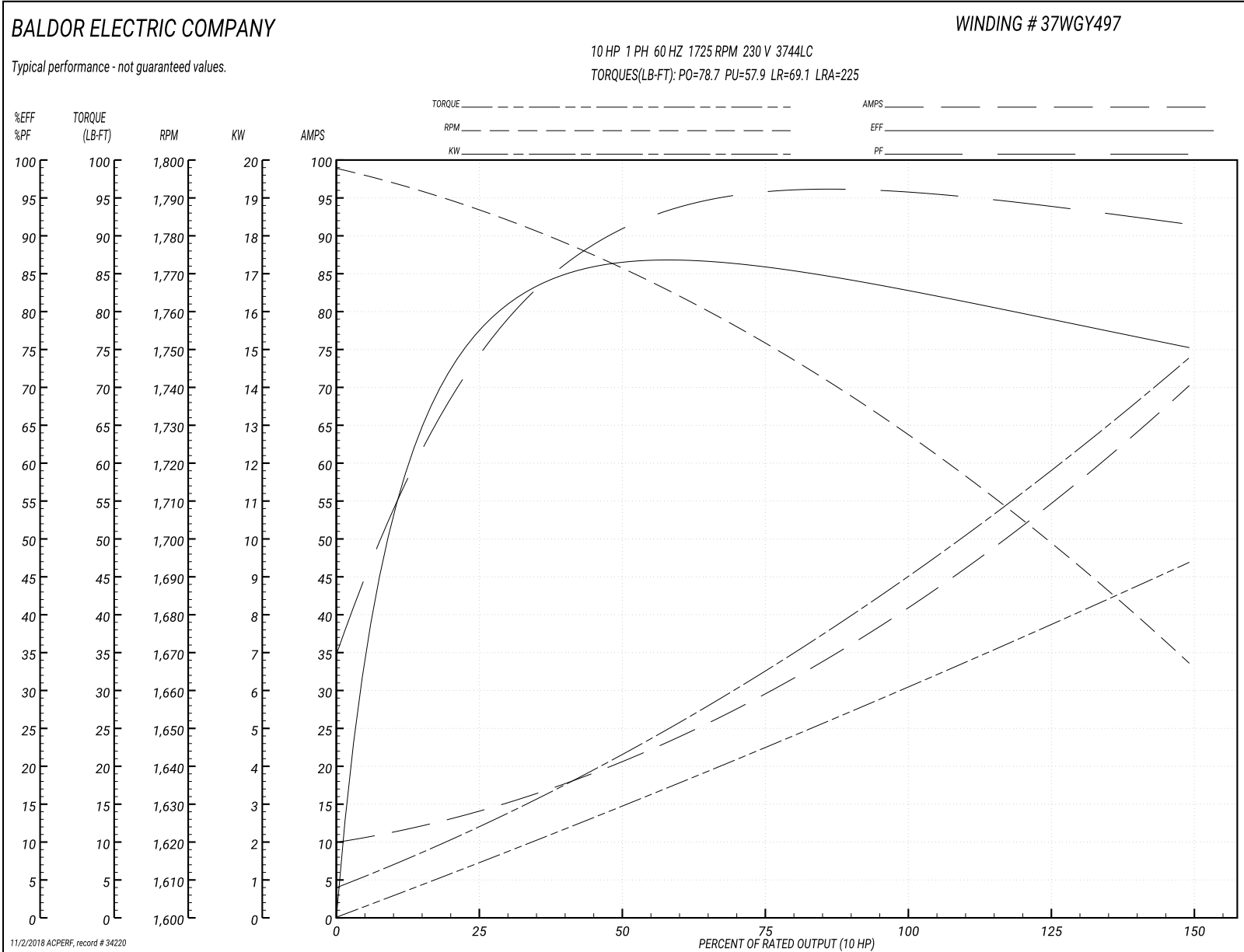
Winding: 37WGY497-R001	Type: 3744LC	Enclosure: ODTF
-------------------------------	---------------------	------------------------

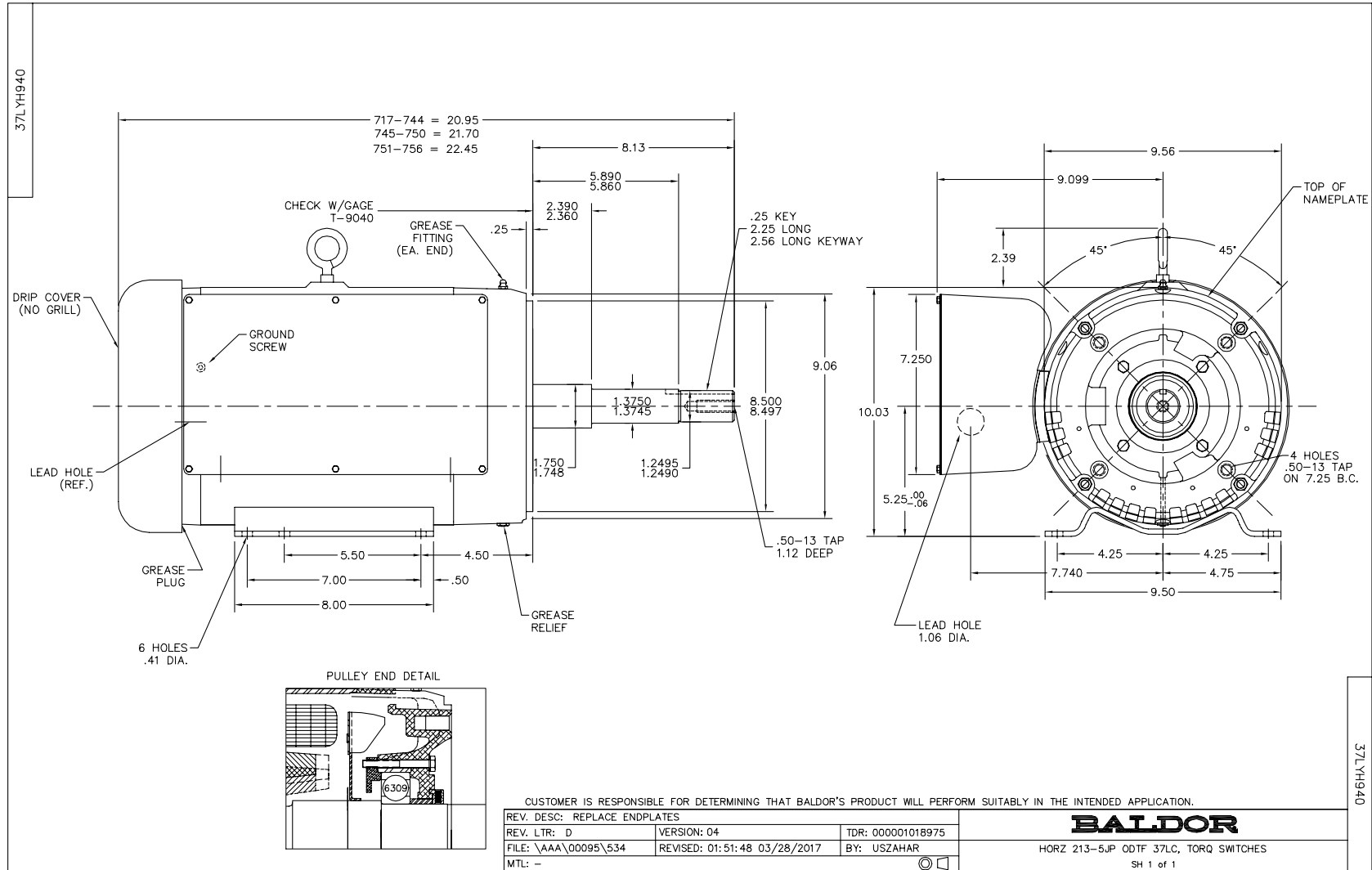
Nameplate Data				230 V, 60 Hz: Single Voltage Motor	
Rated Output (HP)	10			Full Load Torque	30.3 LB-FT
Volts	230			Start Configuration	direct on line
Full Load Amps	41			Breakdown Torque	78.7 LB-FT
R.P.M.	1725			Pull-up Torque	57.9 LB-FT
Hz	60	Phase	1	Locked-rotor Torque	69.1 LB-FT
NEMA Design Code	L	KVA Code	F	Starting Current	225 A
Service Factor (S.F.)	1.15			No-load Current	10.2 A
NEMA Nom. Eff.	84	Power Factor	94	Line-line Res. @ 25°C	0.18838 Ω A Ph 0.70995 Ω B Ph
Rating - Duty	40C AMB-CONT			Temp. Rise @ Rated Load	87°C
S.F. Amps				Temp. Rise @ S.F. Load	119°C

Load Characteristics 230 V, 60 Hz, 10 HP

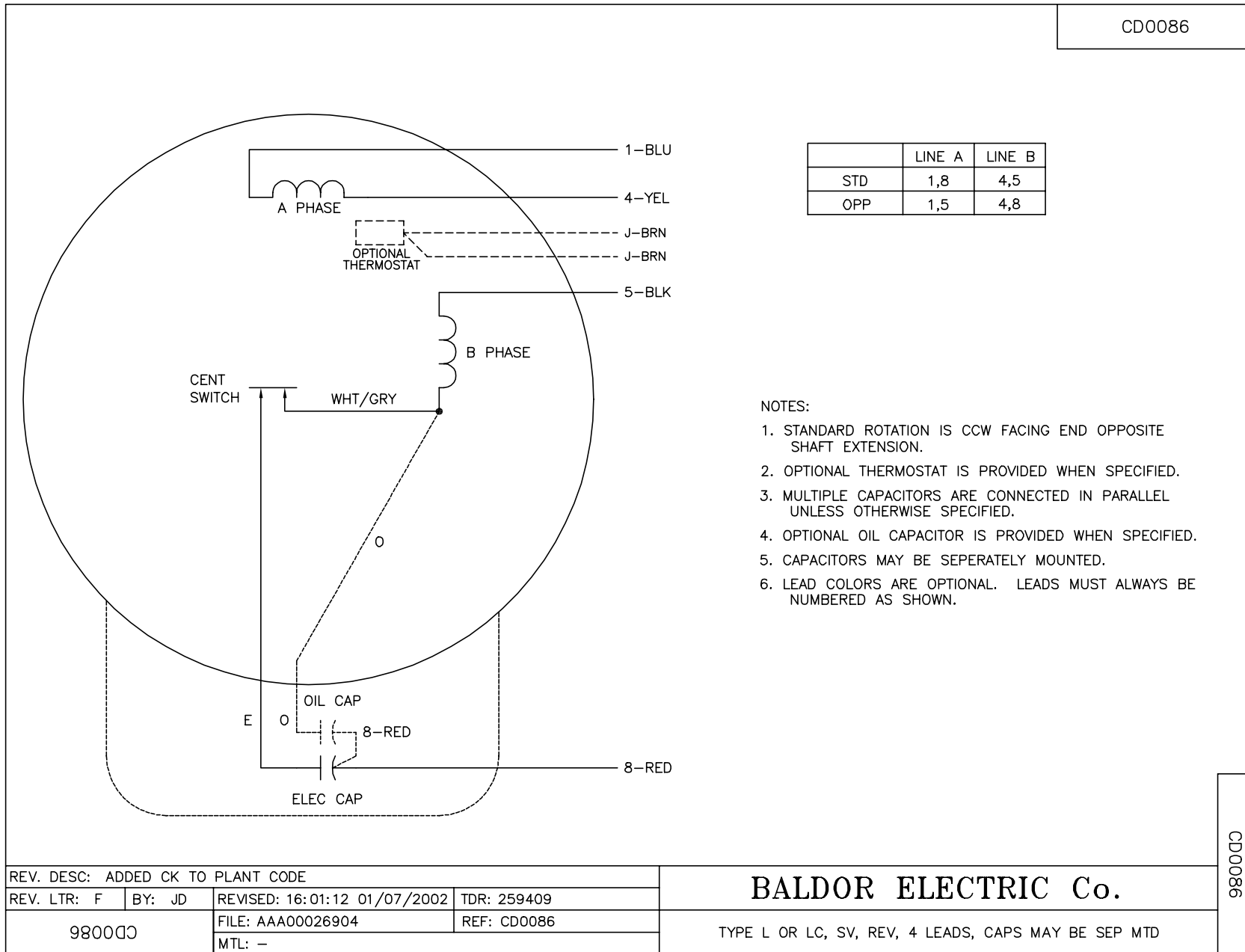
% of Rated Load	25	50	75	100	125	150	S.F.
Power Factor	80	92	95	95	94	92	94
Efficiency	75.1	84.6	85.8	83.9	79.7	74.8	81.4
Speed	1785.6	1770.4	1753.1	1728.9	1700	1666.3	1712
Line amperes	13.5	20.6	29.7	40.8	53.9	70.5	48.7

Performance Graph at 230V, 60Hz, 10.0HP Typical performance - Not guaranteed values





CD0086



	LINE A	LINE B
STD	1,8	4,5
OPP	1,5	4,8

NOTES:

1. STANDARD ROTATION IS CCW FACING END OPPOSITE SHAFT EXTENSION.
2. OPTIONAL THERMOSTAT IS PROVIDED WHEN SPECIFIED.
3. MULTIPLE CAPACITORS ARE CONNECTED IN PARALLEL UNLESS OTHERWISE SPECIFIED.
4. OPTIONAL OIL CAPACITOR IS PROVIDED WHEN SPECIFIED.
5. CAPACITORS MAY BE SEPERATELY MOUNTED.
6. LEAD COLORS ARE OPTIONAL. LEADS MUST ALWAYS BE NUMBERED AS SHOWN.

CD0086

REV. DESC: ADDED CK TO PLANT CODE			
REV. LTR: F	BY: JD	REVISED: 16:01:12 01/07/2002	TDR: 259409
98000D		FILE: AAA00026904	REF: CD0086
		MTL: -	

BALDOR ELECTRIC Co.

TYPE L OR LC, SV, REV, 4 LEADS, CAPS MAY BE SEP MTD