

**BALDOR® • RELIANCE** 

**Product Information Packet**

**JWDM3463**

**.75HP,3450RPM,3PH,60HZ,56J,3514M,TEFC,F1**

Part Detail							
Revision:	K	Status:	PRD/A	Change #:		Proprietary:	No
Type:	AC	Elec. Spec:	35WG0081	CD Diagram:	CD0005	Mfg Plant:	
Mech. Spec:	35E2235	Layout:	35LYE2235	Poles:	02	Created Date:	10-15-2013
Base:	N	Eff. Date:	10-05-2018	Leads:	9#18		

Specs			
Catalog Number:	JWDM3463	Heater Indicator:	No Heater
Enclosure:	TEFC	Insulation Class:	F
Frame:	56J	Inverter Code:	Inverter Ready
Frame Material:	Steel	KVA Code:	L
Output @ Frequency:	.750 HP @ 60 HZ	Lifting Lugs:	No Lifting Lugs
Synchronous Speed @ Frequency:	3600 RPM @ 60 HZ	Locked Bearing Indicator:	Locked Bearing
Voltage @ Frequency:	208.0 V @ 60 HZ	Motor Lead Quantity/Wire Size:	9 @ 18 AWG
	460.0 V @ 60 HZ	Motor Lead Exit:	Ko Box
	230.0 V @ 60 HZ	Motor Lead Termination:	Flying Leads
XP Class and Group:	None	Motor Type:	3514M
XP Division:	Not Applicable	Mounting Arrangement:	F1
Agency Approvals:	CSA	Power Factor:	74
	UR	Product Family:	Wash Down
Auxillary Box:	No Auxillary Box	Pulley End Bearing Type:	Sealed Bearing
Auxillary Box Lead Termination:	None	Pulley Face Code:	C-Face
Base Indicator:	No Mounting	Pulley Shaft Indicator:	Ext Thread
Bearing Grease Type:	Polyrex EM (-20F +300F)	Rodent Screen:	None
Blower:	None	RoHS Status:	ROHS COMPLIANT

<b>Current @ Voltage:</b>	3.800 A @ 208.0 V	<b>Shaft Extension Location:</b>	Pulley End
	3.000 A @ 208.0 V	<b>Shaft Ground Indicator:</b>	No Shaft Grounding
	2.800 A @ 230.0 V	<b>Shaft Rotation:</b>	Reversible
	1.400 A @ 460.0 V	<b>Shaft Slinger Indicator:</b>	Shaft Slinger
<b>Design Code:</b>	B	<b>Speed Code:</b>	Single Speed
<b>Drip Cover:</b>	No Drip Cover	<b>Motor Standards:</b>	NEMA
<b>Duty Rating:</b>	CONT	<b>Starting Method:</b>	Direct on line
<b>Electrically Isolated Bearing:</b>	Not Electrically Isolated	<b>Thermal Device - Bearing:</b>	NONE (OLD)
<b>Feedback Device:</b>	NO FEEDBACK	<b>Thermal Device - Winding:</b>	None
<b>Front Face Code:</b>	Standard	<b>Vibration Sensor Indicator:</b>	No Vibration Sensor
<b>Front Shaft Indicator:</b>	None	<b>Winding Thermal 1:</b>	None
		<b>Winding Thermal 2:</b>	None

Nameplate NP1496L										
CAT.NO.	JWDM3463									
SPEC.	35E2235-0081G1									
HP	.75									
VOLTS	208-230/460									
AMP	3-2.8/1.4									
RPM	3450									
FRAME	56J				HZ	60			PH	3
SER.F.	1.50		CODE	L	DES	B		CLASS	F	
NEMA-NOM-EFF	68		PF	74						
RATING	40C AMB-CONT									
CC								USABLE AT 208V	3.8	
DE	6205				ODE	6203				
ENCL	TEFC		SN							
	SFA 3.8-3.6/1.8									

Parts List		
Part Number	Description	Quantity
SA271229	SA 35E2235-0081G1	1.000 EA
RA257859	RA 35E2235-0081G1	1.000 EA
NS2512A01	INSULATOR, CONDUIT BOX X	1.000 EA
35CB3008A01W	35 CB .50 NPT @ 6, MACH WHITE EPOXY	1.000 EA
35GS1022A03	GASKET BOX .125 THK WHITE NEOPRENE	1.000 EA
51XB1016A07	10-16 X 7/16 HXWSSLD SERTYB	2.000 EA
11XW1032G06	10-32 X .38, TAPTITE II, HEX WSHR SLTD U	1.000 EA
35EP3122B00W	MASTER ODE,203 BRG,.683SH,.125NPT DRNS,F	1.000 EA
HW4072A01	BLACK DRAIN PLUG FOR .125 NPT	3.000 EA
HW5100A03	WAVY WASHER (W1543-017)	1.000 EA
HW4600B39SP	V-RING SLINGER 0.550 X 0.790 X .18 VITON	1.000 EA
12XN1032S20	10-32 X 1-1/4 HEX M.S. , STAINLESS STEEL	2.000 EA
35EP3307E00W	MASTER DE,205 BRG,1.623SH,.125NPT DRNS,C	1.000 EA
HW4072A01	BLACK DRAIN PLUG FOR .125 NPT	3.000 EA
HW4600B49	SEAL 0.938 X 1.624 X 0.250 SINGLE LIP DB	1.000 EA
HW4600B46	V-RING SLINGER 0.875 X 1.420 X .24 VITON	1.000 EA
35FH4005A55	IEC FH NO GR SR,3 MTG HOLE NO DIMPLES,	1.000 EA
11XW1032S06	10-32 X .38, TAPTITE II, HEX WSHR SLTD U	3.000 EA
WD4100A10	465 NIAGARA PLUG (SO ELEC),FOR 1.093 DIA	1.000 EA
35CB4522	35 LIPPED CB LID PRIMED	1.000 EA
35GS1030A02	35 GS FOR CB LID - WHITE NEOPRENE	1.000 EA
59XW0832S07	TAPTITE II,HEX WSHR UNSLTD SER,410 S.S.,	4.000 EA
LB1164	LABEL,WARNING AND DRAIN	1.000 EA
85XU0407S04	4X1/4 U DRIVE PIN STAINLESS	2.000 EA

<b>Parts List (continued)</b>		
<b>Part Number</b>	<b>Description</b>	<b>Quantity</b>
HA5027A02	HA4054 T-DRAIN X2 BAGGED WITH LABEL	1.000 EA
RM1010A12	.437 I.D. 1" VINYL CAP (SHORT) MOCAP	1.000 EA
MJ1000A02	GREASE, POLYREX EM EXXON (USe 4824-15A)	0.050 LB
34FN3002B01	EXTERNAL FAN, PLASTIC, .637/.639 HUB W/	1.000 EA
MJ5001A27	32220KN GRAY SEALER *MIN BUY 4 QTS=1GAL	0.001 QT
MG1025W01	WILKOFAS, 781.01, SIGNAL WHITE #9003	0.017 GA
MG1500Y02	WILKOPON PRIMER YELLOW	0.014 GA
HA3100S08	THRUBOLT 7.375LG SS	4.000 EA
LC0005	CONN.DIA.,TY M,9-LD,DUAL VOLT,REVERSING	1.000 EA
MN416A01	TAG-INSTAL-MAINT no wire (1200/bx) 5/18	1.000 EA
NP1496L	SS WD UL CSA CC	1.000 EA
36PA1000	PKG GRP, PRINT PK1016A06	1.000 EA
PK3083T	STYROFOAM PACKING CRADLE	1.000 EA
PK3088	MICROFOAM, 8"X8 PERF. SHEETS 5,400/RL	1.000 EA
FE-0000001	ZRTG FE ASSEMBLY	1.000 EA
PE-0000002	ZRTG PE ASSEMBLY	1.000 EA

**AC Induction Motor Performance Data**

Record # 43679 - Typical performance - not guaranteed values

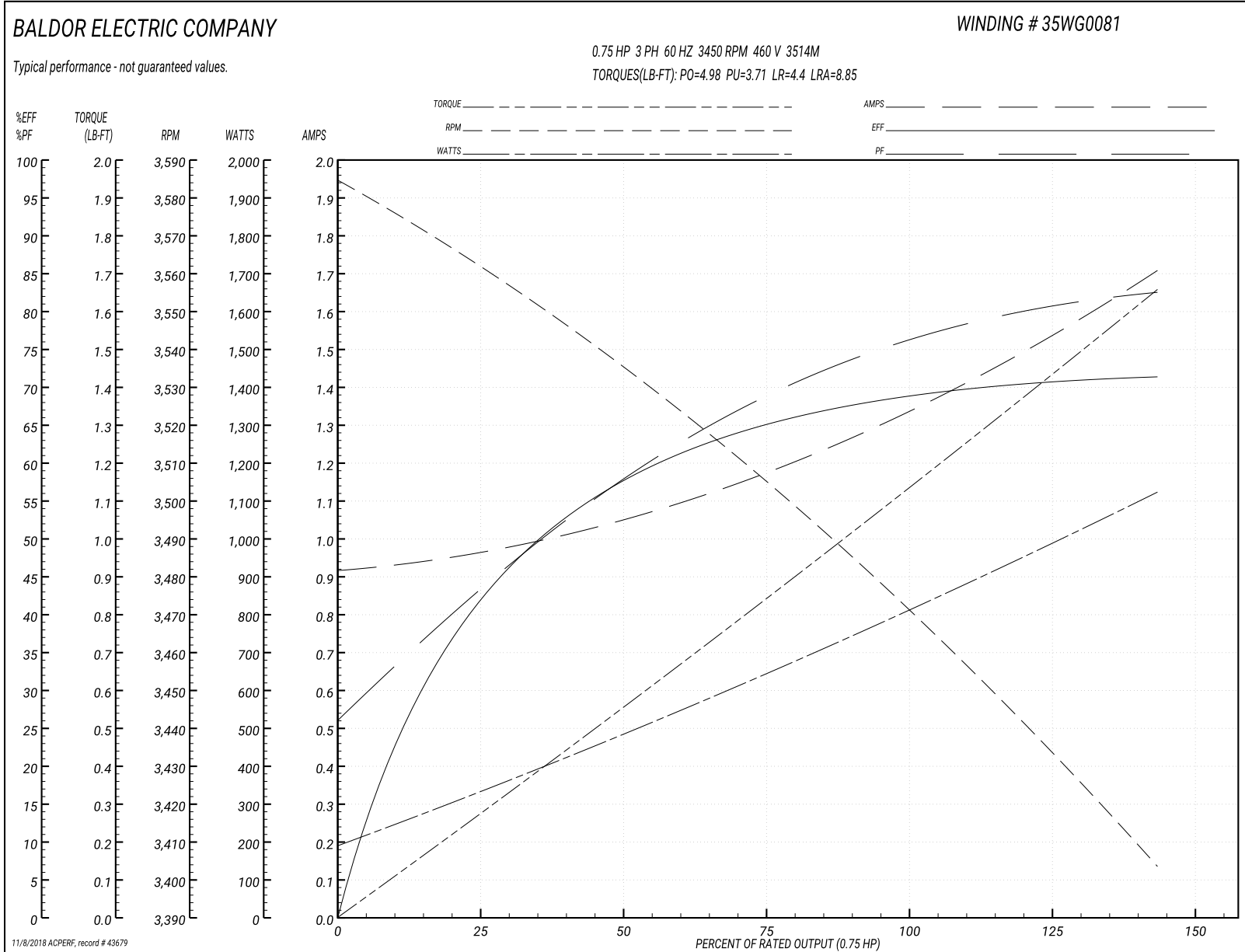
<b>Winding:</b> 35WG0081-R059	<b>Type:</b> 3514M	<b>Enclosure:</b> TEFC
-------------------------------	--------------------	------------------------

Nameplate Data				460 V, 60 Hz: High Voltage Connection	
Rated Output (HP)	.75			Full Load Torque	1.11 LB-FT
Volts	208-230/460			Start Configuration	direct on line
Full Load Amps	3-2.8/1.4			Breakdown Torque	4.98 LB-FT
R.P.M.	3450			Pull-up Torque	3.71 LB-FT
Hz	60	Phase	3	Locked-rotor Torque	4.4 LB-FT
NEMA Design Code	B	KVA Code	L	Starting Current	8.85 A
Service Factor (S.F.)	1.5			No-load Current	0.908 A
NEMA Nom. Eff.	68	Power Factor	74	Line-line Res. @ 25°C	18.6 Ω
Rating - Duty	40C AMB-CONT			Temp. Rise @ Rated Load	43°C
S.F. Amps	3.8-3.6/1.8			Temp. Rise @ S.F. Load	57°C
				Locked-rotor Power Factor	67.5
				Rotor inertia	0.0387 LB-FT <sup>2</sup>

Load Characteristics 460 V, 60 Hz, 0.75 HP

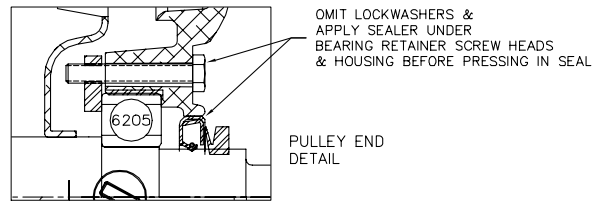
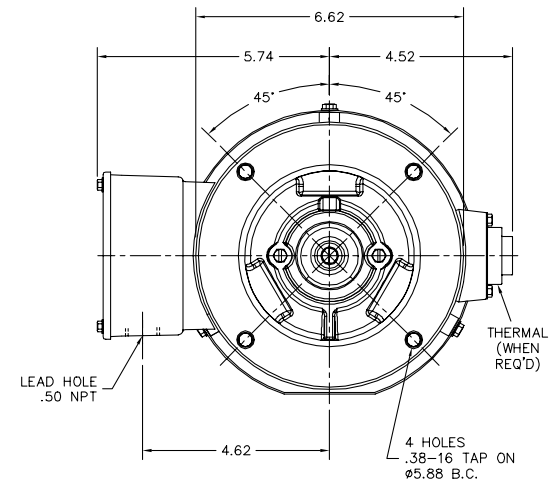
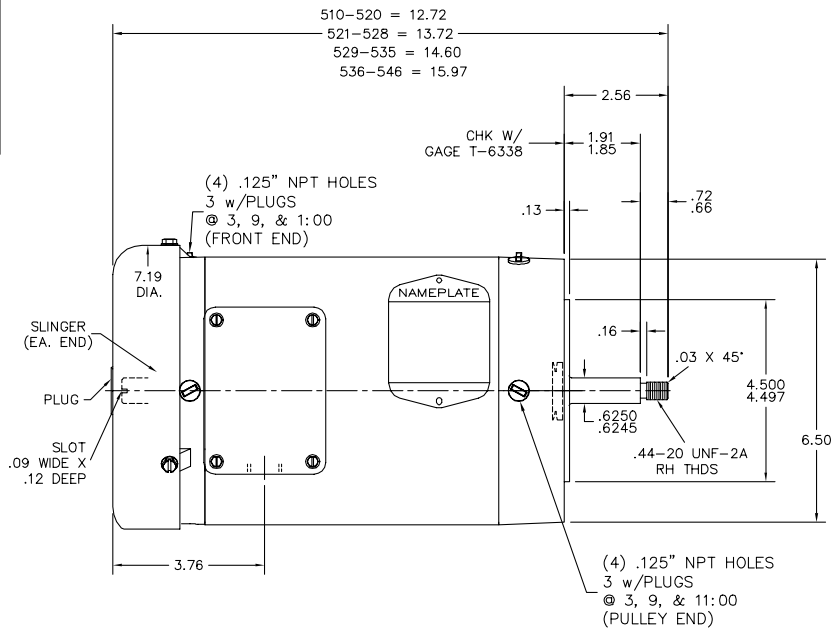
% of Rated Load	25	50	75	100	125	150	S.F.
Power Factor	43	59	68	76	80	83	81
Efficiency	41.9	57.7	65.1	68.6	70.7	71.2	70.4
Speed	3560	3534	3506	3475	3441	3402	3398
Line amperes	0.984	1.04	1.18	1.31	1.51	1.71	1.77

Performance Graph at 460V, 60Hz, 0.75HP Typical performance - Not guaranteed values





35LYE2235



CUSTOMER IS RESPONSIBLE FOR DETERMINING THAT BALDOR'S PRODUCT WILL PERFORM SUITABLY IN THE INTENDED APPLICATION.

REV. DESC: UPDATE ENDPLATES AND NOTES		
REV. LTR: C	VERSION: 03	TDR: 000001073391
FILE: \AAA\00204\182	REVISED: 11:08:21 06/05/2018	BY: FPJFEGO
MTL: -		

<b>BALDOR - RELIANCE</b> ®	
STD VERT 56J TEFC 35M WD (S/P9) W/ FULL LENGTH SS SHAFT	
SH 1 of 1	

35LYE2235

CD0005



LOW VOLTAGE  
(2Y)



LINE

HIGH VOLTAGE  
(1Y)



LINE

NOTES:

1. INTERCHANGE ANY TWO LINE LEADS TO REVERSE ROTATION.
2. OPTIONAL THERMOSTATS ARE PROVIDED WHEN SPECIFIED.
3. ACTUAL NUMBER OF INTERNAL PARALLEL CIRCUITS MAY BE A MULTIPLE OF THOSE SHOWN ABOVE.
4. LEAD COLORS ARE OPTIONAL. LEADS MUST ALWAYS BE NUMBERED AS SHOWN.

REV. DESC: REVISE TO SHOW OPTIONAL COLORS			
REV. LTR: E	BY: JLP	REVISED: 01/19/99 10:15	TDR: 0171435
900000		FILE: AAA00005140	MDL: -
		MTL: -	

**BALDOR ELECTRIC Co.**

3PH, DV, 9 LEADS

CD0005