

Product information presented here reflects conditions at time of publication. Consult factory regarding discrepancies or inconsistencies.

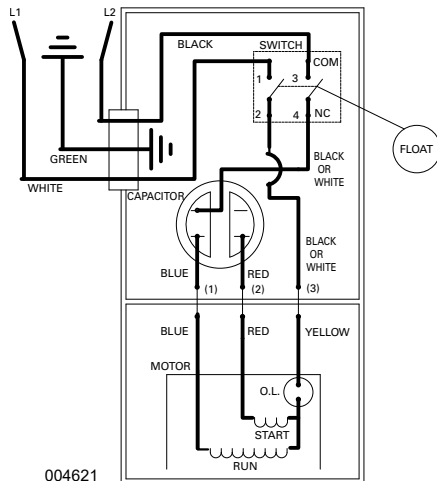
MAIL TO: P.O. BOX 16347 • Louisville, KY 40256-0347
SHIP TO: 3649 Cane Run Road • Louisville, KY 40211-1961
TEL: (502) 778-2731 • 1 (800) 928-PUMP • FAX: (502) 774-3624

Visit our website:
zoellerpumps.com

REPLACEMENT PARTS LIST FOR MODELS:

PERMANENT SPLIT CAPACITOR
MOTOR DESIGN
FOR SPLIT PHASE MOTOR DESIGN
(SEE PAGE 5)

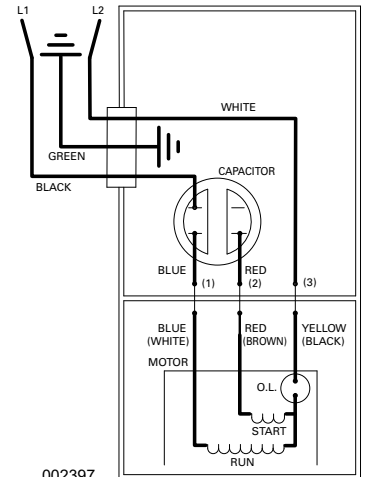
M267 AUTOMATIC 115V N267 NONAUTOMATIC 115V



004621
WIRING DIAGRAM FOR MODELS
"M267-G"
05/18 thru Current

TO ORDER REPLACEMENT PARTS
PLEASE FURNISH THE FOLLOWING INFORMATION:

- Model number
- Part number of pump
- Part number and description of part

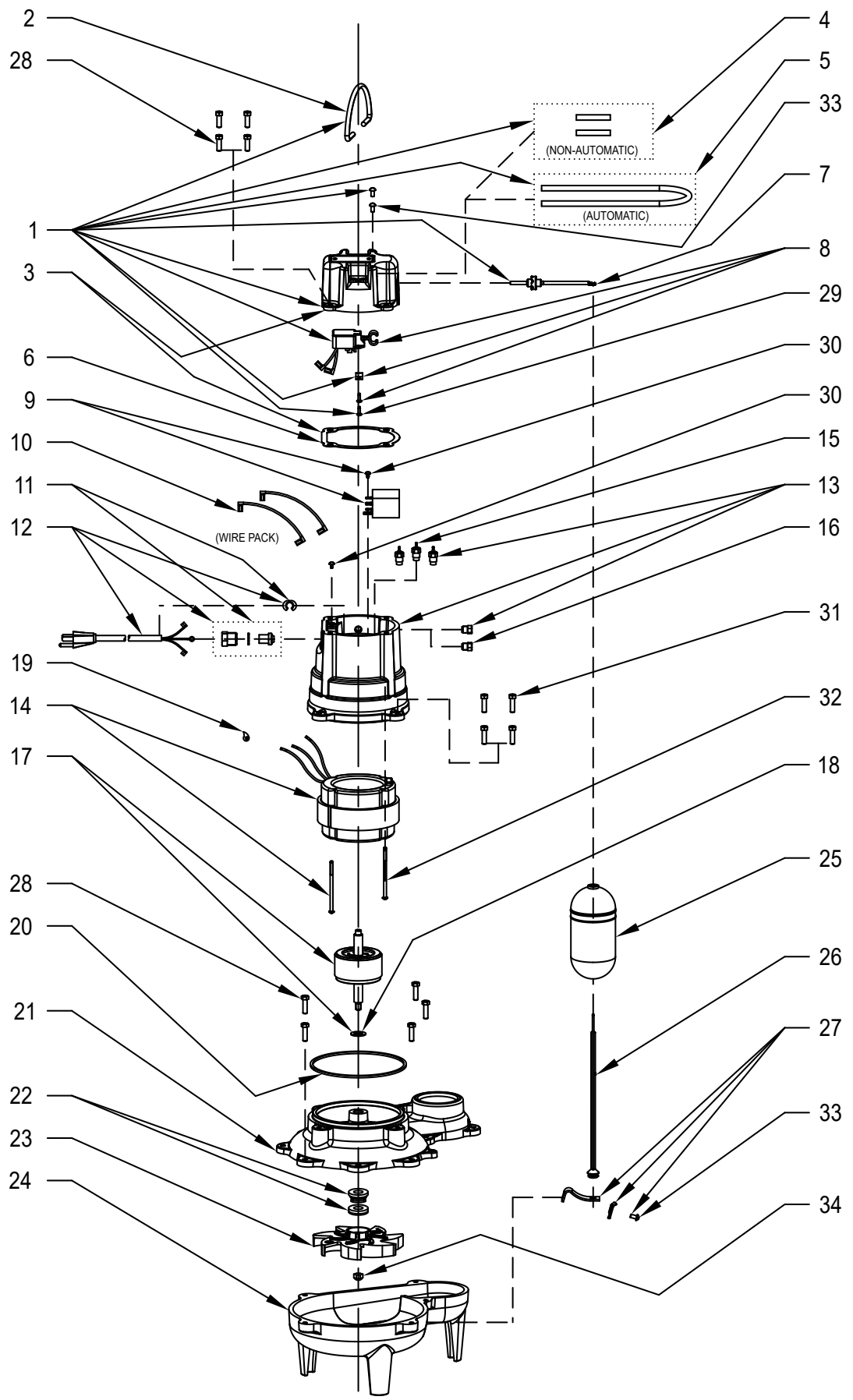


002397
WIRING DIAGRAM FOR MODELS
"N267-G"
05/18 thru Current

REF NO.	QTY	Kit	DESCRIPTION	NOTES	M267-G 05/18 thru CURRENT.	N267-G 05/18 thru CURRENT.
1	1		CASE ASSEMBLY - AUTOMATIC		004739	N/A
	1		COVER ASSEMBLY - NON-AUTOMATIC		N/A	267051
2	1	*	HANDLE		267032	267032
3	1		CASE MACH. & GASKET - AUTOMATIC		155781	N/A
	1		COVER MACH. & GASKET - NON-AUTOMATIC		N/A	267052
4	2	*	RETAINER - NON-AUTOMATIC		N/A	267053
5	1	*	GUARD - AUTOMATIC		267008	N/A
6	1	*	GASKET - CASE/COVER		267007	267007
7	1	*	ARM AND SEAL ASSEMBLY		004741	N/A
8	1		SWITCH ASSEMBLY		004740	N/A
9	1		CAPACITOR ASSEMBLY		155782	155782
10	1	*	WIRE PACKAGE		155783	155783
11	1	*	CORD SEAL AND STRAIN RELIEF ASSEMBLY	4	155784	155784
12	1		CORD ASSEMBLY - AUTOMATIC		010925	N/A
	1		CORD ASSEMBLY - NON-AUTO		N/A	155785
13	1		MOTOR HOUSING ASSEMBLY		155786	155786
14	1		STATOR WITH SCREWS		155787	155787
15	3	*	THRU WALL TERMINALS		003402	003402
16	2	*	TEST PLUGS		034090	034090
17	1		ROTOR ASSEMBLY		155788	155788
18	1	*	THRUST WASHER		002140	002140
19	1	*	DIELECTRIC OIL		267056	267056
20	1	*	MOTOR HOUSING SEAL		267006	267006
21	1		PUMP HOUSING - MACH.		003877	003877
22	1	*	SHAFT SEAL ASSEMBLY		267027	267027
23	1		IMPELLER - PLASTIC		150857	150857
	1		IMPELLER - CAST IRON		003884	003884
24	1		BASE		008646	008646
25	1		FLOAT		034019	N/A
26	1		FLOAT ROD		001526	N/A
27	1		FLOAT ROD GUIDE ASSEMBLY		004676	N/A
28	9	*	SCREW - CASE & BASE (1/4-20 X 3/4" LONG)		001916	001916
29	2	*	SCREW - SWITCH (#6-32 X 7/16" LONG)		004644	N/A
30	1	*	SCREW - GROUND & CAPACITOR (#6-32 X 1/4" LONG)		001877	001877
31	4	*	SCREW - MOTOR HOUSING (1/4-20 X 7/8" LONG)		012491	012491
32	2	*	SCREW - STATOR (#8-32 X 3 1/16" LONG)		154768	154768
33	3	*	SCREW - GUARD & RETAINERS/GUIDE (#10-24 X 3/8" LONG)		001883	001883
*	1		REBUILD KIT		155789	155789

Service part notes:

- 1) If an "X" follows model no., or date mfg. on brass ID tag, consult factory for ordering any parts.
- 2) See FM0160 Parts Price Sheet for listing of parts prices.
- 3) "NA" indicates, not applicable.
- 4) Strain relief clamp is not sold separately, must order cord seal assembly.



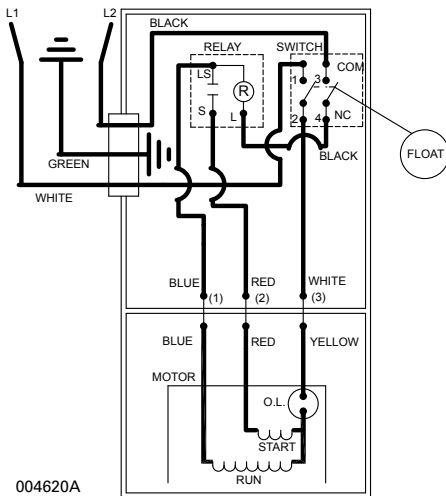
SK3198

REPLACEMENT PARTS LIST FOR MODELS:

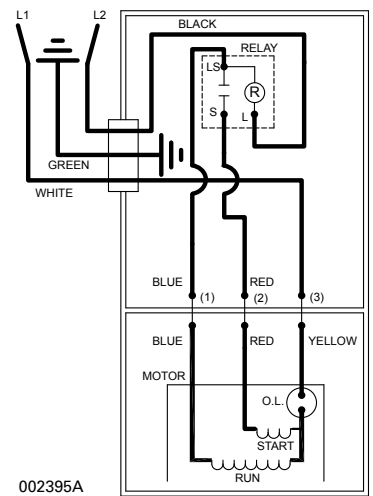
SPLIT PHASE MOTOR DESIGN

M267 AUTOMATIC 115V
D267 AUTOMATIC 230V
N267 NONAUTOMATIC 115V
E267 NONAUTOMATIC 230V
**WM267 AUTOMATIC w/wired
float switch 115V**

H267 AUTOMATIC 200V/1PH
I267 NONAUTOMATIC 200V/1PH
J267 NONAUTOMATIC 200V/3PH
F267 NONAUTOMATIC 230V/3PH
G267 NONAUTOMATIC 460V/3PH



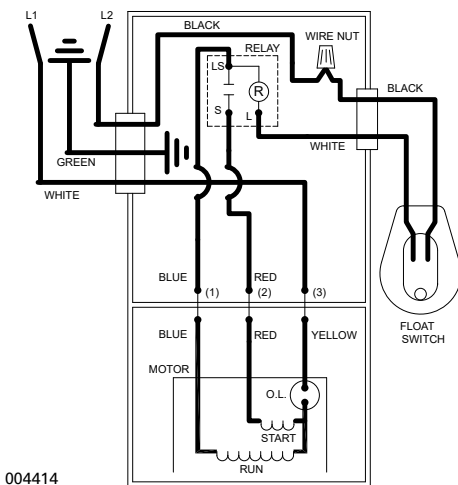
004620A
WIRING DIAGRAM FOR MODELS
“M267-F”, “D267-F”,
and “H267-F”
10/92 thru 04/18



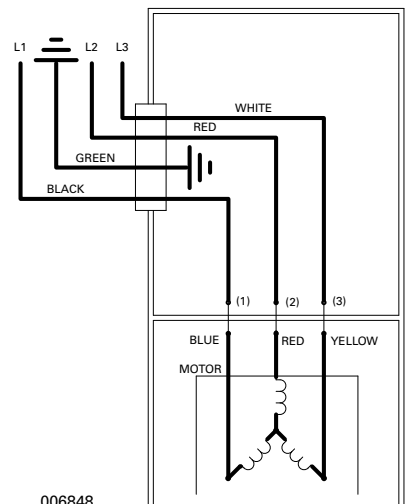
002395A
WIRING DIAGRAM FOR MODELS
“M267-F”, “E267-F”,
and “I267-F”
10/92 thru 04/18

TO ORDER REPLACEMENT PARTS
PLEASE FURNISH THE FOLLOWING INFORMATION:

- Model number
- Part number of pump
- Part number and description of part



004414
WIRING DIAGRAM FOR MODELS
“WM267-C”, “WM267-D”
10/92 thru 02/08



006848
WIRING DIAGRAM FOR MODELS
“J267-F”, “F267-F” and “G267-F”
10/92 thru Current

REPLACEMENT PARTS LIST FOR MODELS "M267", "D267" & "H267"

See page 7 for illustration.

REF. NO.	DESCRIPTION	QTY	NOTES	MODELS:		
				M267-F	D267-F	H267-F
				10/92 thru 04/18	10/92 thru Current	10/92 thru Current
1	CASE & SWITCH ASM	1	3	004739	004739	004739
2	• HANDLE	1		267032	267032	267032
3	CASE MACH.	1	3	004610	004610	004610
4	• GASKET,CASE/COVER	1		267007	267007	267007
5	RELAY ASM.	1		002474	147135	001536
6	• WIRE PACKAGE (2 WIRES)	1		267014	267014	267014
7	HOUSING, MOTOR & STATOR (REGAL-BELOIT)	1	1,2	002475	002476	003871
	HOUSING, MOTOR & STATOR (EMERSON)			014797	008642	N/A
8	CORD TERMINAL & SEAL ASM.	1	4	094071	094072	006930
9	• SEAL, CORD-ASM. & STRAIN RELIEF	1	4	094032	094032	011626
10	• GUARD	1		267008	267008	267008
11	• ARM & SEAL ASM.	1	3	004741	004741	004741
12	SWITCH ASM.	1	3	004740	004740	004740
13	FLOAT	1		034019	034019	034019
14	ROD, FLOAT	1		001526	001526	001526
15	ROTOR ASM. (REGAL-BELOIT)	1	2	267005	267005	267005
	ROTOR ASM. (EMERSON)			004021	004021	N/A
16	• SEAL, MOTOR HOUSING	1		267006	267006	267006
17	WASHER, THRUST	1		002140	002140	002140
18	HOUSING,PUMP-MACH.	1		003877	003877	003877
19	• SEAL,SHAFT-ASM.	1		267027	267027	267027
20	IMPELLER-PLASTIC	1		150857	150857	150857
	IMPELLER-CAST IRON			003884	003884	003884
21	BASE-MACH.	1		008646	008646	008646
22	GUIDE,FLOAT ROD - ASM.	1		004676	004676	004676
23	• OIL,DIELECTRIC	1		267056	267056	267056
24	• SEAL,THRU WALL TERMINAL	3		003402	003402	003402
25	• PLUG,TEST-WHITE	2		034090	034090	034090
26	• SCREW 1/4-20 X 3/4 LONG - HH MACH - SS	9		001916	001916	001916
27	• SCREW #10-24 X 3/8 LONG - ROUND HEAD - SS	3		001883	001883	001883
28	• SCREW #6-32 X 7/16 LONG	2		004644	004644	004644
29	• SCREW #6-32 X 1/4 LONG	3		001877	001877	001877
30	• SCREW 1/4-20 X 7/8 LONG - HH MACH - SS	4		012491	012491	012491
□	REBUILD KIT	1		004743	004743	004743

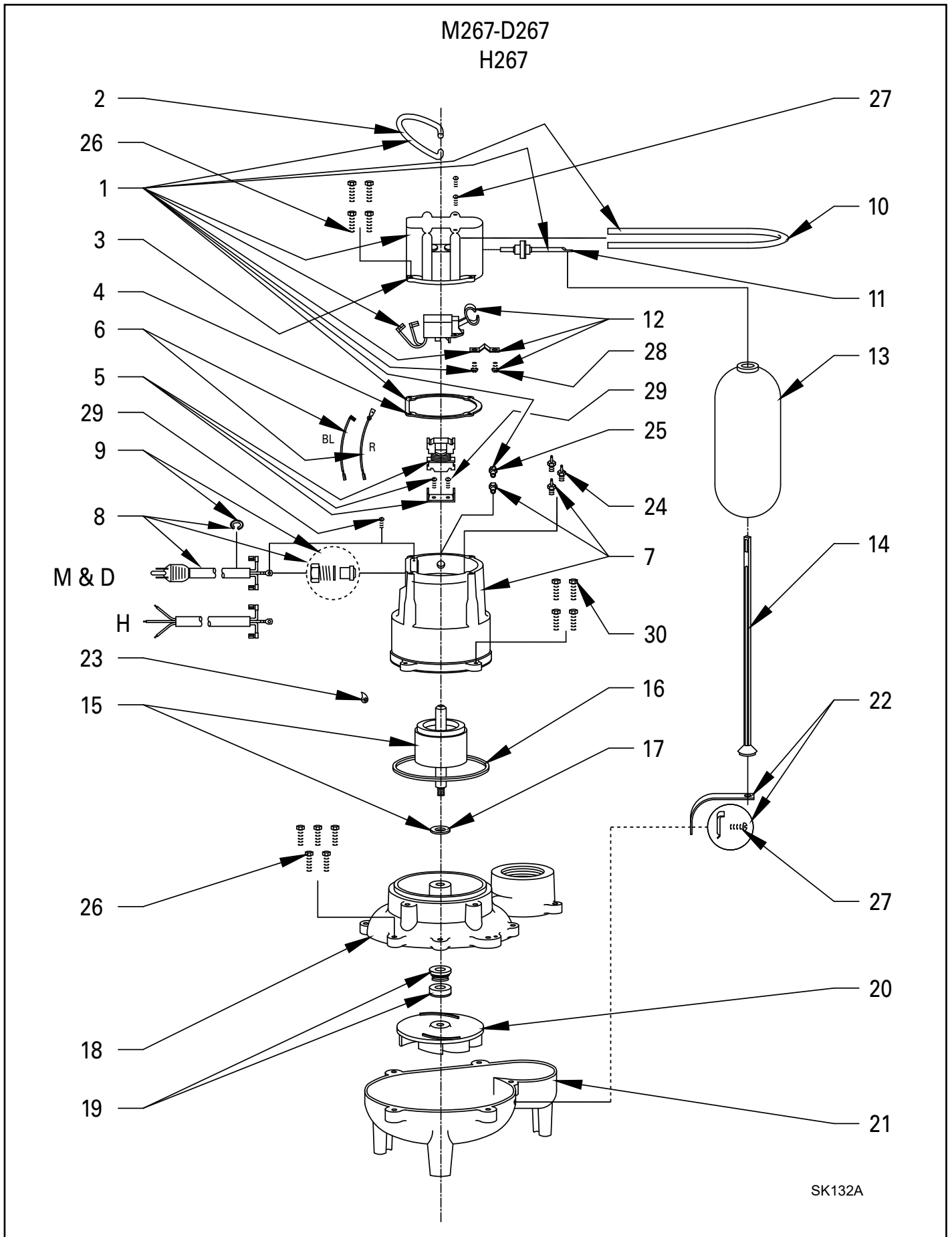
• Items included in Rebuild Kit.

□ Not shown in illustration.

NOTES:

- 1) Motor housing, bearing, stator & terminal are preassembled at the factory and must be replaced as a unit. Stator is permanently attached to the motor housing. White test plug, seal and thru wall terminals are replaceable.
- 2) When ordering motor housing, bearing, stator and terminal or rotor specify either GE or Emerson motor. GE motor can be identified by (4) half oval slots spaced at 90° around the outside diameter of the stator. Emerson motor can be identified by (2) half oval slots spaced at 180° around the outside diameter of the stator.
- 3) When ordering these parts, customer must identify if switch is a General Electric switch.
- 4) If an "X" follows model no., or date mfg. on brass ID tag, consult factory for ordering any parts.
- 5) See FM0160 parts price sheet for listing of parts prices.
- 6) "NA" indicates, not applicable.
- 7) Clamp, strain relief is not sold separately, must order seal, cord asm (Item 9).

REPLACEMENT PARTS ILLUSTRATION FOR MODELS "M267", "D267" & "H267"



**REPLACEMENT PARTS LIST FOR MODELS
"N267", "E267", "I267", "J267", "F267" & "G267"**

See page 9 for illustration.

REF. NO.	DESCRIPTION	QTY	NOTES	MODELS:					
				N267-F	E267-F	I267-F	J267-E	F267-E	G267-F
				10/92 thru 04/18	10/92 thru Current	10/92 thru Current	10/92 thru Current	10/92 thru Current	10/92 thru Current
1	COVER & HANDLE ASM	1		267051	267051	267051	267051	267051	267051
2	• HANDLE	1		267032	267032	267032	267032	267032	267032
3	COVER & GASKET/NON-AUTO	1		267052	267052	267052	267052	267052	267052
4	RETAINER,HANDLE/NON-AUTO	1		267053	267053	267053	267053	267053	267053
5	• GASKET,CASE/COVER	1		267007	267007	267007	267007	267007	267007
6	RELAY ASM.	1		002474	147135	001536	N/A	N/A	N/A
7	• WIRE PACKAGE (2 WIRES)	1		267014	267014	267014	N/A	N/A	N/A
8	HOUSING, MOTOR & STATOR (REGAL-BELOIT)	1	1,2	002475	002476	003781	009511	004966	009510
	HOUSING, MOTOR & STATOR (EMERSON)			014797	008642	N/A	N/A	N/A	N/A
9	CORD TERM&SEAL ASM	1	3	153878	153879	007071	003761	003761	003761
10	• SEAL, CORD-ASM. & STRAIN RELIEF	1	3	094032	094032	094032	094032	094032	094032
11	ROTOR ASM. (REGAL-BELOIT)	1	2	267005	267005	267005	009506	009506	009506
	ROTOR ASM. (EMERSON)			004021	004021	N/A	N/A	N/A	N/A
12	• SEAL, MOTOR HOUSING	1		267006	267006	267006	267006	267006	267006
13	• WASHER, THRUST	1		002140	002140	002140	002140	002140	002140
14	HOUSING,PUMP-MACH.	1		003877	003877	003877	003877	003877	003877
15	• OIL,DIELECTRIC	1		267056	267056	267056	267056	267056	267056
16	• SEAL,SHAFT-ASM.	1		267027	267027	267027	267027	267027	267027
17	IMPELLER-PLASTIC	1		150857	150857	150857	N/A	N/A	N/A
	IMPELLER-CAST IRON		003884	003884	003884	009884	009884	009884	
18	BASE-MACH.	1		008646	008646	008646	008646	008646	008646
19	• SEAL,THRU WALL TERMINAL	3		003402	003402	003402	003402	003402	003402
20	• PLUG,TEST-WHITE	2		034090	034090	034090	034090	034090	034090
21	NUT,5/16-24UNF SS ACORN/LOW CROWN	1		N/A	N/A	N/A	004348	004348	004348
22	• SCREW 1/4-20 X 3/4 LONG - HH MACH - SS	9		001916	001916	001916	001916	001916	001916
23	• SCREW #10-24 X 3/8 LONG - ROUND HEAD - SS	3		001883	001883	001883	001883	001883	001883
24	• SCREW #6-32 X 1/4 LONG	3		001877	001877	001877	001877	001877	001877
25	• SCREW 1/4-20 X 7/8 LONG - HH MACH - SS	4		012491	012491	012491	012491	012491	012491
□	REBUILD KIT	1		004743	004743	004743	004743	004743	004743

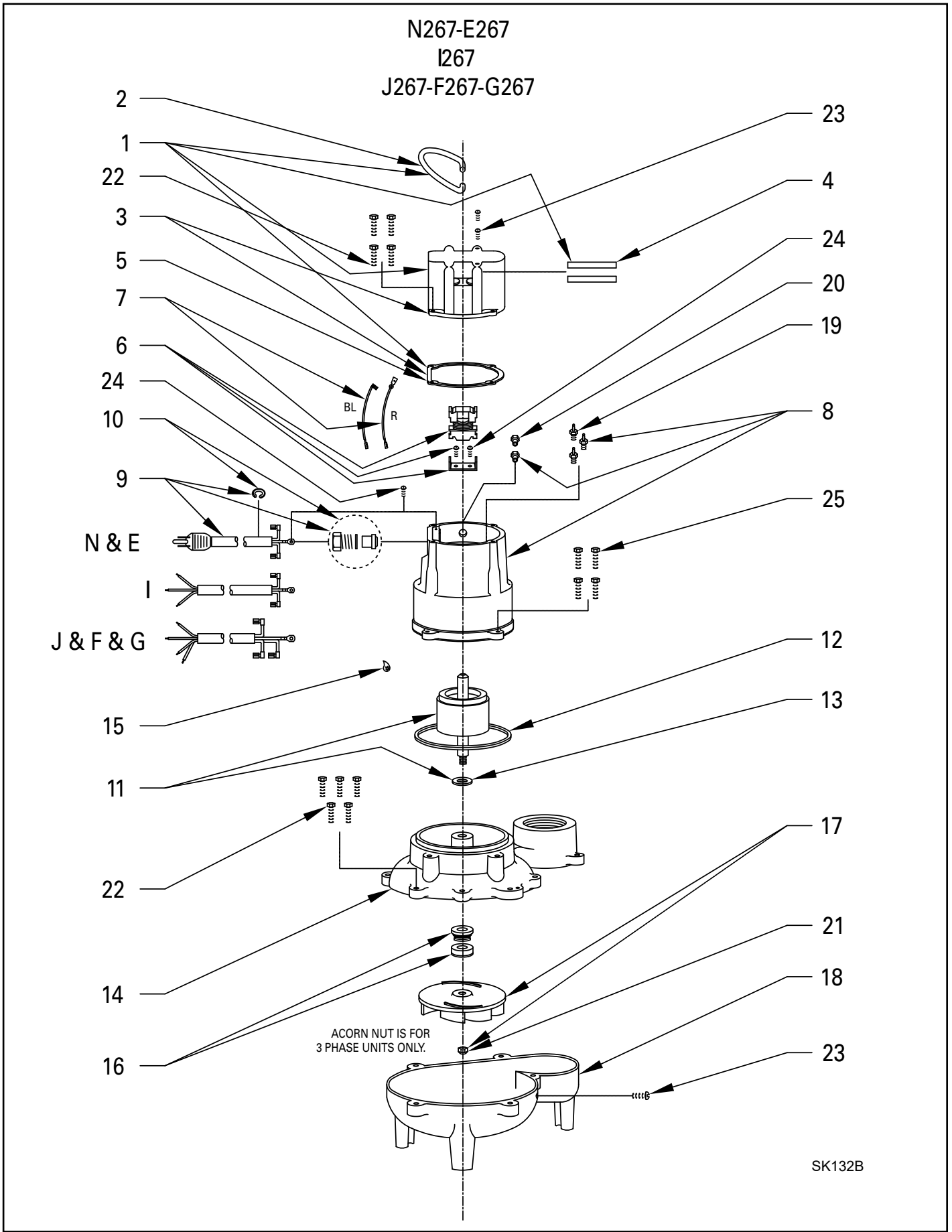
• Items included in Rebuild Kit.

□ Not shown in illustration.

NOTES:

- 1) Motor housing, bearing, stator & terminal are preassembled at the factory and must be replaced as a unit. Stator is permanently attached to the motor housing. White test plug, seal and thru wall terminals are replaceable.
- 2) When ordering motor housing, bearing, stator and terminal or rotor specify either GE or Emerson motor. GE motor can be identified by (4) half oval slots spaced at 90° around the outside diameter of the stator. Emerson motor can be identified by (2) half oval slots spaced at 180° around the outside diameter of the stator.
- 3) If an "X" follows model no., or date mfg. on brass ID tag, consult factory for ordering any parts.
- 4) See FM0160 parts price sheet for listing of parts prices.
- 5) "NA" indicates, not applicable.
- 6) Clamp, strain relief is not sold separately, must order seal, cord asm (Item 10).

**REPLACEMENT PARTS ILLUSTRATION FOR MODELS "N267",
"E267", "I267", "J267", "F267" & "G267"**



SK132B

REPLACEMENT PARTS LIST FOR MODEL "WM267"

See page 11 for "WM267" illustration.

REF. NO.	DESCRIPTION	QTY	NOTES	MODELS:	
				WM267-C	WM267-D
				10/92 thru 9/94	10/94 thru Current
1	COVER & HANDLE ASM	1		267051	267051
2	• HANDLE	1		267032	267032
3	COVER & GASKET/NON-AUTO	1		267052	267052
4	RETAINER,HANDLE/NON-AUTO	1		267053	267053
5	• GASKET,CASE/COVER	1		267007	267007
6	• RELAY ASM.	1		002474	002474
7	• WIRE PACKAGE (2 WIRES)	1		267014	267014
8	HOUSING, MOTOR & STATOR (REGAL-BELOIT)	1	1,2	004672	004672
	HOUSING, MOTOR & STATOR (EMERSON)			015451	015451
9	CORD TERMINAL & SEAL ASM.	1	3	006090	006090
10	• SEAL, CORD-ASM. & STRAIN RELIEF	1	3	094032	094032
11	ROTOR ASM. (REGAL-BELOIT)	1	2	267005	267005
	ROTOR ASM. (EMERSON)			004021	004021
12	• SEAL, MOTOR HOUSING	1		267006	267006
13	• WASHER, THRUST	1		002140	002140
14	HOUSING,PUMP-MACH.	1		004404	003877
15	• OIL,DIELECTRIC	1		267056	267056
16	• SEAL,SHAFT-ASM.	1		267027	267027
17	IMPELLER-PLASTIC	1		N/A	150857
	IMPELLER-CAST IRON		003884	003884	
18	BASE-MACH.	1		008646	008646
19	• SEAL,THRU WALL TERMINAL	3		003402	003402
20	• PLUG,TEST-WHITE	2		034090	034090
21	SWITCH,VERT FLOAT-ASM "WM267" W/ FLOAT & BRKT	1		004485	009631
22	SEAL,CORD-ASM "WM267 PF & QJ"	1		004486	004486
23	CONNECTOR, WIRENUT	1		001776	001776
24	CLAMP,CABLE-NYLON	1		004413	N/A
25	• SCREW 1/4-20 X 3/4 LONG - HH MACH - SS	9		001916	001916
26	• SCREW #10-24 X 3/8 LONG - ROUND HEAD - SS	3		001883	001883
27	• SCREW #6-32 X 1/4 LONG	3		001877	001877
28	• SCREW 1/4-20 X 7/8 LONG - HH MACH - SS	4		012491	012491
29	SWITCH,VERT FLOAT-ASM "WM267" W/ FLOAT & BRKT	1		009630	009630
30	FLOAT ROD RETAINING PIN	1		N/A	009121
31	ROD, FLOAT	1		N/A	009118
32	FLOAT ROD STOP	2		N/A	009120
33	FLOAT	1		N/A	009119
34	BRACKET, SWITCH MTG.	1		N/A	009117
35	GROMMET, GUIDE	1		N/A	003052
36	SCREW,#8-32 X .625" PH R.H. TYPE F-410 S.S.	2		N/A	009111
37	CLAMP,#40HS WORM-SS	1		N/A	004304
*	REBUILD KIT	1		004743	004743

• Items included in Rebuild Kit.

□ Not shown in illustration.

NOTES:

- Motor housing, bearing, stator & terminal are preassembled at the factory and must be replaced as a unit. Stator is permanently attached to the motor housing. White test plug, seal and thru wall terminals are replaceable.
- When ordering motor housing, bearing, stator and terminal or rotor specify either GE or Emerson motor. GE motor can be identified by (4) half oval slots spaced at 90° around the outside diameter of the stator. Emerson motor can be identified by (2) half oval slots spaced at 180° around the outside diameter of the stator.
- If an "X" follows model no., or date mfg. on brass ID tag, consult factory for ordering any parts.
- See FM0160 parts price sheet for listing of parts prices.
- "NA" indicates, not applicable.
- Clamp, strain relief is not sold separately, must order Seal, cord asm (Item 10).

REPLACEMENT PARTS ILLUSTRATION FOR MODEL "WM267"

