

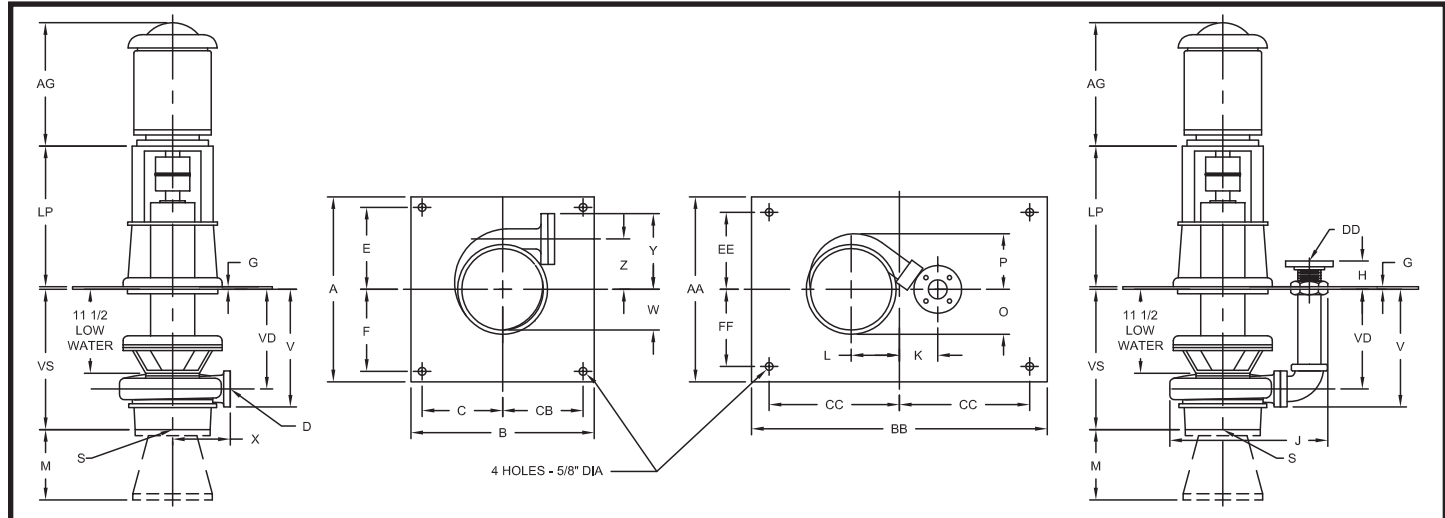
# All Sizes - Fig. 5462H

Iron Construction  
Bulletin 5460

# DEMING®

www.cranepumps.com

## Vertical Immersion and Process Pumps



Pump Size	1	1½	2½	1¼S	1½S	1½M	1½L	2S	2M	3S	3MD	4S	4MD	5MSD, 5MD	6MD, 6MLD
D (1)	1	1½	2½	1¼	1½	1½	1½	2	2	3	3	4	4	5	6
DD (1)	1	1½	2½	1¼	1½	2	2	2½	2½	3	3	4	4	5	6
H	3½	3½	4	3½	3½	3½	3½	4	4	5	5	5½	5½	5½	5½
J	14¾	15½	20½	16¾	16¾	20¾	22½	20¾	20¾	21	23¼	24¾	26¾	28¼	30¾
K	6¾	6¾	7¾	6¾	6¾	7¾	9¼	7¾	7¾	7¾	8½	8¾	9¼	9¼	10¼
L	3	3	4	3	3	4	3¾	*4	*4	5	5	5	6½	6½	6
DD1 (2)	1½	2	3	2	2½	2½	2½	3	3	4	4	5	5	6	8
H1 (2)	3½	3½	5	3½	4	4	4	4	4	4½	4½	5½	5½	5½	6
J1 (2)	15¼	16¾	20¾	16¾	17½	20¾	22½	20¾	21¾	21¾	23¾	24¾	27¼	28¾	32¾
K1 (2)	6¾	6¾	7¾	6¾	7	7¾	8¾	7¾	7¾	7¾	8½	8¾	9¼	9¼	10¾
A	15	15	18	18	18	18	21	18	18	21	21	24	24	24	26
B	15	15	18	18	18	18	18	18	18	18	18	18	18	18	21
C	6½	6½	8	8	8	8	8	8	8	8	8	8	8	8	9½
CB	6½	6½	8	8	8	8	8	8	8	8	8	8	8	8	9½
E	7	7	9	9	9	9	11	9	9	11	11	13	13	13	14½
F	6	6	7	7	7	7	8	7	7	8	8	9	9	9	9½
AA	15	15	18	18	18	18	20	18	18	18	21	21	24	24	28
BB	21	21	26	26	26	26	26	26	26	26	30	30	36	36	42
CC	9½	9½	12	12	12	12	12	12	12	12	14	14	17	17	20
EE	6½	6½	8	8	8	8	9	8	8	8	9½	9½	11	11	13
FF	6½	6½	8	8	8	8	9	8	8	8	9½	9½	11	11	13
G	¾	¾	½	½	½	½	½	½	½	½	½	½	¾	¾	¾
M	--	--	--	--	--	--	--	--	--	--	--	--	--	--	--
O	4	4½	5½	5¾	5¾	6¾	7½	5¾	6½	6	7	6¾	7½	7½	8
P	4¾	4¾	5¾	5½	5¾	7	8	6¾	7	6½	7½	8	8¾	9¼	11¼
S	1½	2	3	1½	2	2	2	2½	3	4	4	5	5	6	6
V	--	--	--	--	--	--	--	--	--	17¾	17¾	18¾	18¾	19¾	19¾
VD	13¾	13½	13¾	13¾	13½	13½	13½	13¾	13¾	14	14	14¾	14¾	14¾	14¾
VS	15¾	16	16¼	15½	15¾	15¾	15¾	15¾	16	17¾	17¾	18¾	18¾	19¾	19¾
W	4¾	4¾	5	5	5¾	6¾	7½	5¾	6¼	5½	6½	6¾	6¾	7½	8¾
X	4¼	5½	6¼	5½	5¾	6½	7½	6¼	7	7	8	7	9	9	9
Y	4½	5¼	6¼	6¾	6¼	7¼	8¼	6½	7½	9	10	10½	11	12½	13½
Z	3½	3¾	4¾	4¾	4¾	5¼	6¼	4¾	5¼	5¼	6¼	6	6½	7½	8

NOTES: (1) Pumps with D or DD dimensions 3" and larger have 125# ANSI flanged connections. Smaller sizes are threaded.  
(2) Dimensions apply to optional larger discharge pipe assemblies. Dimension H1 may vary somewhat from that shown  
(\* ) 2S, 2M pump with optional 3" discharge pipe, L dimension is 5".

### APPROXIMATE MOTOR DIMENSIONS

Motor Frame	56	143	145	182	184	213	215	254	256	284	286	324	326	364	365	404	405	
Type	C	TC	TC	TC	TC	TC	TC	TC	TC	TC	TC	TSC	TSC	TSC	TSC	TSC	TSC	
AG	13¾	10¾	11¾	12¾	13¾	15¾	16¾	18¾	20¾	20	21½	22	23½	27¼	28¾	30	31	
LP	9¾			10¾						12¾			137/16					

Customer				Shop Order No.				Date:				By:				
Pump Data	Fig. No.	Size	Curve No.	GPM	Head	Sp. Gr.	Temp.	Rotation	Packing/Seal							
Motor Data	MFGR	Hp	RPM	Phase-Cycle Voltage			Frame	Enclosure	Insulation	Furnished by		Mounted				

SECTION 44  
PAGE 8  
DATE 9/16



## PUMPS & SYSTEMS

A Crane Co. Company

USA: (937) 778-8947 • Canada: (905) 457-6223 • International: (937) 615-3598