

**BALDOR® • RELIANCE** 

**Product Information Packet**

**KEM30003**

**.25HP,1725RPM,3PH,60HZ,56C,3413M,OPEN,F1**

Part Detail							
Revision:	D	Status:	PRD/A	Change #:		Proprietary:	No
Type:	AC	Elec. Spec:	34WGR137	CD Diagram:	CD0005	Mfg Plant:	
Mech. Spec:	34-274	Layout:	34LY0274	Poles:	04	Created Date:	10-08-2014
Base:	N	Eff. Date:	07-24-2018	Leads:	9#18		

Specs			
Catalog Number:	KEM30003	Insulation Class:	B
Enclosure:	OPEN	Inverter Code:	Not Inverter
Frame:	56C	KVA Code:	M
Frame Material:	Steel	Lifting Lugs:	No Lifting Lugs
Output @ Frequency:	.250 HP @ 60 HZ	Locked Bearing Indicator:	Locked Bearing
Synchronous Speed @ Frequency:	1800 RPM @ 60 HZ	Motor Lead Quantity/Wire Size:	9 @ 18 AWG
Voltage @ Frequency:	460.0 V @ 60 HZ	Motor Lead Exit:	Ko Box
	230.0 V @ 60 HZ	Motor Lead Termination:	Flying Leads
XP Class and Group:	None	Motor Type:	3413M
XP Division:	Not Applicable	Mounting Arrangement:	F1
Agency Approvals:	CSA	Power Factor:	62
	UR	Product Family:	General Purpose
Auxillary Box:	No Auxillary Box	Pulley End Bearing Type:	Ball
Auxillary Box Lead Termination:	None	Pulley Face Code:	C-Face
Base Indicator:	No Mounting	Pulley Shaft Indicator:	Standard
Bearing Grease Type:	Polyrex EM (-20F +300F)	Rodent Screen:	None
Blower:	None	RoHS Status:	ROHS COMPLIANT
Current @ Voltage:	.500 A @ 460.0 V	Shaft Extension Location:	Pulley End

	1.000 A @ 230.0 V	<b>Shaft Ground Indicator:</b>	No Shaft Grounding
	1.300 A @ 208.0 V	<b>Shaft Rotation:</b>	Reversible
<b>Design Code:</b>	B	<b>Shaft Slinger Indicator:</b>	No Slinger
<b>Drip Cover:</b>	Drip Cover	<b>Speed Code:</b>	Single Speed
<b>Duty Rating:</b>	CONT	<b>Motor Standards:</b>	NEMA
<b>Electrically Isolated Bearing:</b>	Not Electrically Isolated	<b>Starting Method:</b>	Direct on line
<b>Feedback Device:</b>	NO FEEDBACK	<b>Thermal Device - Bearing:</b>	NONE (OLD)
<b>Front Face Code:</b>	Drip Cover Mounting	<b>Thermal Device - Winding:</b>	None
<b>Front Shaft Indicator:</b>	None	<b>Vibration Sensor Indicator:</b>	No Vibration Sensor
<b>Heater Indicator:</b>	No Heater	<b>Winding Thermal 1:</b>	None
		<b>Winding Thermal 2:</b>	None

Nameplate NP3155L													
CAT.NO.	KEM30003												
SPEC.	34-0274R137G1												
HP	.25												
VOLTS	230/460												
AMP	1/5												
RPM	1725												
FRAME	56C					HZ	60			PH	3		
SER.F.	1.35					CODE	M		DES	B		CL	B
F.L. AVG. EFF.	69.5					PF	62						
RATING	40C AMB-CONT												
CC										USABLE AT 208V	1.3		
DE	6203					ODE	6203						
ENCL	OPEN					SN							
	SFA 1.2/6												

Parts List		
Part Number	Description	Quantity
SA288164	SA 34-0274R137G1	1.000 EA
RA274362	RA 34-0274R137G1	1.000 EA
NS2512A01	INSULATOR, CONDUIT BOX X	1.000 EA
34CB3002A	CB CAST W/.88 DIA HOLE	1.000 EA
51XB1016A07	10-16 X 7/16 HXWSSLD SERTYB	2.000 EA
11XW1032G06	10-32 X .38, TAPTITE II, HEX WSHR SLTD U	1.000 EA
34EP3200A03SP	FR ENDPLATE, MACH	1.000 EA
HW5100A03	WAVY WASHER (W1543-017)	1.000 EA
34EP3400A05	PU ENDPLATE, MACH	1.000 EA
34AD2000	BAFFLE PLATE, STAMPED	1.000 EA
60XW0632A06	6-32 X 3/8 TORX HEAD SCREW TAPTITE II	4.000 EA
51XN1032A20	10-32 X 1 1/4 HX WS SL SR	2.000 EA
34FH4000A11	DRIP COVER, STAMPED,PRIMER	1.000 EA
51XW1032A06	10-32 X .38, TAPTITE II, HEX WSHR SLTD S	3.000 EA
34CB4517	CB LID 4 MTG HOLES .22 DIA STAMPED, FOR	1.000 EA
51XW0832A07	8-32 X .44, TAPTITE II, HEX WSHR SLTD SE	4.000 EA
HW2501D13	KEY, 3/16 SQ X 1.375	1.000 EA
HA7000A04	KEY RETAINER 0.625 DIA SHAFTS	1.000 EA
85XU0407S04	4X1/4 U DRIVE PIN STAINLESS	2.000 EA
HA3100A12	THRUBOLT 10-32 X 7.375	4.000 EA
MG1000Y03	MUNSELL 2.53Y 6.70/ 4.60, GLOSS 20,	0.014 GA
MN416A01	TAG-INSTAL-MAINT no wire (1200/bx) 5/18	1.000 EA
LB1119N	WARNING LABEL	1.000 EA
LC0005	CONN.DIA.,TY M,9-LD,DUAL VOLT,REVERSING	1.000 EA

<b>Parts List (continued)</b>		
<b>Part Number</b>	<b>Description</b>	<b>Quantity</b>
NP3155L	ALUM SUPER-E UL CSA CC "SEMS"	1.000 EA
36PA1000	PKG GRP, PRINT PK1016A06	1.000 EA
PK3083T	STYROFOAM PACKING CRADLE	1.000 EA
PK3088	MICROFOAM, 8"X"8 PERF. SHEETS 5,400/RL	1.000 EA

**AC Induction Motor Performance Data**

Record # 47473 - Typical performance - not guaranteed values

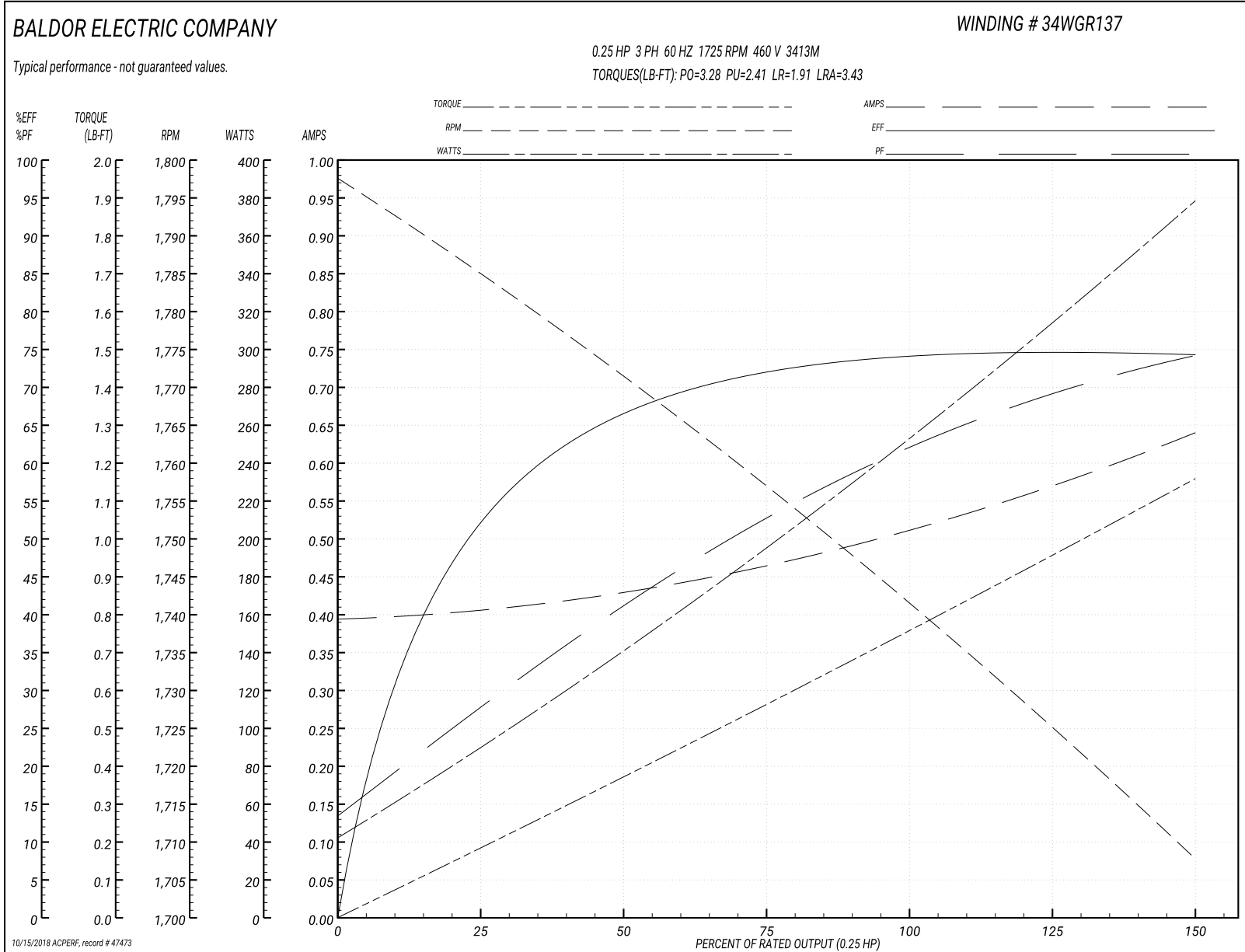
<b>Winding:</b> 34WGR137-R002	<b>Type:</b> 3413M	<b>Enclosure:</b> OPEN
-------------------------------	--------------------	------------------------

Nameplate Data				460 V, 60 Hz: High Voltage Connection	
Rated Output (HP)	.25			Full Load Torque	0.76 LB-FT
Volts	230/460			Start Configuration	direct on line
Full Load Amps	1/5			Breakdown Torque	3.28 LB-FT
R.P.M.	1725			Pull-up Torque	2.41 LB-FT
Hz	60	Phase	3	Locked-rotor Torque	1.91 LB-FT
NEMA Design Code	B	KVA Code	M	Starting Current	3.43 A
Service Factor (S.F.)	1.35			No-load Current	0.395 A
NEMA Nom. Eff.	69.5	Power Factor	62	Line-line Res. @ 25°C	60.2 Ω
Rating - Duty	40C AMB-CONT			Temp. Rise @ Rated Load	16°C
S.F. Amps	1.2/6			Temp. Rise @ S.F. Load	20°C
				Locked-rotor Power Factor	63
				Rotor inertia	0.031 LB-FT <sup>2</sup>

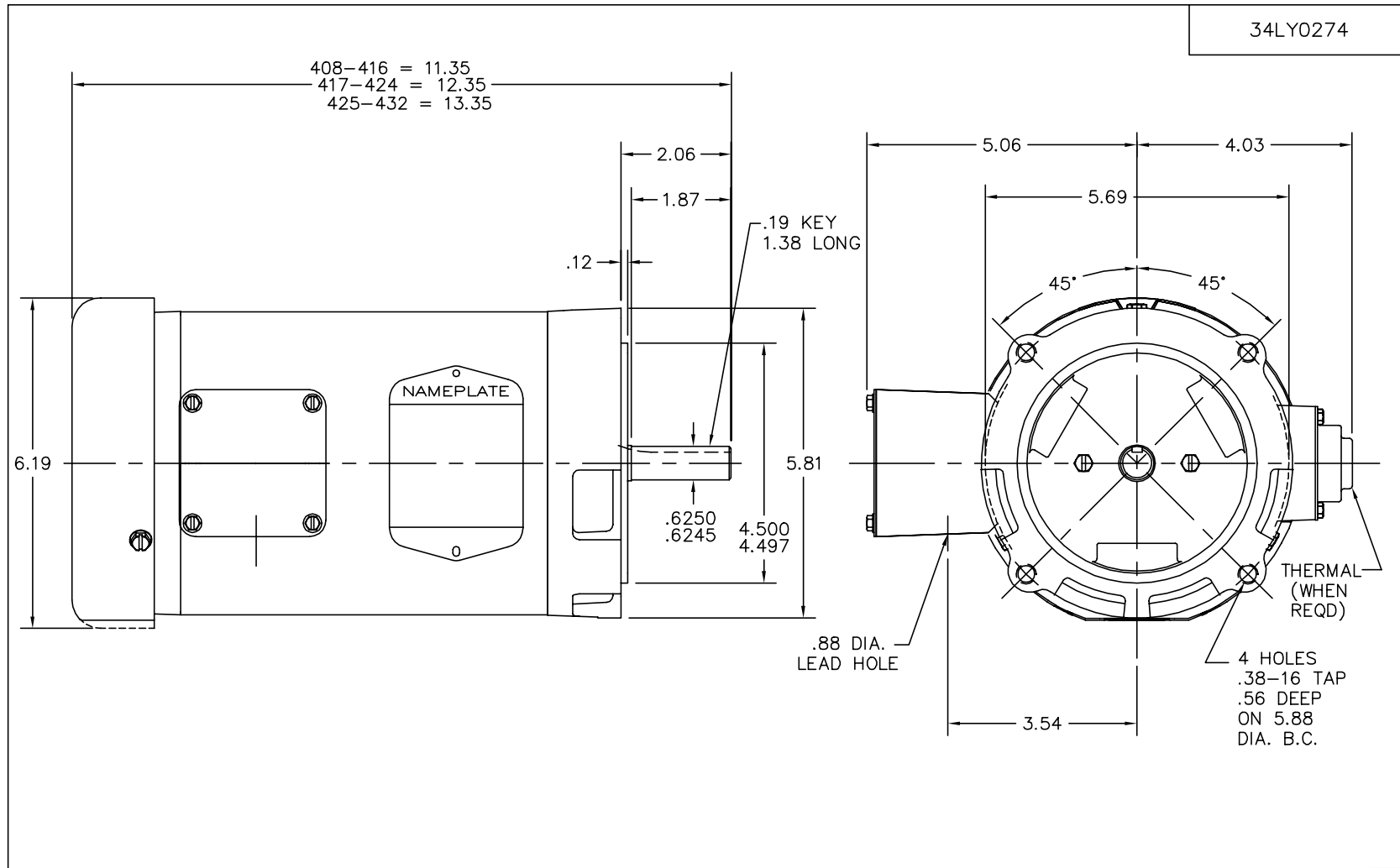
Load Characteristics 460 V, 60 Hz, 0.25 HP

% of Rated Load	25	50	75	100	125	150	S.F.
Power Factor	28	41	53	62	69	74	71
Efficiency	52.3	65.9	72.5	74.1	74.8	74.2	74.6
Speed	1783	1771	1757	1742	1726	1707	1718
Line amperes	0.405	0.428	0.467	0.514	0.568	0.64	0.597

Performance Graph at 460V, 60Hz, 0.25HP Typical performance - Not guaranteed values







CUSTOMER IS RESPONSIBLE FOR DETERMINING THAT MOTOR PERFORMANCE IS SUITABLE IN THE APPLICATION.

REV. DESC: CORRECTED LAYERING, NO DIMENSIONAL CHANGES.

REV. LTR: F | BY: DMB | REVISED: 15:13:20 05/20/2004 | TDR: 332801

FILE: AAA00026287 | REF: 34LY0274

MTL: -

**BALDOR ELECTRIC Co.**

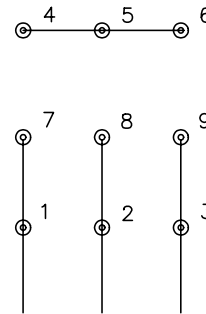
VERT MODEL 34M NEMA 56C OPEN MTR W/DRIP COVER

34LY0274

CD0005

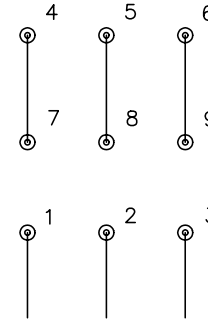


LOW VOLTAGE  
(2Y)



LINE

HIGH VOLTAGE  
(1Y)



LINE

NOTES:

1. INTERCHANGE ANY TWO LINE LEADS TO REVERSE ROTATION.
2. OPTIONAL THERMOSTATS ARE PROVIDED WHEN SPECIFIED.
3. ACTUAL NUMBER OF INTERNAL PARALLEL CIRCUITS MAY BE A MULTIPLE OF THOSE SHOWN ABOVE.
4. LEAD COLORS ARE OPTIONAL. LEADS MUST ALWAYS BE NUMBERED AS SHOWN.

REV. DESC: REVISE TO SHOW OPTIONAL COLORS

REV. LTR: E BY: JLP

REVISED: 01/19/99 10:15

TDR: 0171435

9000D

FILE: AAA00005140

MDL: -

MTL: -

**BALDOR ELECTRIC Co.**

3PH, DV, 9 LEADS

CD0005