



TYPE "B" SINGLE STAGE CENTRIFUGAL PUMP Electric Motor Drive

Section	CC
Page	170.1
Date	January 1, 2004
Supersedes 6/1/95	

SILICON BRONZE IMPELLER

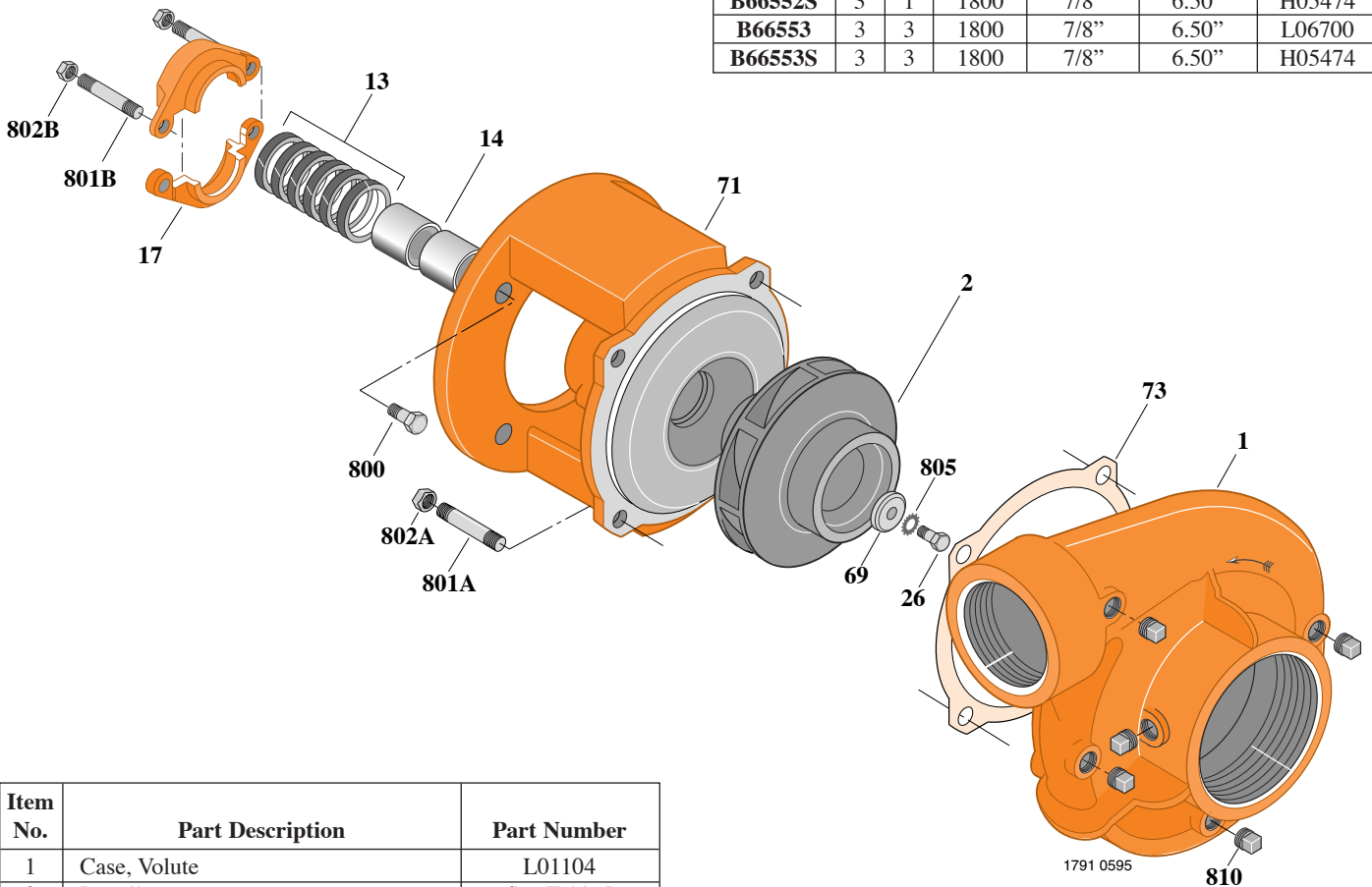
B3TPH

Threaded Case (NPT)

Packing Construction

TABLE I

B/M No.	HP	PH	RPM	"U" Dim.	Imp. Dia.	Imp. No.
B66552	3	1	1800	7/8"	6.50"	L06700
B66552S	3	1	1800	7/8"	6.50"	H05474
B66553	3	3	1800	7/8"	6.50"	L06700
B66553S	3	3	1800	7/8"	6.50"	H05474



Item No.	Part Description	Part Number
1	Case, Volute	L01104
2	Impeller	See Table I
13	Rings, Packing (Set of 6)	S13469
14	Sleeve, Shaft (2 Req.)	S00619
17	Gland, Packing	B82469
26	Screw, Impeller 3/8 - 16 x 1"	S23566
32	Key, 3/16 x 1-1/4" (See Note)	S34383
69	Washer, Impeller	S06314
71	Bracket	See Table II
73	Gasket, Volute	S04757
800	Capscrew, 3/8 - 16 x 7/8" (4 Req.)	S26825
801A	Stud, 1/2 - 13 x 1-1/2" (4 Req.)	S24043
801B	Stud, 3/8 - 16 x 4" (2 Req.)	S08303
802A	Nut, Hex 1/2 - 13 (4 Req.)	S23107
802B	Nut, Hex 3/8 - 16 (2 Req.)	S23343
805	Washer, Lock	S23036
810	Plug, Pipe 1/4 NPT (5 Req.)	S23715

TABLE II

HP	PH	Bracket No.	"AK" Fit	"U" Dim.	Motor Frame
3	1	L01525	4-1/2"	7/8"	184JP
3	3	L01525	4-1/2"	7/8"	182JP

NOTE: For an explanation of the tabulated material found on this page and for impeller key location, refer to *Supplement A* located at the beginning of this section.



TYPE "B" SINGLE STAGE CENTRIFUGAL PUMP Electric Motor Drive

Section	CC
Page	170.2
Date	January 1, 2004
Supersedes 6/1/95	

SILICON BRONZE IMPELLER

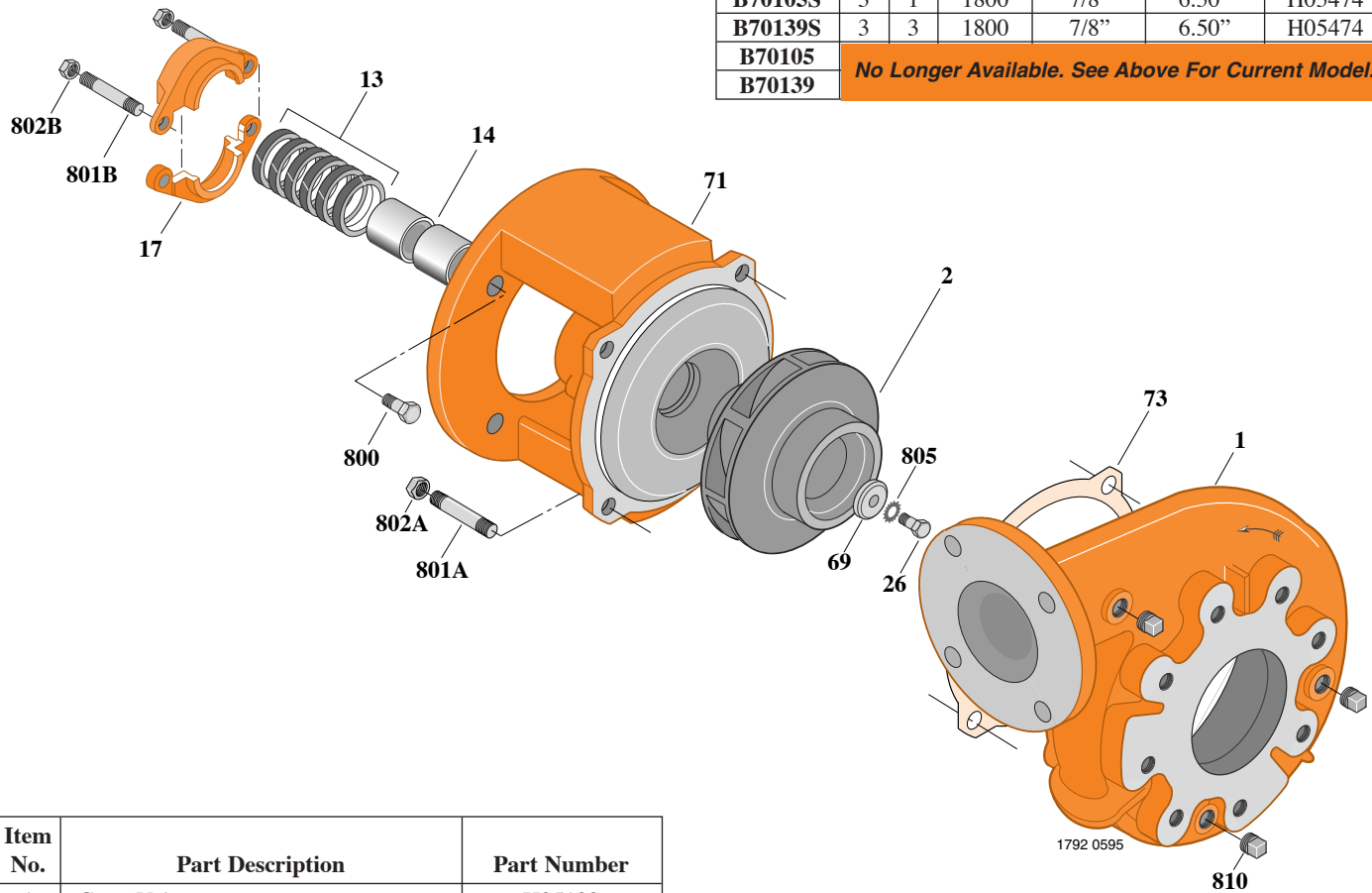
B3TPH

Flanged Case

Packing Construction

TABLE I

B/M No.	HP	PH	RPM	"U" Dim.	Imp. Dia.	Imp. No.
B70105S	3	1	1800	7/8"	6.50"	H05474
B70139S	3	3	1800	7/8"	6.50"	H05474
B70105	<i>No Longer Available. See Above For Current Model.</i>					
B70139						



Item No.	Part Description	Part Number
1	Case, Volute	H05129
2	Impeller	See Table I
13	Rings, Packing (Set of 6)	S13469
14	Sleeve, Shaft (2 Req.)	S00619
17	Gland, Packing	B82469
26	Screw, Impeller 3/8 - 16 x 1"	S23566
32	Key, 3/16 x 1-1/4" (See Note)	S34383
69	Washer, Impeller	S06314
71	Bracket	See Table II
73	Gasket, Volute	S04757
800	Capscrew, 3/8 - 16 x 7/8" (4 Req.)	S26825
801A	Stud, 1/2 - 13 x 1-1/2" (4 Req.)	S23043
801B	Stud, 3/8 - 16 x 4" (2 Req.)	S08303
802A	Nut, Hex 1/2 - 13 (4 Req.)	S23107
802B	Nut, Hex 3/8 - 16 (3 Req.)	S23343
805	Washer, Lock	S23036
810	Plug, Pipe 1/4 NPT (5 Req.)	S23715

TABLE II

HP	PH	Bracket No.	"AK" Fit	"U" Dim.	Motor Frame
3	1	L01525	4-1/2"	7/8"	184JP
3	3	L01525	4-1/2"	7/8"	182JP

NOTE: For an explanation of the tabulated material found on this page and for impeller key location, refer to *Supplement A* located at the beginning of this section.



TYPE "B" SINGLE STAGE CENTRIFUGAL PUMP Electric Motor Drive

Section	CC
Page	170.3
Date	January 1, 2004
Supersedes 6/1/95	

BRONZE IMPELLER

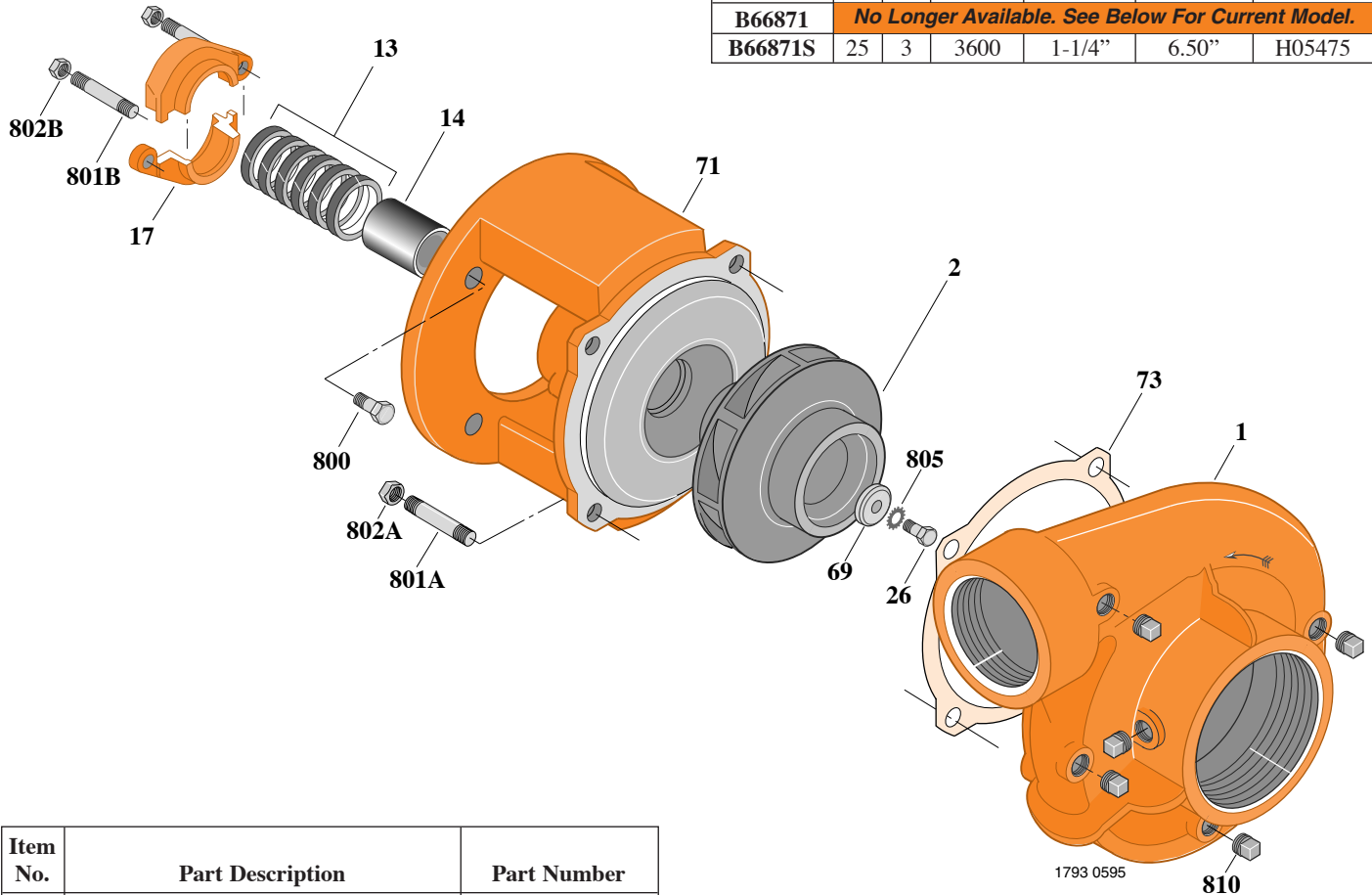
B3TPH

Threaded Case (NPT)

Packing Construction

TABLE I

B/M No.	HP	PH	RPM	"U" Dim.	Imp. Dia.	Imp. No.
B66871	<i>No Longer Available. See Below For Current Model.</i>					
B66871S	25	3	3600	1-1/4"	6.50"	H05475



Item No.	Part Description	Part Number
1	Case, Volute	L01104
2	Impeller	See Table I
13	Rings, Packing (Set of 6)	S13470
14	Sleeve, Shaft	S05149
17	Gland, Packing	B82470
26	Screw, Impeller 1/2 - 13 x 1"	S23619
32	Key, 1/4 x 2-1/4" (See Note)	S23677
69	Washer, Impeller	S06319
71	Bracket	See Table II
73	Gasket, Volute	S04757
800	Capscrew, 1/2 - 13 x 1" (4 Req.)	S26912
801A	Stud, 1/2 - 13 x 1-1/2" (4 Req.)	S24043
801B	Stud, 3/8 - 16 x 3-1/2" (2 Req.)	S04441
802A	Nut, Hex 1/2 - 13 (4 Req.)	S23107
802B	Nut, Hex 3/8 - 16 (2 Req.)	S23343
805	Washer, Lock	S23038
810	Plug, Pipe 1/4 NPT (5 Req.)	S23715

TABLE II

HP	PH	Bracket No.	"AK" Fit	"U" Dim.	Motor Frame
25	3	L01951	8-1/2"	1-1/4"	256JP

NOTE: For an explanation of the tabulated material found on this page and for impeller key location, refer to *Supplement A* located at the beginning of this section.



TYPE "B" SINGLE STAGE CENTRIFUGAL PUMP Electric Motor Drive

Section	CC
Page	170.4
Date	January 1, 2004
Supersedes 6/1/95	

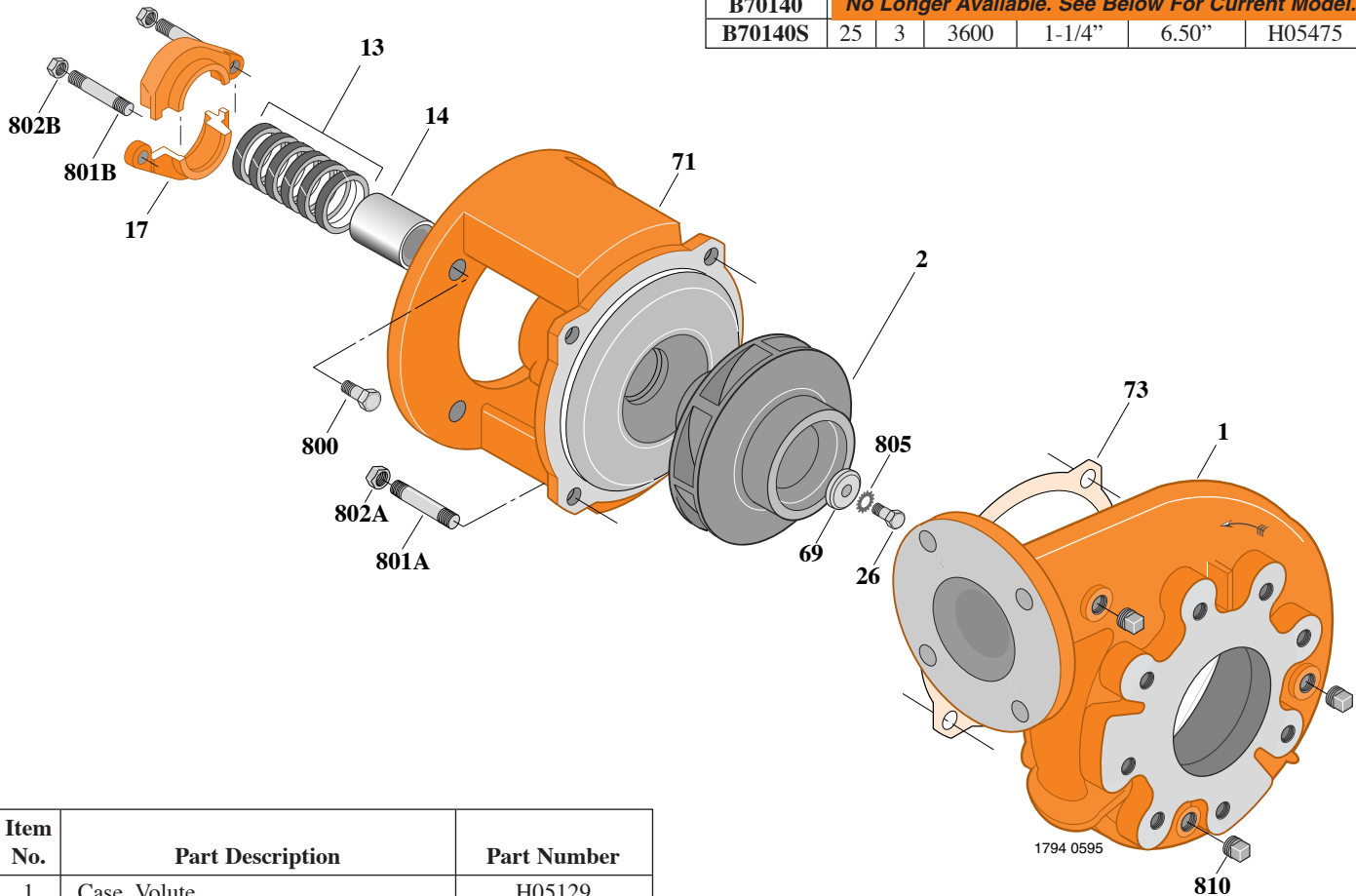
BRONZE IMPELLER B3TPH

Flanged Case

Packing Construction

TABLE I

B/M No.	HP	PH	RPM	"U" Dim.	Imp. Dia.	Imp. No.
B70140	<i>No Longer Available. See Below For Current Model.</i>					
B70140S	25	3	3600	1-1/4"	6.50"	H05475



Item No.	Part Description	Part Number
1	Case, Volute	H05129
2	Impeller	See Table I
13	Rings, Packing (Set of 6)	S13470
14	Sleeve, Shaft	S05149
17	Gland, Packing	B82470
26	Screw, Impeller 1/2 - 13 x 1"	S23619
32	Key, 1/4 x 2-1/4" (See Note)	S23677
69	Washer, Impeller	S06319
71	Bracket	See Table II
73	Gasket, Volute	S04757
800	Capscrew, 1/2 - 13 x 1" (4 Req.)	S26912
801A	Stud, 1/2 - 13 x 1-1/2" (4 Req.)	S23043
801B	Stud, 3/8 - 16 x 3-1/2" (2 Req.)	S04441
802A	Nut, Hex 1/2 - 13 (4 Req.)	S23017
802B	Nut, Hex 3/8 - 16 (2 Req.)	S23343
805	Washer, Lock	S23038
810	Plug, Pipe 1/4 NPT (5 Req.)	S23715

TABLE II

HP	PH	Bracket No.	"AK" Fit	"U" Dim.	Motor Frame
25	3	L01951	8-1/2"	1-1/4"	256JP

NOTE: For an explanation of the tabulated material found on this page and for impeller key location, refer to *Supplement A* located at the beginning of this section.



TYPE "B" SINGLE STAGE CENTRIFUGAL PUMP Electric Motor Drive

Section	CC
Page	170.45
Date	January 1, 2004
Supersedes/New	

SILICON BRONZE IMPELLER

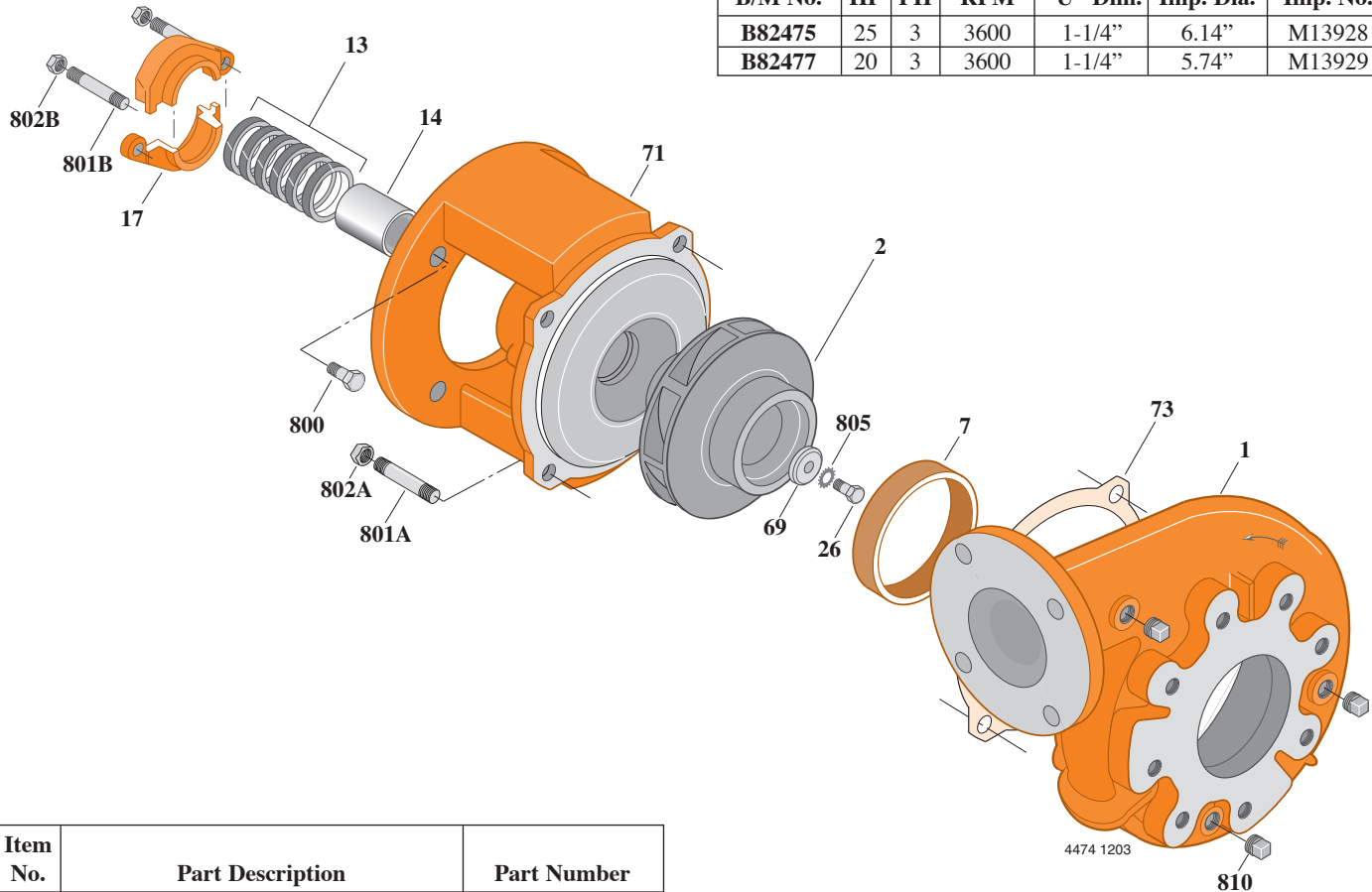
B3TPHH

Flanged Case

Packing Construction

TABLE I

B/M No.	HP	PH	RPM	"U" Dim.	Imp. Dia.	Imp. No.
B82475	25	3	3600	1-1/4"	6.14"	M13928
B82477	20	3	3600	1-1/4"	5.74"	M13929



Item No.	Part Description	Part Number
1	Case, Volute	M13925
2	Impeller	See Table I
7	Ring, Wearing	M13926
13	Rings, Packing (Set of 6)	S13470
14	Sleeve, Shaft	S05149
17	Gland, Packing	B82470
26	Screw, Impeller 1/2 - 13 x 1"	S23619
32	Key, 1/4 x 2-1/4" (See Note)	S23677
69	Washer, Impeller	M13927
71	Bracket	See Table II
73	Gasket, Volute	S04757
800	Capscrew, 1/2 - 13 x 1" (4 Req.)	S26912
801A	Stud, 1/2 - 13 x 1-1/2" (4 Req.)	S24043
801B	Stud, 3/8 - 16 x 3-1/2" (2 Req.)	S04441
802A	Nut, Hex 1/2 - 13 (2 Req.)	S26460
802B	Nut, Hex 3/8 - 16 (3 Req.)	S23343
805	Washer, Lock	S23038
810	Plug, Pipe 1/4 NPT (5 Req.)	S23715

TABLE II

HP	PH	Bracket No.	"AK" Fit	"U" Dim.	Motor Frame
25	3	L01951	8-1/2"	1-1/4"	256JP
20	3	L01951	8-1/2"	1-1/4"	254JP

NOTE: For an explanation of the tabulated material found on this page and for impeller key location, refer to *Supplement A* located at the beginning of this section.



TYPE "B" SINGLE STAGE CENTRIFUGAL PUMP Electric Motor Drive

Section	CC
Page	170.5
Date	May 15, 2009
Supersedes 1/1/04	

BRONZE IMPELLER

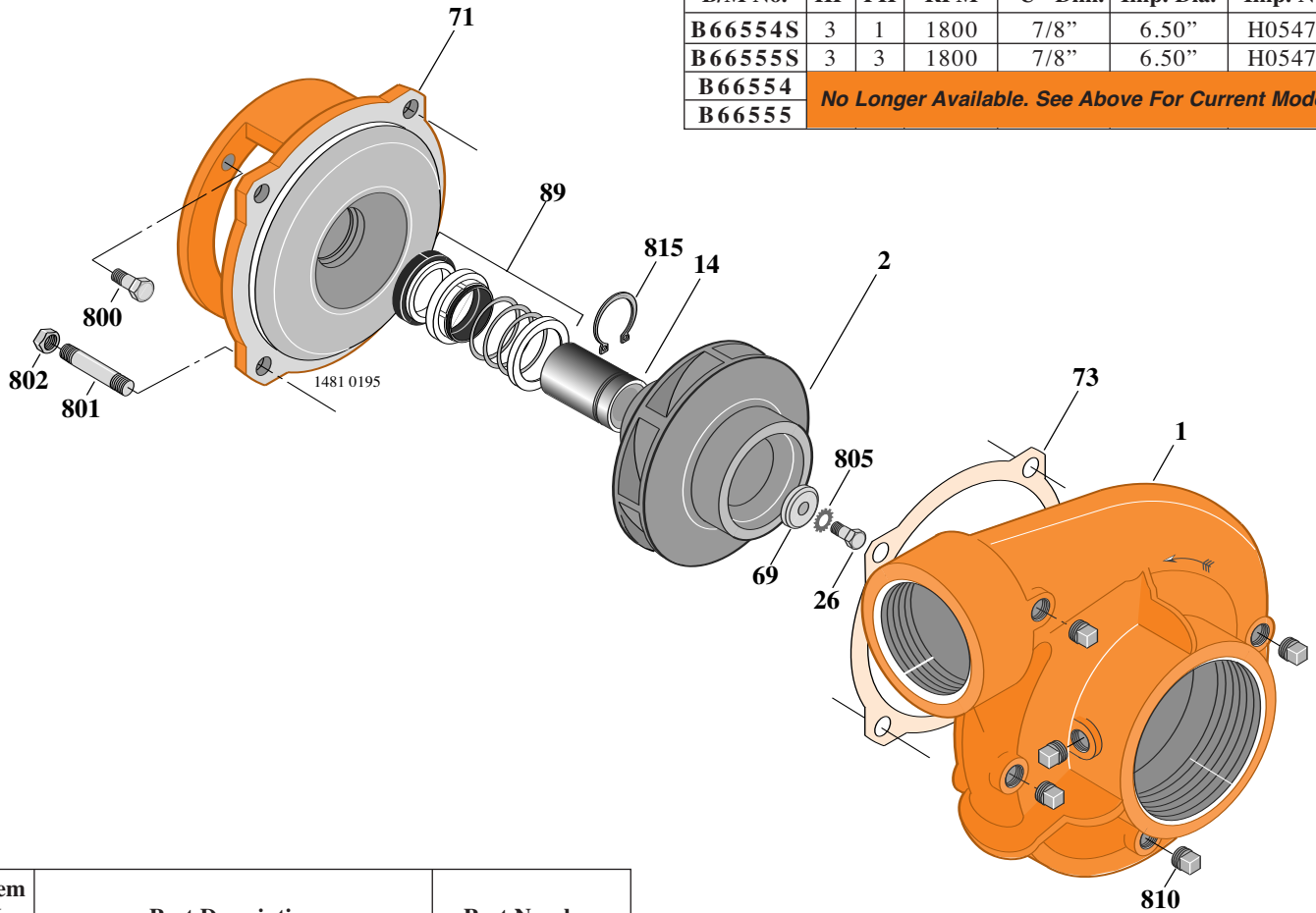
B3TPHS

Threaded Case (NPT)

Mechanical Shaft Seal Construction

TABLE I

B/M No.	HP	PH	RPM	"U" Dim.	Imp. Dia.	Imp. No.
B66554S	3	1	1800	7/8"	6.50"	H05474
B66555S	3	3	1800	7/8"	6.50"	H05474
B66554	<i>No Longer Available. See Above For Current Model.</i>					
B66555	<i>No Longer Available. See Above For Current Model.</i>					



Item No.	Part Description	Part Number
1	Case, Volute	L01104
2	Impeller	See Table I
14	Sleeve, Shaft (See Note 2)	S19310L
26	Screw, Impeller 3/8 - 16 x 1"	S23566
32	Key, 3/16 x 1-1/4" (See Note 1)	S34383
69	Washer, Impeller	S06314
71	Bracket	See Table II
73	Gasket, Volute	S04757
89	Seal, Mechanical Shaft	S32014
800A	Capscrew, 3/8 - 16 x 1"	S23566
800B	Capscrew, 3/8 - 16 x 1" (4 Req.)	S26826
801	Stud, 1/2 - 13 x 1-1/2" (4 Req.)	S24043
802	Nut, 1/2 - 13 (4 Req.)	S23107
805	Washer, Lock	S23036
810	Plug, Pipe (5 Req.)	S23715
815	Ring, Retaining	S11207

TABLE II

HP	PH	Bracket No.	"AK" Fit	"U" Dim.	Motor Frame
3	1	L05329	4-1/2"	7/8"	184JM
3	3	L05329	4-1/2"	7/8"	182JM

NOTE 1: For an explanation of the tabulated material found on this page and for impeller key location, refer to *Supplement A* located at the beginning of this section.

NOTE 2: Sleeve replacement kit available. Berkeley part number B85681 includes the shaft sleeve, adhesive compound and instruction sheet.



TYPE "B" SINGLE STAGE CENTRIFUGAL PUMP Electric Motor Drive

Section	CC
Page	170.6
Date	May 15, 2009
Supersedes 1/1/04	

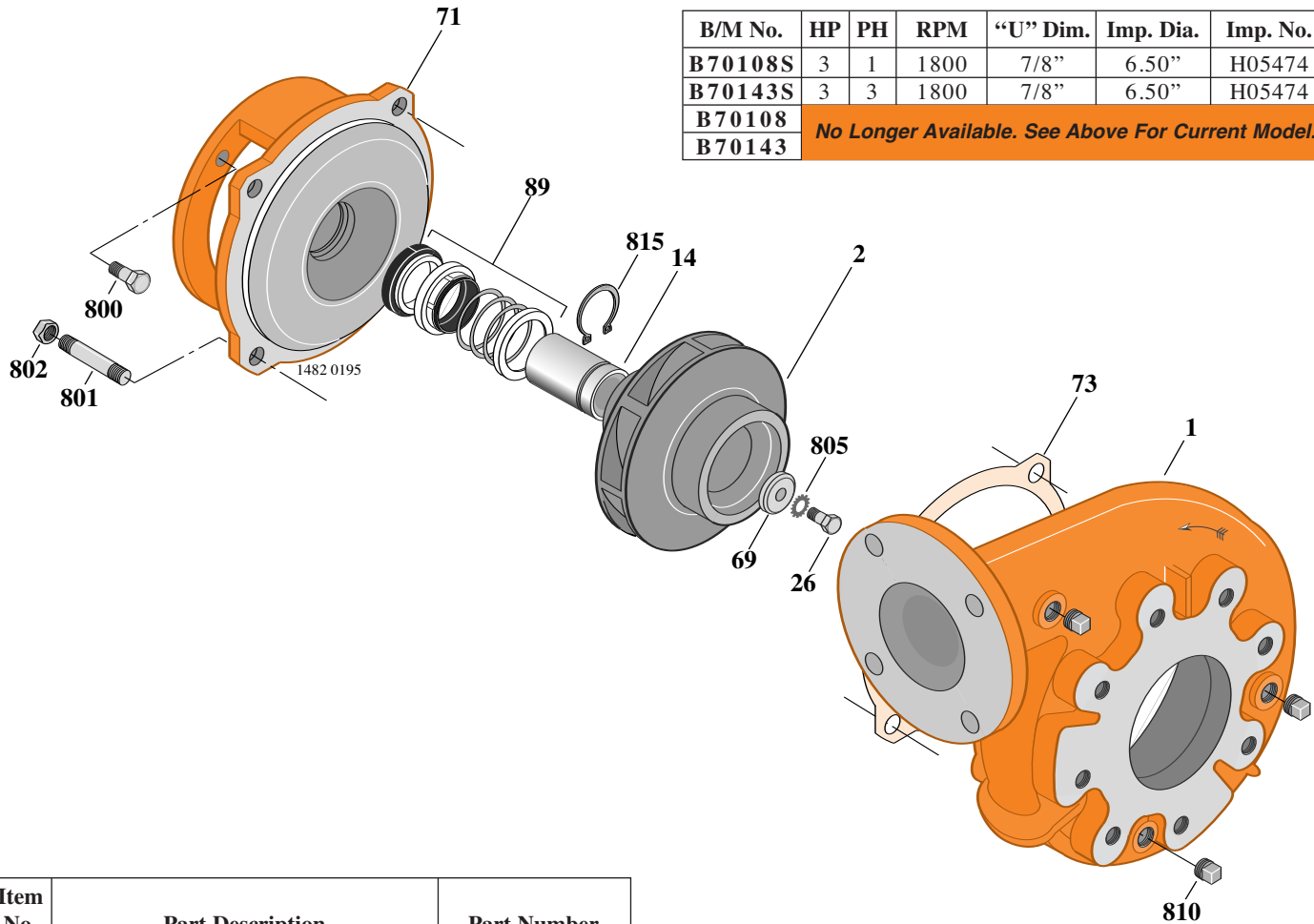
BRONZE IMPELLER B3TPHS

Flanged Case

Mechanical Shaft Seal Construction

TABLE I

B/M No.	HP	PH	RPM	"U" Dim.	Imp. Dia.	Imp. No.
B70108S	3	1	1800	7/8"	6.50"	H05474
B70143S	3	3	1800	7/8"	6.50"	H05474
B70108	<i>No Longer Available. See Above For Current Model.</i>					
B70143	<i>No Longer Available. See Above For Current Model.</i>					



Item No.	Part Description	Part Number
1	Case, Volute	H05129
2	Impeller	See Table I
14	Sleeve, Shaft (See Note 2)	S19310L
26	Screw, Impeller 3/8 - 16 x 1"	S23566
32	Key, 3/16 x 1-1/4" (See Note 1)	S34383
69	Washer, Impeller	S06314
71	Bracket	See Table II
73	Gasket, Volute	S04757
89	Seal, Mechanical Shaft	S32014
800A	Capscrew, 3/8 - 16 x 1"	S23566
800B	Capscrew, 3/8 - 16 x 1" (4 Req.)	S26826
801	Stud, 1/2 - 13 x 1-1/2" (4 Req.)	S24043
802	Nut, 1/2 - 13 (4 Req.)	S23107
805	Washer, Lock	S23036
810	Plug, Pipe 1/4 NPT (5 Req.)	S23715
815	Ring, Retaining	S11207

TABLE II

HP	PH	Bracket No.	"AK" Fit	"U" Dim.	Motor Frame
3	1	L05329	4-1/2"	7/8"	184JM
3	3	L05329	4-1/2"	7/8"	182JM

NOTE 1: For an explanation of the tabulated material found on this page and for impeller key location, refer to *Supplement A* located at the beginning of this section.

NOTE 2: Sleeve replacement kit available. Berkeley part number B85681 includes the shaft sleeve, adhesive compound and instruction sheet.



TYPE "B" SINGLE STAGE CENTRIFUGAL PUMP Electric Motor Drive

Section	CC
Page	170.7
Date	January 1, 2004
Supersedes 6/1/95	

BRONZE IMPELLER

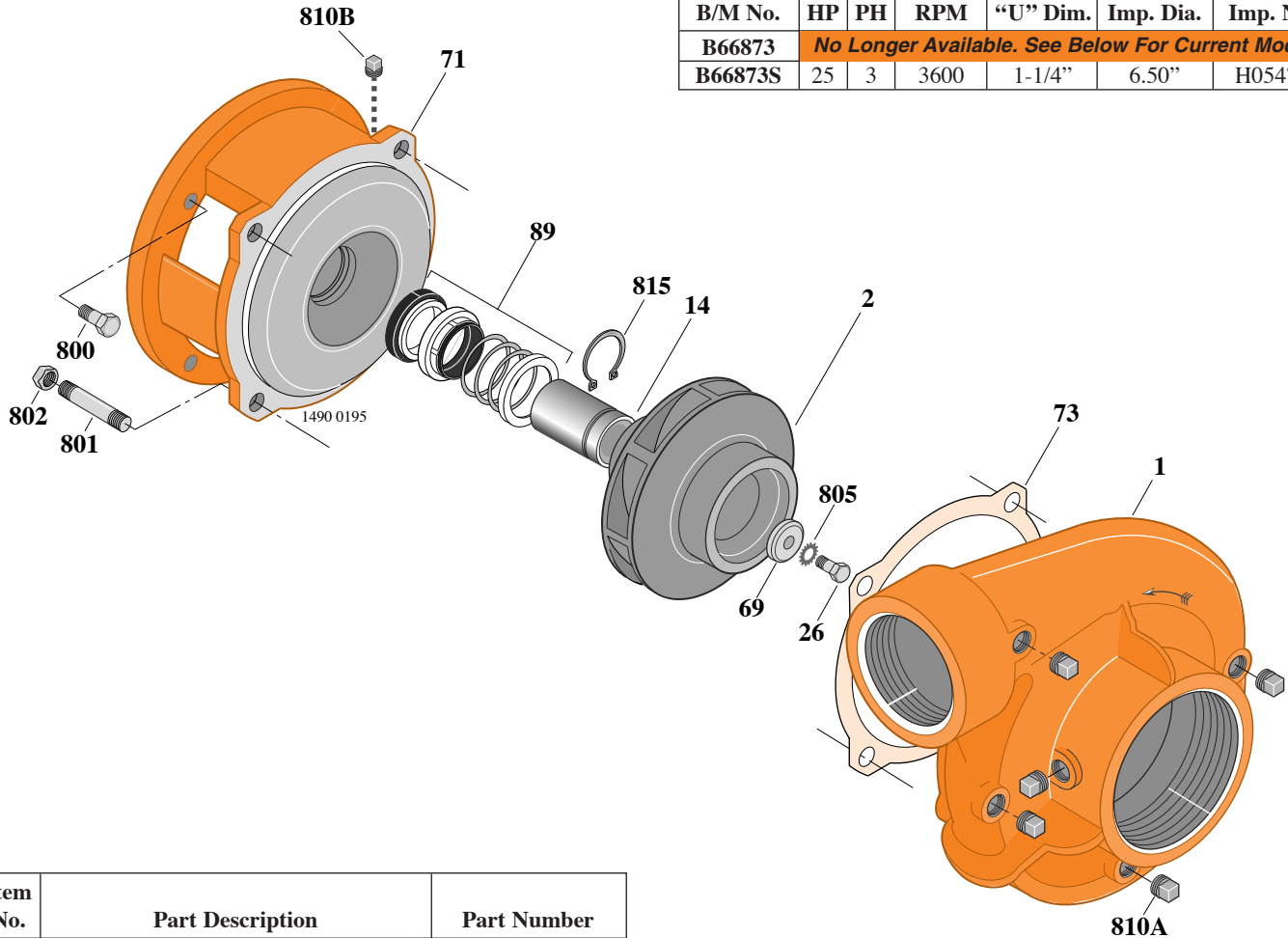
B3TPHS

Threaded Case (NPT)

Mechanical Shaft Seal Construction

TABLE I

B/M No.	HP	PH	RPM	"U" Dim.	Imp. Dia.	Imp. No.
B66873	<i>No Longer Available. See Below For Current Model.</i>					
B66873S	25	3	3600	1-1/4"	6.50"	H05475



Item No.	Part Description	Part Number
1	Case, Volute	L01104
2	Impeller	See Table I
14	Sleeve, Shaft	S18869
26	Screw, Impeller 3/8 - 16 x 1"	S23566
32	Key, 1/4 x 2-1/4" (See Note)	S23677
69	Washer, Impeller	S06319
71	Bracket	See Table II
73	Gasket, Volute	S04757
89	Seal, Mechanical Shaft	S32015
800A	Capscrew, 1/2 - 13 x 1"	S23619
800B	Capscrew, 1/2 - 13 x 1" (4 Req.)	S26912
801	Stud, 1/2 - 13 x 1-1/2" (4 Req.)	S24043
802	Nut, 1/2 - 13 (4 Req.)	S23107
805	Washer, Lock	S23038
810	Plug, Pipe (5 Req.)	S23715
815	Ring, Retaining	S16767

TABLE II

HP	PH	Bracket No.	"AK" Fit	"U" Dim.	Motor Frame
25	3	L05779	8-1/2"	1-1/4"	256JM

NOTE: For an explanation of the tabulated material found on this page and for impeller key location, refer to *Supplement A* located at the beginning of this section.



TYPE "B" SINGLE STAGE CENTRIFUGAL PUMP Electric Motor Drive

Section	CC
Page	170.8
Date	January 1, 2004
Supersedes 6/1/95	

BRONZE IMPELLER

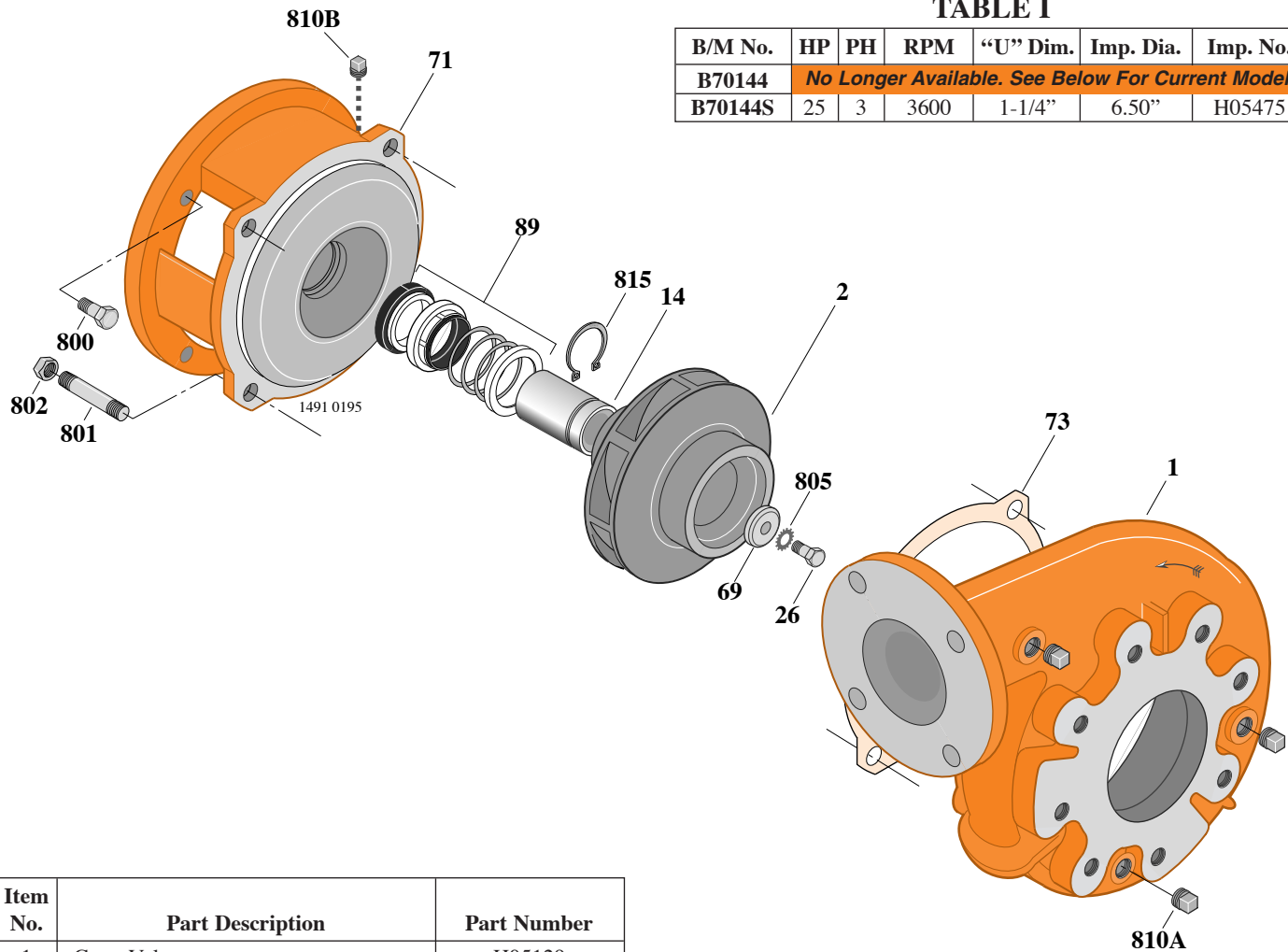
B3TPHS

Flanged Case

Mechanical Shaft Seal Construction

TABLE I

B/M No.	HP	PH	RPM	"U" Dim.	Imp. Dia.	Imp. No.
B70144	No Longer Available. See Below For Current Model.					
B70144S	25	3	3600	1-1/4"	6.50"	H05475



Item No.	Part Description	Part Number
1	Case, Volute	H05129
2	Impeller	See Table I
14	Sleeve, Shaft	S18869
26	Screw, Impeller 3/8 - 16 x 1"	S23566
32	Key, 1/4 x 2-1/4" (See Note)	S23677
69	Washer, Impeller	S06319
71	Bracket	See Table II
73	Gasket, Volute	S04757
89	Seal, Mechanical Shaft	S32015
800A	Capscrew, 1/2 - 13 x 1"	S23619
800B	Capscrew, 1/2 - 13 x 1" (4 Req.)	S26912
801	Stud, 1/2 - 13 x 1-1/2" (4 Req.)	S24043
802	Nut, 1/2 - 13 (4 Req.)	S23107
805	Washer, Lock	S23038
810	Plug, Pipe 1/4 NPT (5 Req.)	S23715
815	Ring, Retaining	S16767

TABLE II

HP	PH	Bracket No.	"AK" Fit	"U" Dim.	Motor Frame
25	3	L05779	8-1/2"	1-1/4"	256JM

NOTE: For an explanation of the tabulated material found on this page and for impeller key location, refer to *Supplement A* located at the beginning of this section.



TYPE "B" SINGLE STAGE CENTRIFUGAL PUMP Electric Motor Drive

Section	CC
Page	170.9
Date	January 1, 2004
Supersedes/New	

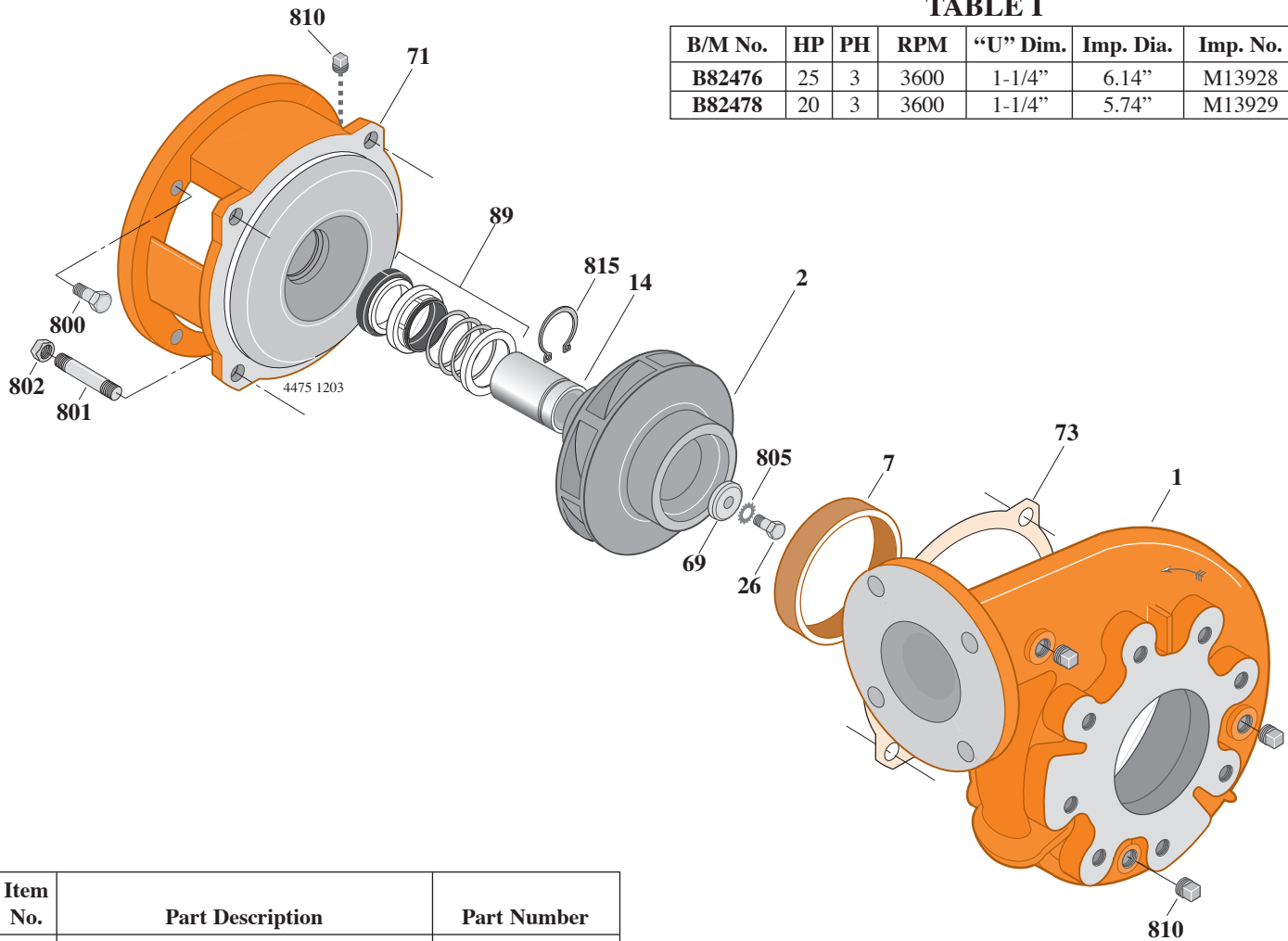
SILICON BRONZE IMPELLER B3TPHHS

Flanged Case

Mechanical Shaft Seal Construction

TABLE I

B/M No.	HP	PH	RPM	"U" Dim.	Imp. Dia.	Imp. No.
B82476	25	3	3600	1-1/4"	6.14"	M13928
B82478	20	3	3600	1-1/4"	5.74"	M13929



Item No.	Part Description	Part Number
1	Case, Volute	M13925
2	Impeller	See Table I
7	Ring, Wearing	M13926
14	Sleeve, Shaft	S18869
26	Screw, Impeller 1/2 - 13 x 1"	S23619
32	Key, 1/4 x 2-1/4" (See Note)	S23677
69	Washer, Impeller	M13927
71	Bracket	See Table II
73	Gasket, Volute	S04757
89	Seal, Mechanical Shaft	S32015
800	Capscrew, 1/2 - 13 x 1" (4 Req.)	S26912
801	Stud, 1/2 - 13 x 1-1/2" (4 Req.)	S24043
802	Nut, 1/2 - 13 (4 Req.)	S26460
805	Washer, Lock	S23038
810	Plug, Pipe 1/4 NPT (5 Req.)	S23715
815	Ring, Retaining	S16767

TABLE II

HP	PH	Bracket No.	"AK" Fit	"U" Dim.	Motor Frame
25	3	L05779	8-1/2"	1-1/4"	256JM
20	3	L05779	8-1/2"	1-1/4"	254JM

NOTE: For an explanation of the tabulated material found on this page and for impeller key location, refer to *Supplement A* located at the beginning of this section.



TYPE "B" SINGLE STAGE CENTRIFUGAL PUMP Electric Motor Drive

Section	CC
Page	170.10
Date	September 1, 1997
Supersedes/New	

SILICON BRONZE IMPELLER

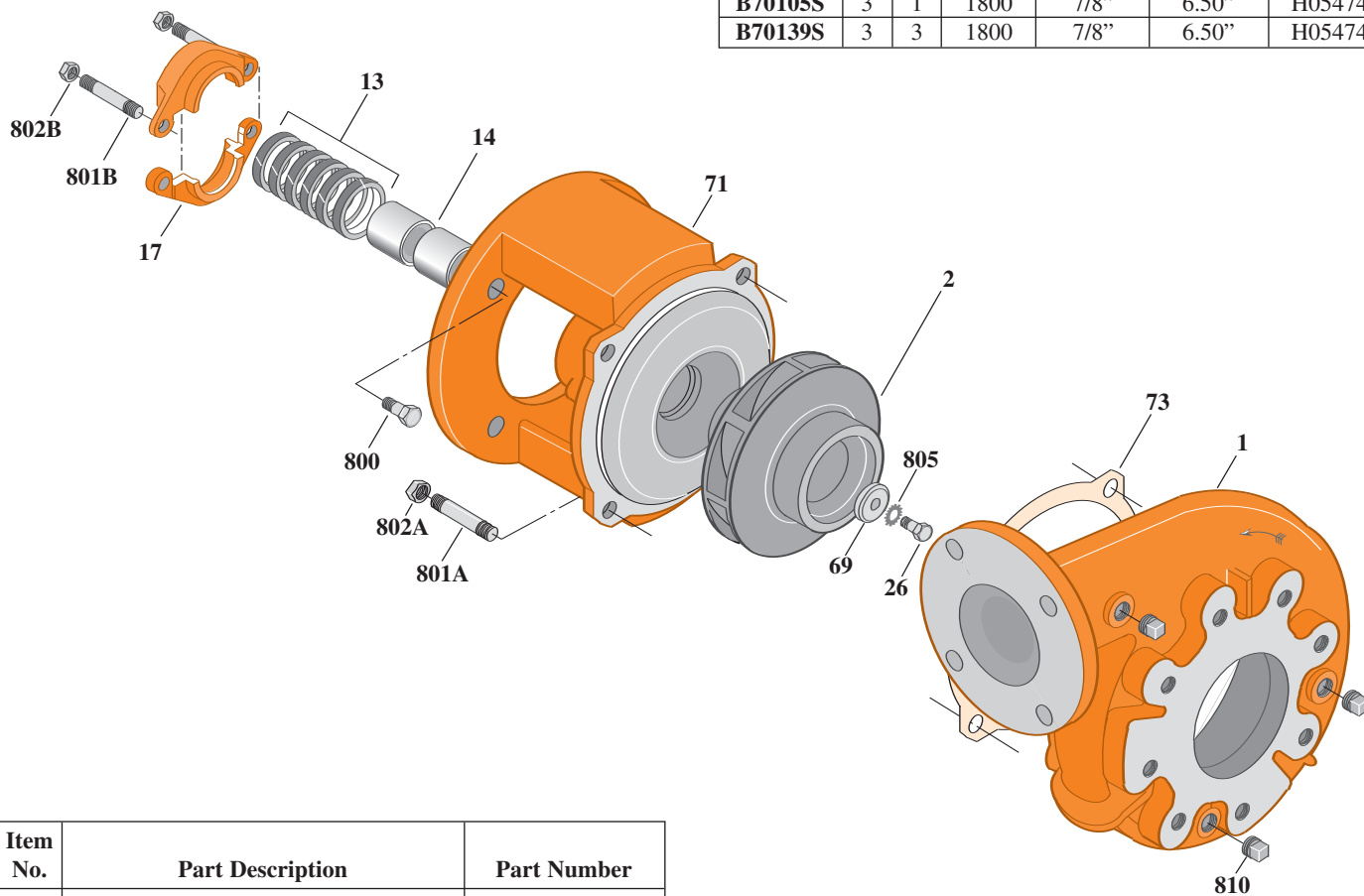
B3TPH

Flanged Case

Packing Construction

TABLE I

B/M No.	HP	PH	RPM	"U" Dim.	Imp. Dia.	Imp. No.
B70105S	3	1	1800	7/8"	6.50"	H05474
B70139S	3	3	1800	7/8"	6.50"	H05474



1792 0595

Item No.	Part Description	Part Number
1	Case, Volute	H05129
2	Impeller	See Table I
13	Rings, Packing (Set of 6)	S13469
14	Sleeve, Shaft (2 Req.)	S00619
17	Gland, Packing	S00393
26	Screw, Impeller 3/8 - 16 x 1"	S23566
32	Key, 3/16 x 1-1/4" (See Note)	S34383
69	Washer, Impeller	S06314
71	Bracket	See Table II
73	Gasket, Volute	S04757
800	Capscrew, 3/8 - 16 x 7/8" (4 Req.)	S26825
801A	Stud, 1/2 - 13 x 1-1/2" (4 Req.)	S24043
801B	Stud, 3/8 - 16 x 4" (2 Req.)	S08303
802A	Nut, Hex 1/2 - 13 (4 Req.)	S23107
802B	Nut, Hex 3/8 - 16 (2 Req.)	S23343
805	Washer, Lock	S23036
810	Plug, Pipe 1/4" NPT (3 Req.)	S23715

TABLE II

HP	PH	Bracket No.	"AK" Fit	"U" Dim.	Motor Frame
3	1	L01525	4-1/2"	7/8"	184JP
3	3	L01525	4-1/2"	7/8"	182JP

NOTE: For an explanation of the tabulated material found on this page and for impeller key location, refer to *Supplement A* located at the beginning of this section.



TYPE "B" SINGLE STAGE CENTRIFUGAL PUMP Electric Motor Drive

Section	CC
Page	170.11
Date	September 1, 1997
Supersedes/New	

SILICON BRONZE IMPELLER

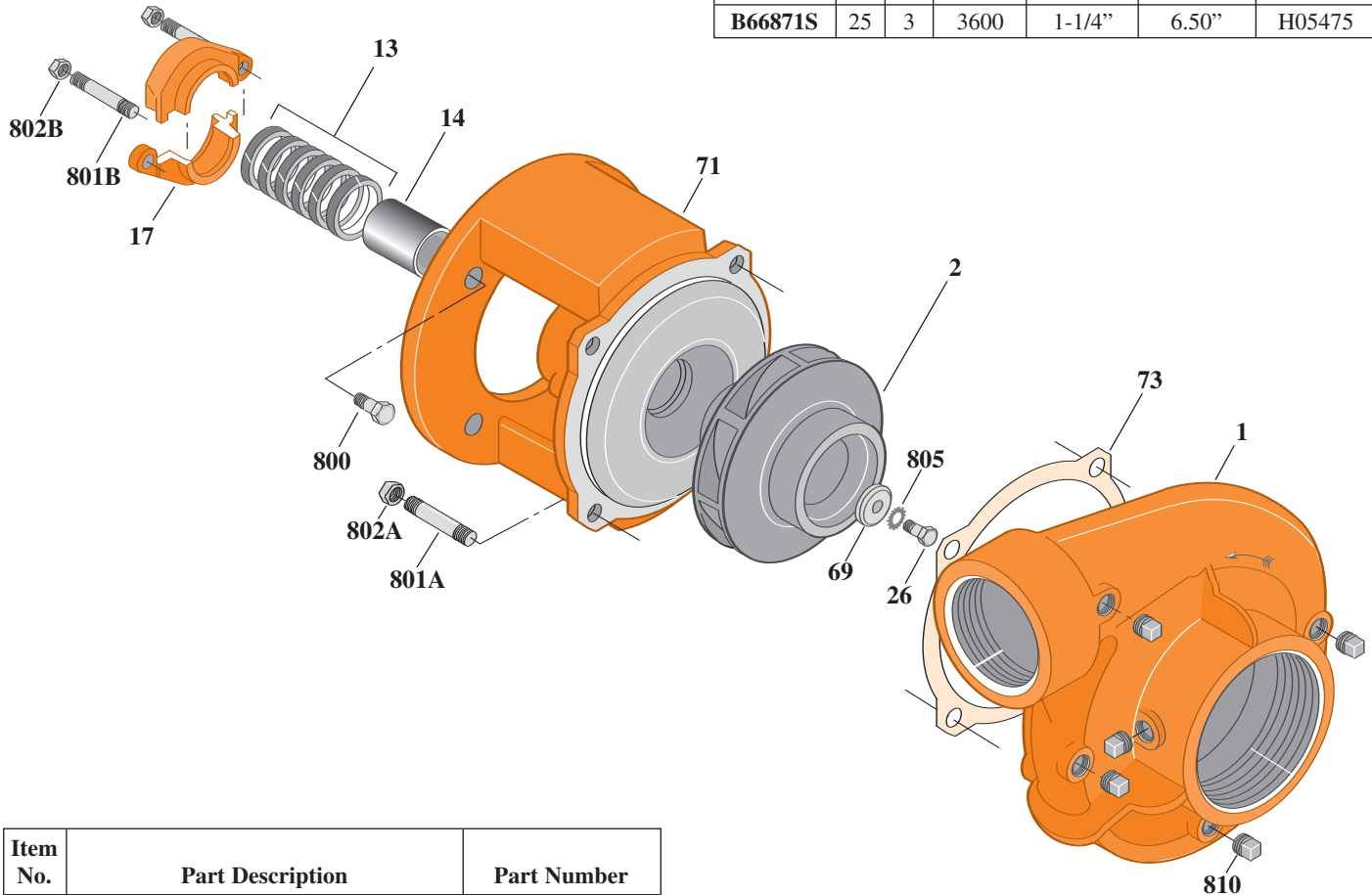
B3TPH

Threaded Case (NPT)

Packing Construction

TABLE I

B/M No.	HP	PH	RPM	"U" Dim.	Imp. Dia.	Imp. No.
B66871S	25	3	3600	1-1/4"	6.50"	H05475



1793 0595

Item No.	Part Description	Part Number
1	Case, Volute	L01104
2	Impeller	See Table I
13	Rings, Packing (Set of 6)	S13470
14	Sleeve, Shaft	S05149
17	Gland, Packing	S12034
26	Screw, Impeller 1/2 - 13 x 1"	S23619
32	Key, 1/4 x 2-1/4" (See Note)	S23677
69	Washer, Impeller	S06319
71	Bracket	See Table II
73	Gasket, Volute	S04757
800	Capscrew, 1/2 - 13 x 1" (4 Req.)	S26912
801A	Stud, 1/2 - 13 x 1-1/2" (4 Req.)	S24043
801B	Stud, 3/8 - 16 x 3-1/2" (2 Req.)	S04441
802A	Nut, Hex 1/2 - 13 (4 Req.)	S23107
802B	Nut, Hex 3/8 - 16 (2 Req.)	S23343
805	Washer, Lock	S23038
810	Plug, Pipe 1/4" NPT (5 Req.)	S23715

TABLE II

HP	PH	Bracket No.	"AK" Fit	"U" Dim.	Motor Frame
25	3	L01951	8-1/2"	1-1/4"	256JP

NOTE: For an explanation of the tabulated material found on this page and for impeller key location, refer to *Supplement A* located at the beginning of this section.



TYPE "B" SINGLE STAGE CENTRIFUGAL PUMP Electric Motor Drive

Section	CC
Page	170.12
Date	September 1, 1997
Supersedes/New	

SILICON BRONZE IMPELLER

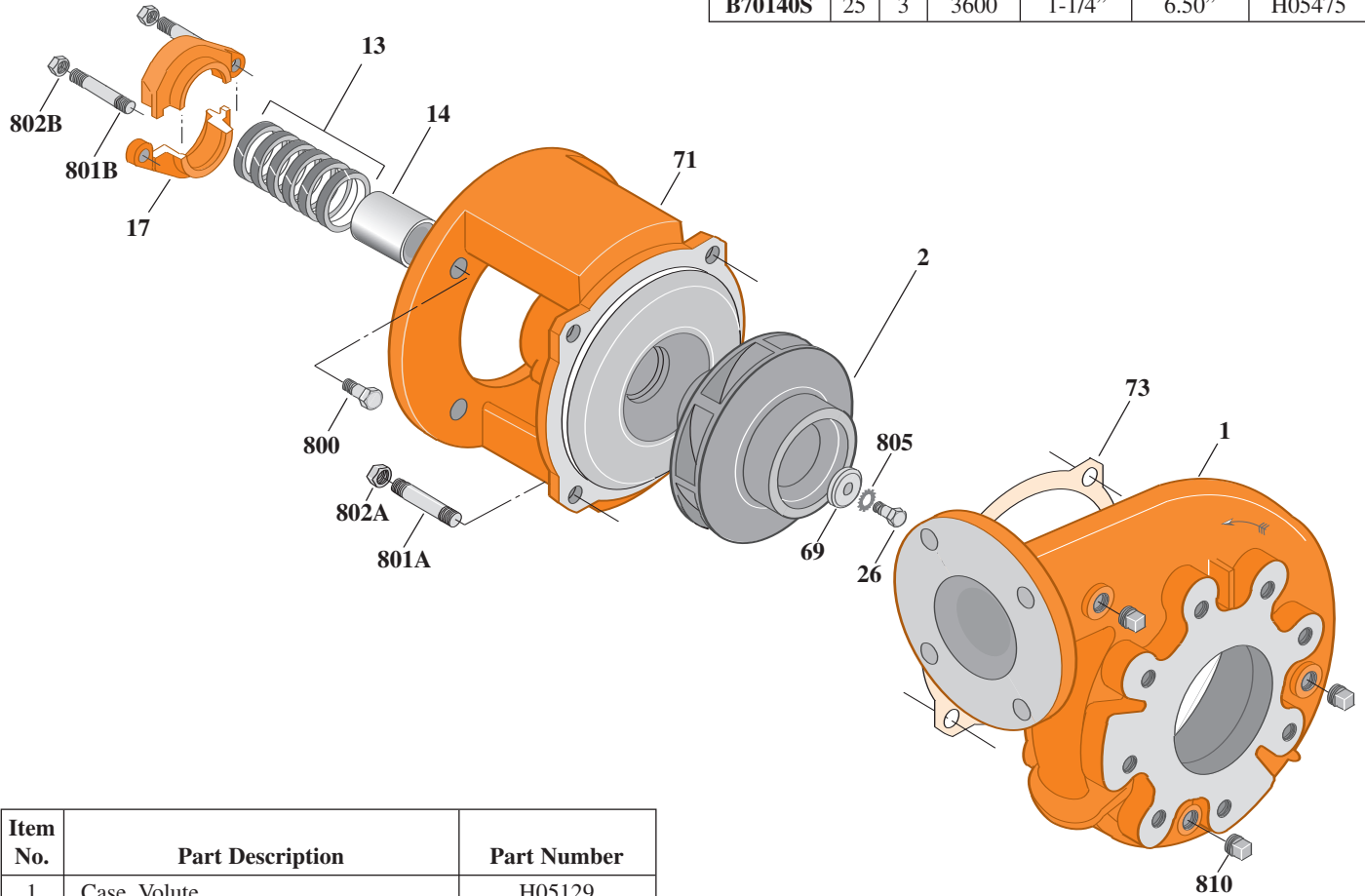
B3TPH

Flanged Case

Packing Construction

TABLE I

B/M No.	HP	PH	RPM	"U" Dim.	Imp. Dia.	Imp. No.
B70140S	25	3	3600	1-1/4"	6.50"	H05475



1704 0505

Item No.	Part Description	Part Number
1	Case, Volute	H05129
2	Impeller	See Table I
13	Rings, Packing (Set of 6)	S13470
14	Sleeve, Shaft	S05149
17	Gland, Packing	S12034
26	Screw, Impeller 1/2 - 13 x 1"	S23619
32	Key, 1/4 x 2-1/4" (See Note)	S23677
69	Washer, Impeller	S06319
71	Bracket	See Table II
73	Gasket, Volute	S04757
800	Capscrew, 1/2 - 13 x 1" (4 Req.)	S26912
801A	Stud, 1/2 - 13 x 1-1/2" (4 Req.)	S24043
801B	Stud, 3/8 - 16 x 3-1/2" (2 Req.)	S04441
802A	Nut, Hex 1/2 - 13 (4 Req.)	S23017
802B	Nut, Hex 3/8 - 16 (2 Req.)	S23343
805	Washer, Lock	S23038
810	Plug, Pipe 1/4" NPT (3 Req.)	S23715

TABLE II

HP	PH	Bracket No.	"AK" Fit	"U" Dim.	Motor Frame
25	3	L01951	8-1/2"	1-1/4"	256JP

NOTE: For an explanation of the tabulated material found on this page and for impeller key location, refer to *Supplement A* located at the beginning of this section.



TYPE "B" SINGLE STAGE CENTRIFUGAL PUMP Electric Motor Drive

Section	CC
Page	170.13
Date	September 1, 1997
Supersedes/New	

SILICON BRONZE IMPELLER

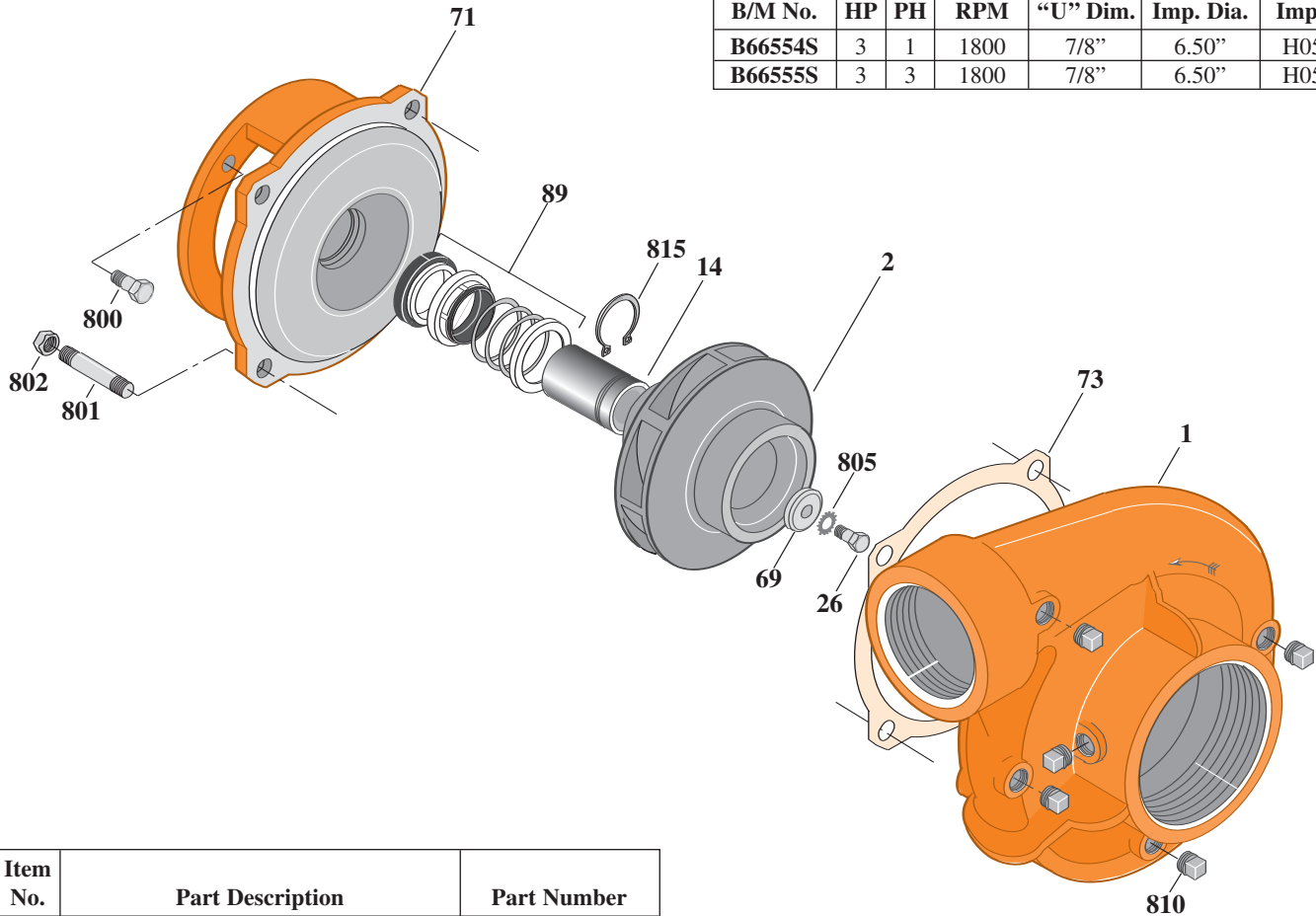
B3TPHS

Threaded Case (NPT)

Mechanical Shaft Seal Construction

TABLE I

B/M No.	HP	PH	RPM	"U" Dim.	Imp. Dia.	Imp. No.
B66554S	3	1	1800	7/8"	6.50"	H05474
B66555S	3	3	1800	7/8"	6.50"	H05474



1481 0195

Item No.	Part Description	Part Number
1	Case, Volute	L01104
2	Impeller	See Table I
14	Sleeve, Shaft	S19310
26	Screw, Impeller 3/8 - 16 x 1"	S23566
32	Key, 3/16 x 1-1/4" (See Note)	S34383
69	Washer, Impeller	S06314
71	Bracket	See Table II
73	Gasket, Volute	S04757
89	Seal, Mechanical Shaft	S32014
800	Capscrew, 3/8 - 16 x 1" (4 Req.)	S26826
801	Stud, 1/2 - 13 x 1-1/2" (4 Req.)	S24043
802	Nut, 1/2 - 13 (4 Req.)	S23107
805	Washer, Lock	S23036
810	Plug, Pipe 1/4" NPT (5 Req.)	S23715
815	Ring, Retaining	S11207
•	Plug, Pipe 1/8" NPT (In Bracket)	S23714

• Not illustrated.

TABLE II

HP	PH	Bracket No.	"AK" Fit	"U" Dim.	Motor Frame
3	1	L05329	4-1/2"	7/8"	184JM
3	3	L05329	4-1/2"	7/8"	182JM

NOTE: For an explanation of the tabulated material found on this page and for impeller key location, refer to *Supplement A* located at the beginning of this section.

NOTE: For seal flush line details, see *Supplement D*.



TYPE "B" SINGLE STAGE CENTRIFUGAL PUMP Electric Motor Drive

Section	CC
Page	170.14
Date	September 1, 1997
Supersedes/New	

SILICON BRONZE IMPELLER

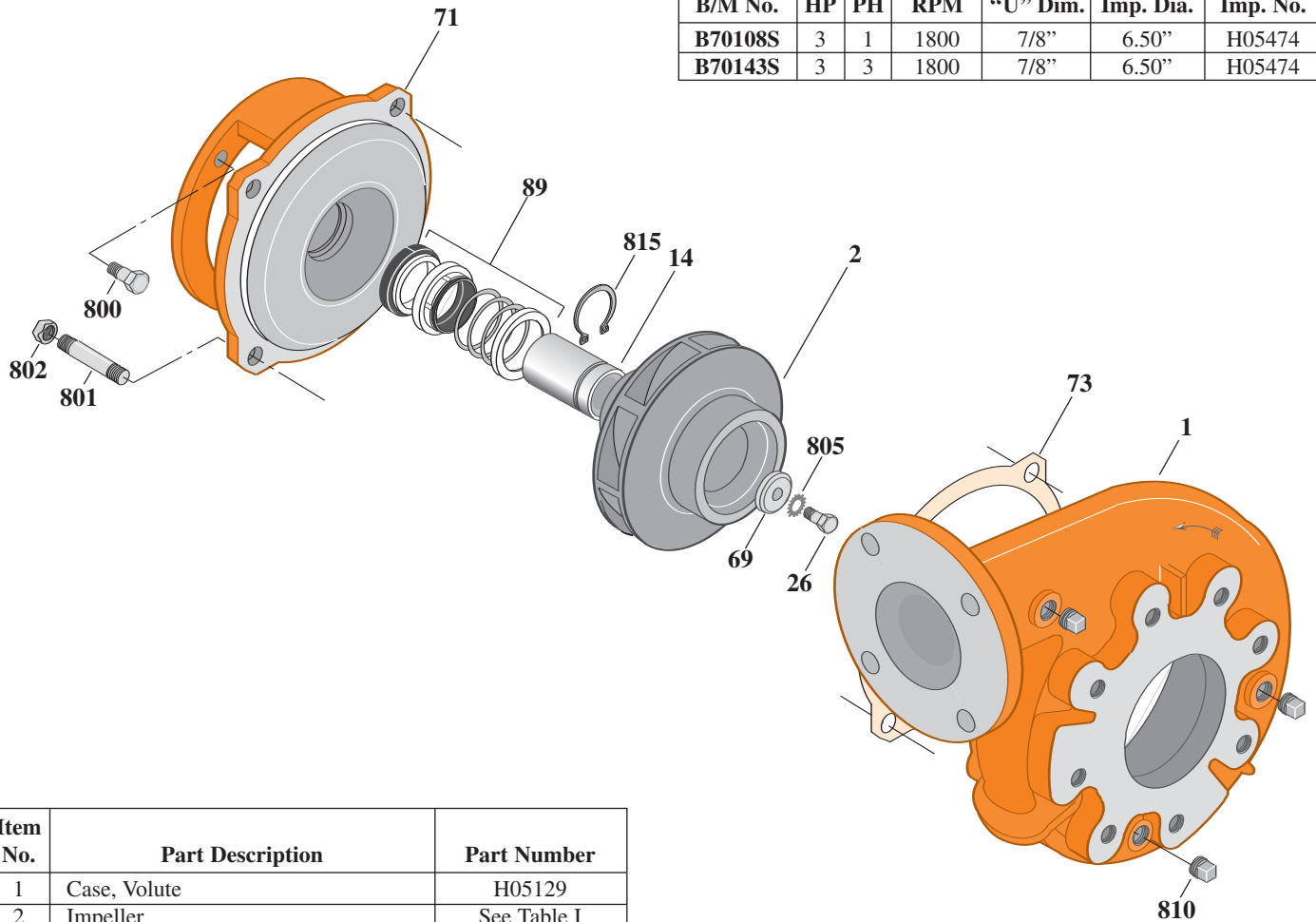
B3TPHS

Flanged Case

Mechanical Shaft Seal Construction

TABLE I

B/M No.	HP	PH	RPM	"U" Dim.	Imp. Dia.	Imp. No.
B70108S	3	1	1800	7/8"	6.50"	H05474
B70143S	3	3	1800	7/8"	6.50"	H05474



1482 0195

Item No.	Part Description	Part Number
1	Case, Volute	H05129
2	Impeller	See Table I
14	Sleeve, Shaft	S19310
26	Screw, Impeller 3/8 - 16 x 1"	S23566
32	Key, 3/16 x 1-1/4" (See Note)	S34383
69	Washer, Impeller	S06314
71	Bracket	See Table II
73	Gasket, Volute	S04757
89	Seal, Mechanical Shaft	S32014
800	Capscrew, 3/8 - 16 x 1" (4 Req.)	S26826
801	Stud, 1/2 - 13 x 1-1/2" (4 Req.)	S24043
802	Nut, 1/2 - 13 (4 Req.)	S23107
805	Washer, Lock	S23036
810	Plug, Pipe 1/4" NPT (3 Req.)	S23715
815	Ring, Retaining	S11207
•	Plug, Pipe 1/8" NPT (In Bracket)	S23714

TABLE II

HP	PH	Bracket No.	"AK" Fit	"U" Dim.	Motor Frame
3	1	L05329	4-1/2"	7/8"	184JM
3	3	L05329	4-1/2"	7/8"	182JM

NOTE: For an explanation of the tabulated material found on this page and for impeller key location, refer to *Supplement A* located at the beginning of this section.

NOTE: For seal flush line details, see *Supplement D*.

• Not illustrated.



TYPE "B" SINGLE STAGE CENTRIFUGAL PUMP Electric Motor Drive

Section	CC
Page	170.15
Date	September 1, 1997
Supersedes/New	

SILICON BRONZE IMPELLER

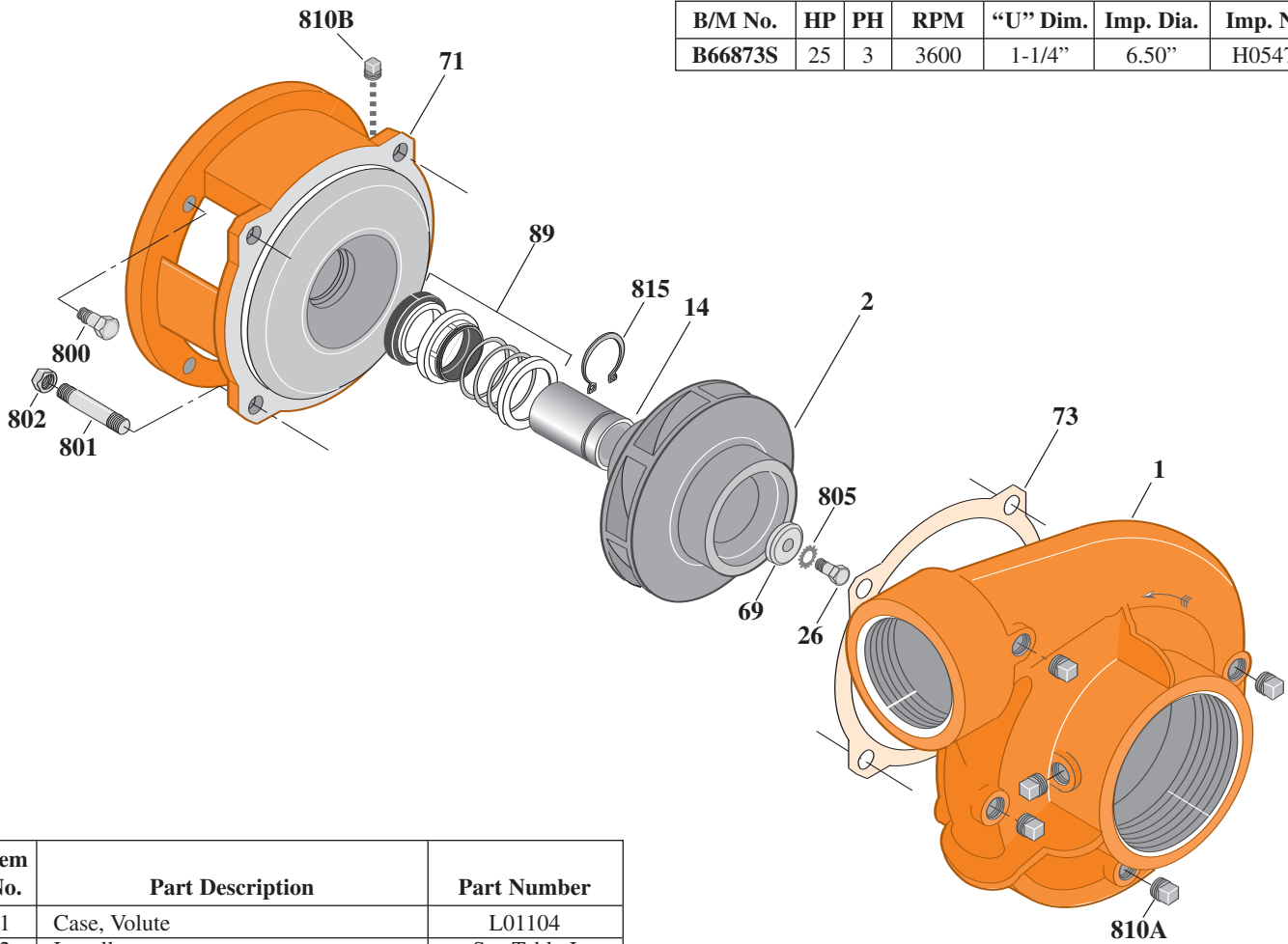
B3TPHS

Threaded Case (NPT)

Mechanical Shaft Seal Construction

TABLE I

B/M No.	HP	PH	RPM	"U" Dim.	Imp. Dia.	Imp. No.
B66873S	25	3	3600	1-1/4"	6.50"	H05475



Item No.	Part Description	Part Number
1	Case, Volute	L01104
2	Impeller	See Table I
14	Sleeve, Shaft	S18869
26	Screw, Impeller 1/2 - 13 x 1"	S23619
32	Key, 1/4 x 2-1/4" (See Note)	S23677
69	Washer, Impeller	S06319
71	Bracket	See Table II
73	Gasket, Volute	S04757
89	Seal, Mechanical Shaft	S32015
800	Capscrew, 1/2 - 13 x 1" (4 Req.)	S26912
801	Stud, 1/2 - 13 x 1-1/2" (4 Req.)	S24043
802	Nut, 1/2 - 13 (4 Req.)	S23107
805	Washer, Lock	S23038
810A	Plug, Pipe 1/4" NPT (5 Req.)	S23715
810B	Plug, Pipe 1/8" NPT (In Bracket)	S23714
815	Ring, Retaining	S16767

TABLE II

HP	PH	Bracket No.	"AK" Fit	"U" Dim.	Motor Frame
25	3	L05779	8-1/2"	1-1/4"	256JM

NOTE: For an explanation of the tabulated material found on this page and for impeller key location, refer to *Supplement A* located at the beginning of this section.

NOTE: For seal flush line details, see *Supplement D*.

• Not illustrated.



TYPE "B" SINGLE STAGE CENTRIFUGAL PUMP Electric Motor Drive

Section	CC
Page	170.16
Date	September 1, 1997
Supersedes/New	

SILICON BRONZE IMPELLER

B3TPHS

Flanged Case

Mechanical Shaft Seal Construction

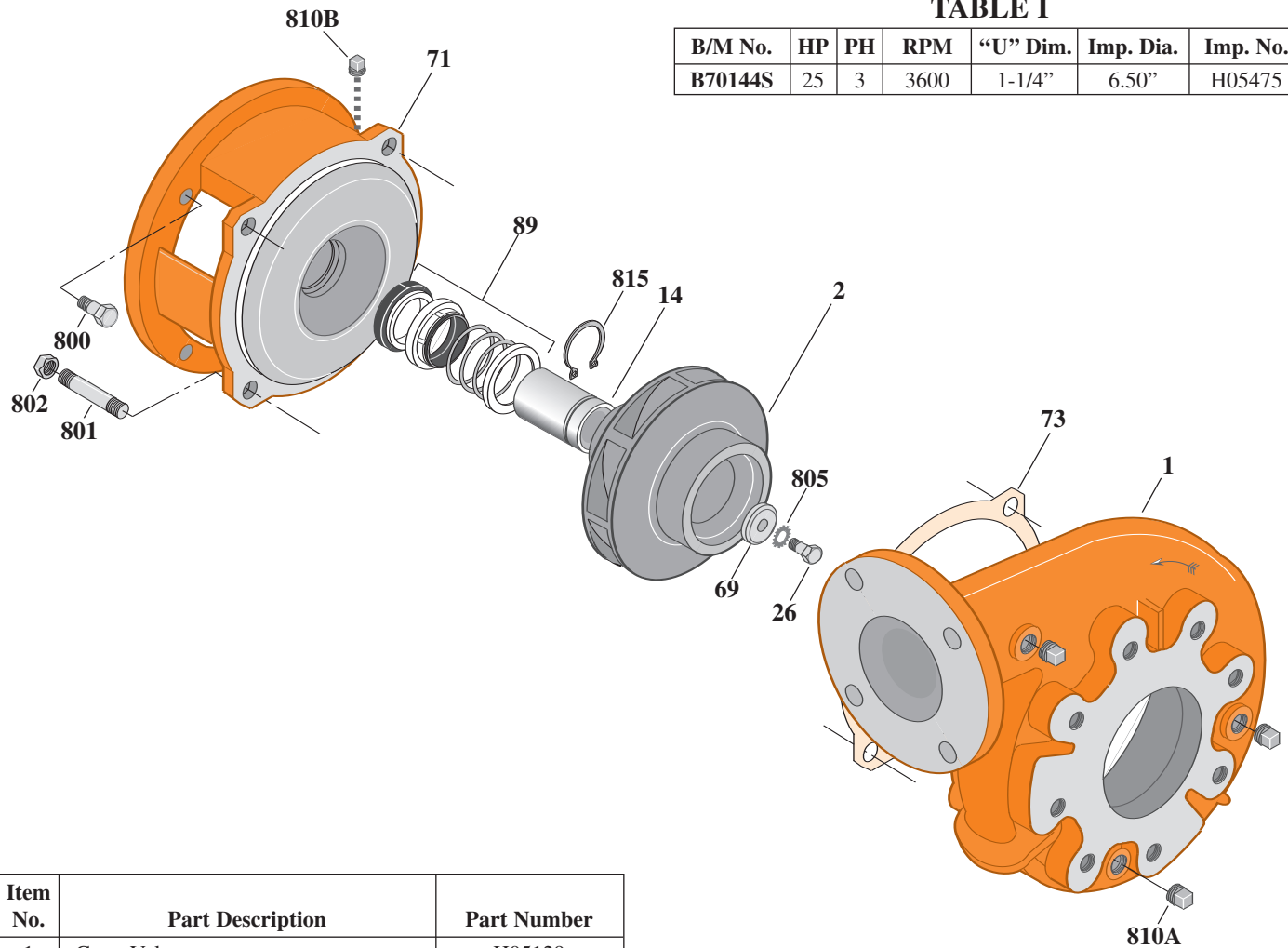


TABLE I

B/M No.	HP	PH	RPM	"U" Dim.	Imp. Dia.	Imp. No.
B70144S	25	3	3600	1-1/4"	6.50"	H05475

Item No.	Part Description	Part Number
1	Case, Volute	H05129
2	Impeller	See Table I
14	Sleeve, Shaft	S18869
26	Screw, Impeller 1/2 - 13 x 1"	S23619
32	Key, 1/4 x 2-1/4" (See Note)	S23677
69	Washer, Impeller	S06319
71	Bracket	See Table II
73	Gasket, Volute	S04757
89	Seal, Mechanical Shaft	S32015
800	Capscrew, 1/2 - 13 x 1" (4 Req.)	S26912
801	Stud, 1/2 - 13 x 1-1/2" (4 Req.)	S24043
802	Nut, 1/2 - 13 (4 Req.)	S23107
805	Washer, Lock	S23038
810A	Plug, Pipe 1/4" NPT (3 Req.)	S23715
810B	Plug, Pipe 1/8" NPT (In Bracket)	S23714
815	Ring, Retaining	S16767

TABLE II

HP	PH	Bracket No.	"AK" Fit	"U" Dim.	Motor Frame
25	3	L05779	8-1/2"	1-1/4"	256JM

NOTE: For an explanation of the tabulated material found on this page and for impeller key location, refer to *Supplement A* located at the beginning of this section.

NOTE: For seal flush line details, see *Supplement D*.