

BALDOR® • RELIANCE 

Product Information Packet

L1313T

1.5HP,3450RPM,1PH,60HZ,143T,3520L,OPEN

Part Detail							
Revision:	R	Status:	PRD/A	Change #:		Proprietary:	No
Type:	AC	Elec. Spec:	35WGX958	CD Diagram:	CD0001	Mfg Plant:	
Mech. Spec:	35T876	Layout:	35LYT876	Poles:	02	Created Date:	06-22-2007
Base:	RG	Eff. Date:	06-04-2018	Leads:	4#16 A PH,2#18 B PH		

Specs			
Catalog Number:	L1313T	Insulation Class:	B
Enclosure:	OPEN	Inverter Code:	Not Inverter
Frame:	143T	KVA Code:	J
Frame Material:	Steel	Lifting Lugs:	No Lifting Lugs
Output @ Frequency:	1.500 HP @ 60 HZ	Locked Bearing Indicator:	No Locked Bearing
Synchronous Speed @ Frequency:	3600 RPM @ 60 HZ	Motor Lead Quantity/Wire Size:	4 @ 16 AWG, A PH
Voltage @ Frequency:	230.0 V @ 60 HZ	Motor Lead Exit:	Ko Box
	115.0 V @ 60 HZ	Motor Lead Termination:	Flying Leads
XP Class and Group:	None	Motor Type:	3520L
XP Division:	Not Applicable	Mounting Arrangement:	F1
Agency Approvals:	CSA	Power Factor:	78
	UR	Product Family:	General Purpose
Auxillary Box:	No Auxillary Box	Pulley End Bearing Type:	Ball
Auxillary Box Lead Termination:	None	Pulley Face Code:	Standard
Base Indicator:	Rigid	Pulley Shaft Indicator:	Standard
Bearing Grease Type:	Polyrex EM (-20F +300F)	Rodent Screen:	None
Blower:	None	RoHS Status:	ROHS COMPLIANT
Current @ Voltage:	17.800 A @ 115.0 V	Shaft Extension Location:	Pulley End

	8.900 A @ 230.0 V	Shaft Ground Indicator:	No Shaft Grounding
	9.300 A @ 208.0 V	Shaft Rotation:	Reversible
Design Code:	L	Shaft Slinger Indicator:	No Slinger
Drip Cover:	No Drip Cover	Speed Code:	Single Speed
Duty Rating:	CONT	Motor Standards:	NEMA
Electrically Isolated Bearing:	Not Electrically Isolated	Starting Method:	Direct on line
Feedback Device:	NO FEEDBACK	Thermal Device - Bearing:	NONE (OLD)
Front Face Code:	Standard	Thermal Device - Winding:	None
Front Shaft Indicator:	None	Vibration Sensor Indicator:	No Vibration Sensor
Heater Indicator:	No Heater	Winding Thermal 1:	None
		Winding Thermal 2:	None

Nameplate NP1256L										
CAT.NO.	L1313T									
SPEC.	35T876X958									
HP	1.5									
VOLTS	115/230									
AMP	17.8/8.9									
RPM	3450									
FRAME	143T				HZ	60			PH	1
SER.F.	1.15		CODE	J	DES	L		CLASS	B	
NEMA-NOM-EFF	70		PF	78						
RATING	40C AMB-CONT									
CC								USABLE AT 208V	9.3	
DE	6205				ODE	6203				
ENCL	OPEN		SN							

Parts List		
Part Number	Description	Quantity
SA107732	SA 35T876X958	1.000 EA
RA099334	RA 35T876X958	1.000 EA
EC1645A06SP	ELEC CAP, 645-774 MFD, 125V, 2.06D X 4.	1.000 EA
NS2512A01	INSULATOR, CONDUIT BOX X	1.000 EA
35CB3007	35 CB CASTING W/.88 DIA. LEAD HOLE	1.000 EA
51XB1016A07	10-16 X 7/16 HXWSSLD SERTYB	2.000 EA
11XW1032G06	10-32 X .38, TAPTITE II, HEX WSHR SLTD U	1.000 EA
35EP3209A00	MASTER ODE,203 BRG,GRSR	1.000 EA
HW4500A01	1641B(ALEMITE)400 UNIV, GREASE FITT	1.000 EA
SP1006A01	TERM. BOARD, MODE 35 SW X H-23655	1.000 EA
51XW0832A07	8-32 X .44, TAPTITE II, HEX WSHR SLTD SE	2.000 EA
51XB1016A05	10-16X5/16HX WA SL SR TYB (F/S)	2.000 EA
HW5100A03	WAVY WASHER (W1543-017)	1.000 EA
35EP3210A00	MASTER DE,205 BRG,1.000SH,GRSR	1.000 EA
HW4500A01	1641B(ALEMITE)400 UNIV, GREASE FITT	1.000 EA
XY1032A02	10-32 HEX NUT DIRECTIONAL SERRATION	4.000 EA
35CB4521	35 LIPPED CB LID (GALV & PHOSPH)	1.000 EA
51XW0832A07	8-32 X .44, TAPTITE II, HEX WSHR SLTD SE	4.000 EA
HW2501D13	KEY, 3/16 SQ X 1.375	1.000 EA
HA7000A01	KEY RETAINER 7/8" DIA SHAFT	1.000 EA
85XU0407S04	4X1/4 U DRIVE PIN STAINLESS	2.000 EA
WD1000A16	2-520128-2 AMP FLAG TERMINAL(4M/RL)	2.000 EA
MJ1000A02	GREASE, POLYREX EM EXXON (USe 4824-15A)	0.050 LB
MG1000G27	MED CHARCOAL METALLIC GREY 400-0096	0.017 GA

Parts List (continued)		
Part Number	Description	Quantity
SP5055A67	MODEL 35 TYPE L STATIONARY SWITCH	1.000 EA
HA3100A15	THRUBOLT 10-32 X 8.375	4.000 EA
35CB4802A02SP	CAPACITOR COVER, STAMPED X	1.000 EA
LC0001A01	CONN LABEL / WARNING LABEL (LC0001 / LB1	1.000 EA
NP1256L	ALUM UL CSA CC INDUSTRIAL MOTOR A60	1.000 EA
35PA1066	PKG GRP, PRINT PK1008A06	1.000 EA
FE-0000001	ZRTG FE ASSEMBLY	1.000 EA
PE-0000001	ZRTG PE ASSEMBLY	1.000 EA
MN416A01	TAG-INSTAL-MAINT no wire (1200/bx) 5/18	1.000 EA

Accessories		
Part Number	Description	Multiplier
35-8764	C FACE KIT	A8
35EP1604A01SP	D-FLANGE KIT	A8

AC Induction Motor Performance Data

Record # 10112 - Typical performance - not guaranteed values

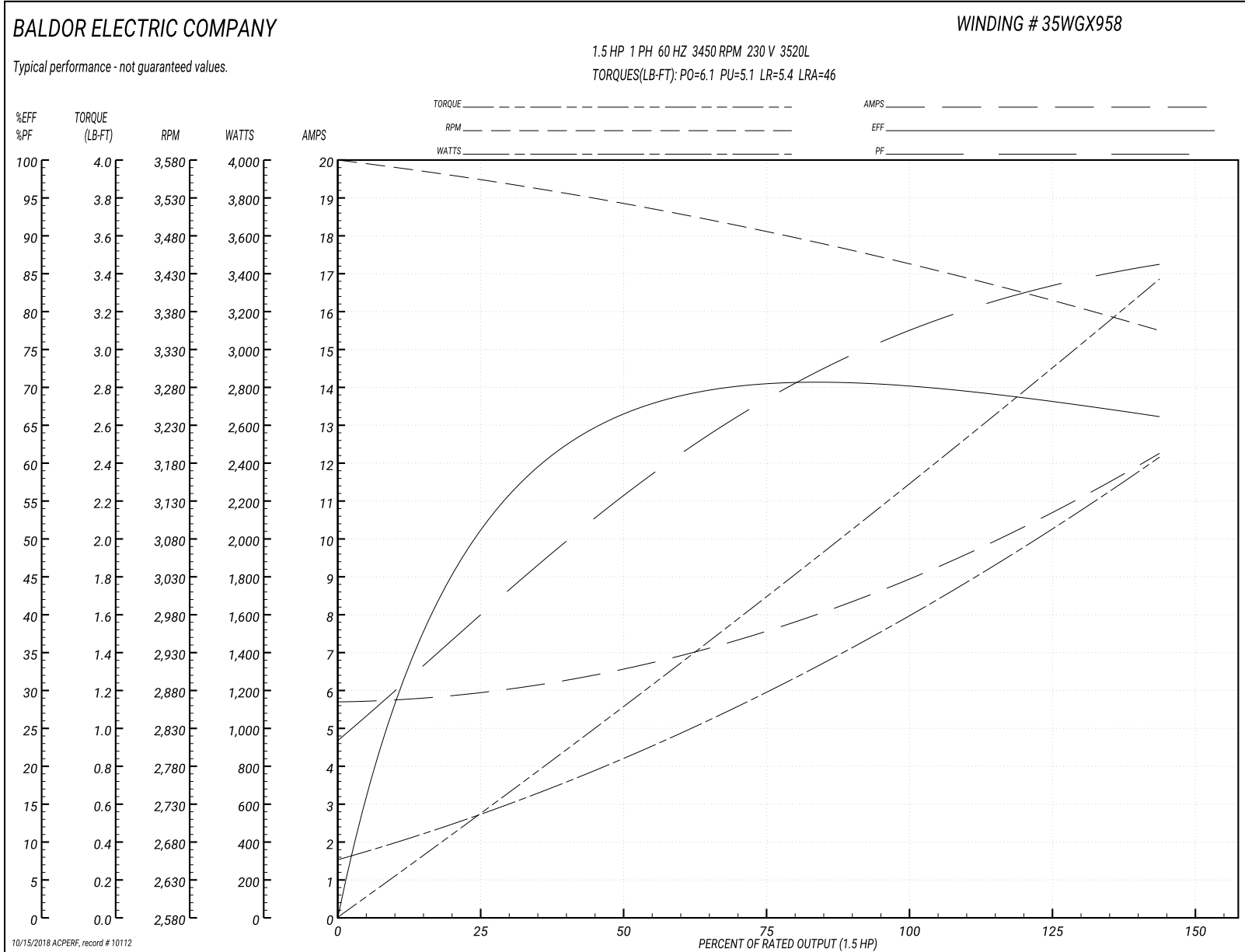
Winding: 35WGX958-R001	Type: 3520L	Enclosure: OPEN
-------------------------------	--------------------	------------------------

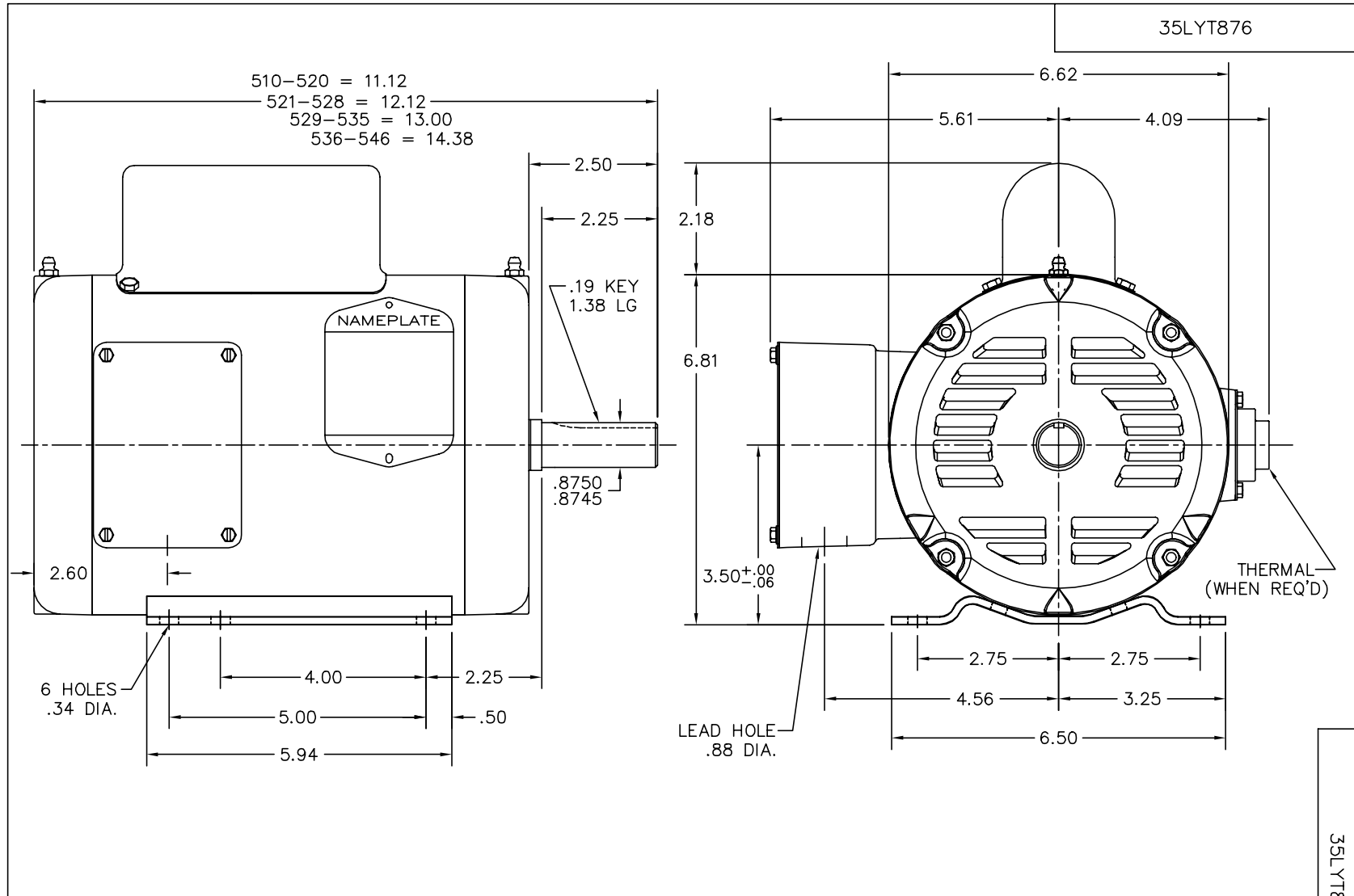
Nameplate Data				230 V, 60 Hz: High Voltage Connection	
Rated Output (HP)	1.5			Full Load Torque	2.25 LB-FT
Volts	115/230			Start Configuration	direct on line
Full Load Amps	17.8/8.9			Breakdown Torque	6.1 LB-FT
R.P.M.	3450			Pull-up Torque	5.1 LB-FT
Hz	60	Phase	1	Locked-rotor Torque	5.4 LB-FT
NEMA Design Code	L	KVA Code	J	Starting Current	46 A
Service Factor (S.F.)	1.15			No-load Current	5.7 A
NEMA Nom. Eff.	70	Power Factor	78	Line-line Res. @ 25°C	1.49 Ω A Ph 1.33 Ω B Ph
Rating - Duty	40C AMB-CONT			Temp. Rise @ Rated Load	63°C

Load Characteristics 230 V, 60 Hz, 1.5 HP

% of Rated Load	25	50	75	100	125	150	S.F.
Power Factor	38	57	69	77	82	87	80
Efficiency	53.5	66	70	70	69	66	70
Speed	3555	3520	3485	3450	3400	3355	3425
Line amperes	6	6.5	7.5	8.9	10.5	12.2	9.8

Performance Graph at 230V, 60Hz, 1.5HP Typical performance - Not guaranteed values





CUSTOMER IS RESPONSIBLE FOR DETERMINING THAT BALDOR'S PRODUCT WILL PERFORM SUITABLY IN THE INTENDED APPLICATION.

REV. DESC: REPLACE ENDPLATES		
REV. LTR: A	VERSION: 01	TDR: 000001041474
FILE: \AAA\00110\562	REVISED: 02:58:09 08/31/2017	BY: USJOBUR22
MTL: -	⊙ ⊐	

BALDOR

STD HORZ 143-5T OPEN 35L 2 POLE "W" BASE (35BA4009)

SH 1 of 1

35LYT876

CD0001



REV. DESC: REVISE TO SHOW OPTIONAL COLORS			
REV. LTR: D	BY: JLP	REVISED: 04/08/99 1:16	TDR: 0178636
100000		FILE: AAA00007405	MDL: -
		MTL: -	

BALDOR ELECTRIC Co.

TYPE L, DV, REV, 6 LEADS

CD0001