

BALDOR® • RELIANCE 

Product Information Packet

L1322T

2HP,1725RPM,1PH,60HZ,145T,3532LC,OPEN,F1

Part Detail							
Revision:	L	Status:	PRD/A	Change #:		Proprietary:	No
Type:	AC	Elec. Spec:	35WGX966	CD Diagram:	CD0016A01	Mfg Plant:	
Mech. Spec:	35EE002	Layout:	35LYEE002	Poles:	04	Created Date:	12-22-2009
Base:	RG	Eff. Date:	08-21-2017	Leads:	4#14 A PH,3#18 B PH		

Specs			
Catalog Number:	L1322T	Heater Indicator:	No Heater
Enclosure:	OPEN	Insulation Class:	F
Frame:	145T	Inverter Code:	Not Inverter
Frame Material:	Steel	KVA Code:	J
Output @ Frequency:	2.000 HP @ 60 HZ	Lifting Lugs:	No Lifting Lugs
Synchronous Speed @ Frequency:	1800 RPM @ 60 HZ	Locked Bearing Indicator:	No Locked Bearing
Voltage @ Frequency:	115.0 V @ 60 HZ	Motor Lead Quantity/Wire Size:	4 @ 14 AWG, A PH
	208.0 V @ 60 HZ	Motor Lead Exit:	Ko Box
	230.0 V @ 60 HZ	Motor Lead Termination:	Flying Leads
XP Class and Group:	None	Motor Type:	3532LC
XP Division:	Not Applicable	Mounting Arrangement:	F1
Agency Approvals:	UR	Power Factor:	85
	CSA	Product Family:	General Purpose
Auxillary Box:	No Auxillary Box	Pulley End Bearing Type:	Ball
Auxillary Box Lead Termination:	None	Pulley Face Code:	Standard
Base Indicator:	Rigid	Pulley Shaft Indicator:	Standard
Bearing Grease Type:	Polyrex EM (-20F +300F)	Rodent Screen:	None
Blower:	None	Shaft Extension Location:	Pulley End

Current @ Voltage:	10.200 A @ 230.0 V	Shaft Ground Indicator:	No Shaft Grounding
	10.300 A @ 208.0 V	Shaft Rotation:	Reversible
	20.400 A @ 115.0 V	Shaft Slinger Indicator:	No Slinger
Design Code:	L	Speed Code:	Single Speed
Drip Cover:	No Drip Cover	Motor Standards:	NEMA
Duty Rating:	CONT	Starting Method:	Direct on line
Electrically Isolated Bearing:	Not Electrically Isolated	Thermal Device - Bearing:	None
Feedback Device:	NO FEEDBACK	Thermal Device - Winding:	None
Front Face Code:	Standard	Vibration Sensor Indicator:	No Vibration Sensor
Front Shaft Indicator:	None	Winding Thermal 1:	None
		Winding Thermal 2:	None

Nameplate NP1256L										
CAT.NO.	L1322T									
SPEC.	35EE002X966									
HP	2									
VOLTS	115/208-230									
AMP	20.4/10.3-10.2									
RPM	1725									
FRAME	145T				HZ	60			PH	1
SER.F.	1.15		CODE	J	DES	L		CLASS	F	
NEMA-NOM-EFF	75.5		PF	85						
RATING	40C AMB-CONT									
CC									USABLE AT 208V	
DE	6205				ODE	6203				
ENCL	OPEN		SN							

Parts List		
Part Number	Description	Quantity
SA189065	SA 35EE002X966	1.000 EA
RA176784	RA 35EE002X966	1.000 EA
OC3015F12SP	CYL OIL CAP 15MFD/370V	1.000 EA
EC1850A06SP	ELEC CAP 115V 2.0 X 4.3 X	1.000 EA
NS2512A01	INSULATOR, CONDUIT BOX X	1.000 EA
35CB3009	35 CB W/1.09 DIA. LEAD HOLE @ 6:	1.000 EA
51XB1016A07	10-16 X 7/16 HXWSSLD SERTYB	2.000 EA
11XW1032G06	10-32 X .38, TAPTITE II, HEX WSHR SLTD U	1.000 EA
35EP3209A00	MASTER ODE,203 BRG,GRSR	1.000 EA
HW4500A01	1641B(ALEMITE)400 UNIV, GREASE FITT	1.000 EA
51XW0832A07	8-32 X .44, TAPTITE II, HEX WSHR SLTD SE	2.000 EA
35CB3801	CAPACITOR COVER, CAST	1.000 EA
HA7010	CAPACITOR RETENTION CLAMP	1.000 EA
NS2501A02	INSULATOR, CAPACITOR BOX	1.000 EA
51XB1016A08	10-16X 1/2HXWSSLD SERTYB	2.000 EA
HW5100A03	WAVY WASHER (W1543-017)	1.000 EA
35EP3210A00	MASTER DE,205 BRG,1.000SH,GRSR	1.000 EA
HW4500A01	1641B(ALEMITE)400 UNIV, GREASE FITT	1.000 EA
XY1032A02	10-32 HEX NUT DIRECTIONAL SERRATION	4.000 EA
35CB4521	35 LIPPED CB LID (GALV & PHOSPH)	1.000 EA
51XW0832A07	8-32 X .44, TAPTITE II, HEX WSHR SLTD SE	4.000 EA
HW2501D13	KEY, 3/16 SQ X 1.375	1.000 EA
HA7000A01	KEY RETAINER 7/8" DIA SHAFT	1.000 EA
85XU0407S04	4X1/4 U DRIVE PIN STAINLESS	2.000 EA

Parts List (continued)		
Part Number	Description	Quantity
MJ1000A02	GREASE, POLYREX EM EXXON (USe 4824-15A)	0.050 LB
MG1000G27	MED CHARCOAL METALLIC GREY 400-0096	0.017 GA
WD1000A15	3-520132-2 AMP FLAG (4M/RL NON-CANC/NON-	4.000 EA
HA3100A22	THRUBOLT 10-32 X 10.125	4.000 EA
34GS5003	OAM SLEEVE, ID = 2 1/16" X 3 3/8"	2.000 EA
SP5181A03	MODEL 35 LC TORQ STAT SWITCH LEAD ASSY	1.000 EA
LB1119N	WARNING LABEL	1.000 EA
LC0016	CONNECTION LABEL	1.000 EA
MN416A01	TAG-INSTAL-MAINT no wire (1200/bx) 5/18	1.000 EA
NP1256L	ALUM UL CSA CC INDUSTRIAL MOTOR A60	1.000 EA
36PA1000	PKG GRP, PRINT PK1016A06	1.000 EA
PE-0000001	ZRTG PE ASSEMBLY	1.000 EA
FE-0000001	ZRTG FE ASSEMBLY	1.000 EA

Accessories		
Part Number	Description	Multiplier
35-8764	C FACE KIT	A8
35EP1604A01SP	D-FLANGE KIT	A8

AC Induction Motor Performance Data

Record # 61956 - Typical performance - not guaranteed values

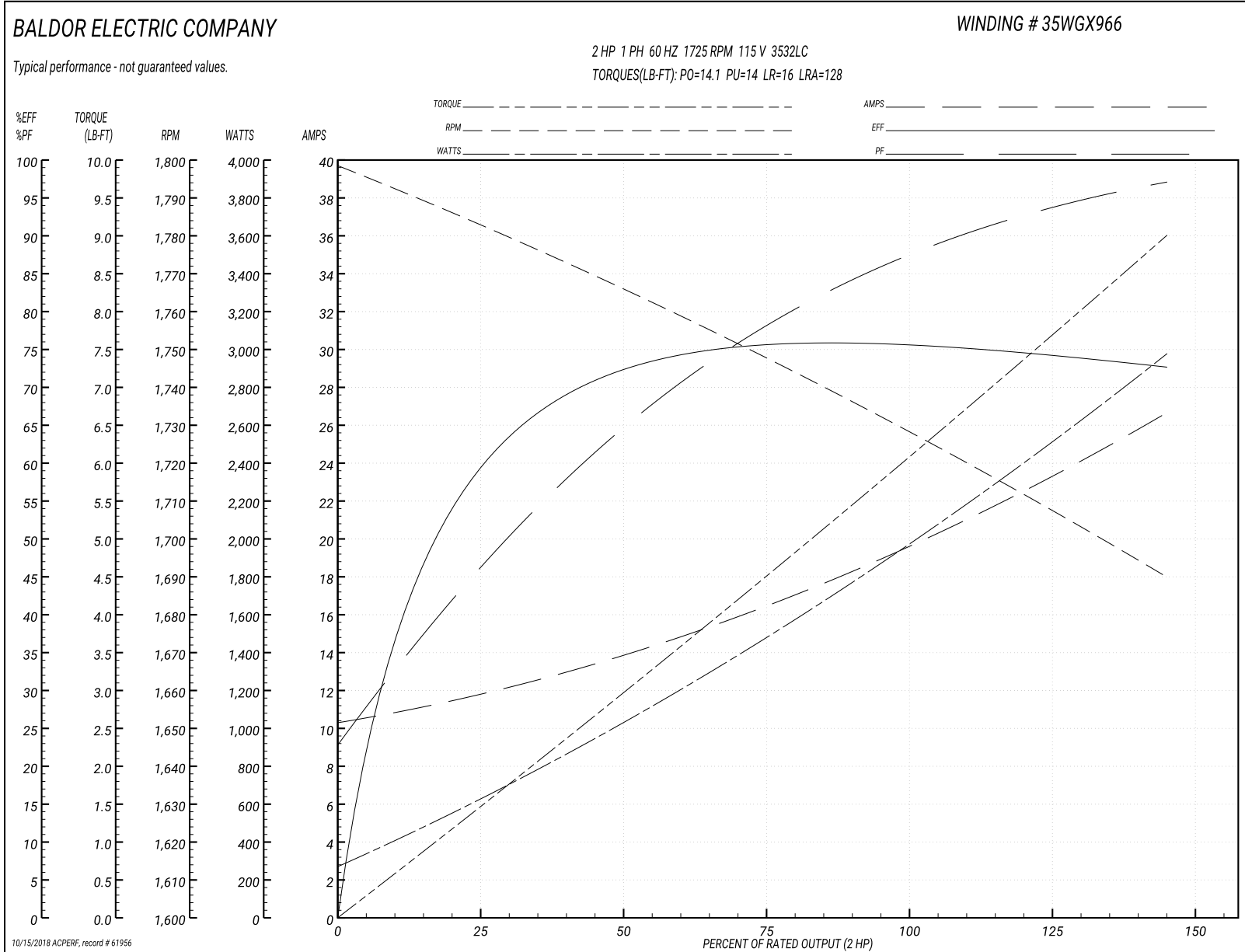
Winding: 35WGX966-R008	Type: 3532LC	Enclosure: OPEN
-------------------------------	---------------------	------------------------

Nameplate Data				115 V, 60 Hz: Low Voltage Connection	
Rated Output (HP)	2			Full Load Torque	6 LB-FT
Volts	115/208-230			Start Configuration	direct on line
Full Load Amps	20.4/10.3-10.2			Breakdown Torque	14.1 LB-FT
R.P.M.	1725			Pull-up Torque	14 LB-FT
Hz	60	Phase	1	Locked-rotor Torque	16 LB-FT
NEMA Design Code	L	KVA Code	J	Starting Current	128 A
Service Factor (S.F.)	1.15			No-load Current	10.8 A
NEMA Nom. Eff.	75.5	Power Factor	85	Line-line Res. @ 25°C	0.34 Ω A Ph 1.11 Ω B Ph
Rating - Duty	40C AMB-CONT			Temp. Rise @ Rated Load	68°C
S.F. Amps				Temp. Rise @ S.F. Load	80°C
				Locked-rotor Power Factor	90.1
				Rotor inertia	0.19 LB-FT ²

Load Characteristics 115 V, 60 Hz, 2 HP

% of Rated Load	25	50	75	100	125	150	S.F.
Power Factor	50	67	79	85	89	100	87
Efficiency	58	73	75.8	75.9	74.2	72.7	74.9
Speed	1782	1767	1750	1729	1705	1693	1715
Line amperes	11.4	13.4	16.2	19.8	24	25.8	22.3

Performance Graph at 115V, 60Hz, 2.0HP Typical performance - Not guaranteed values



AC Induction Motor Performance Data

Record # 68038 - Typical performance - not guaranteed values

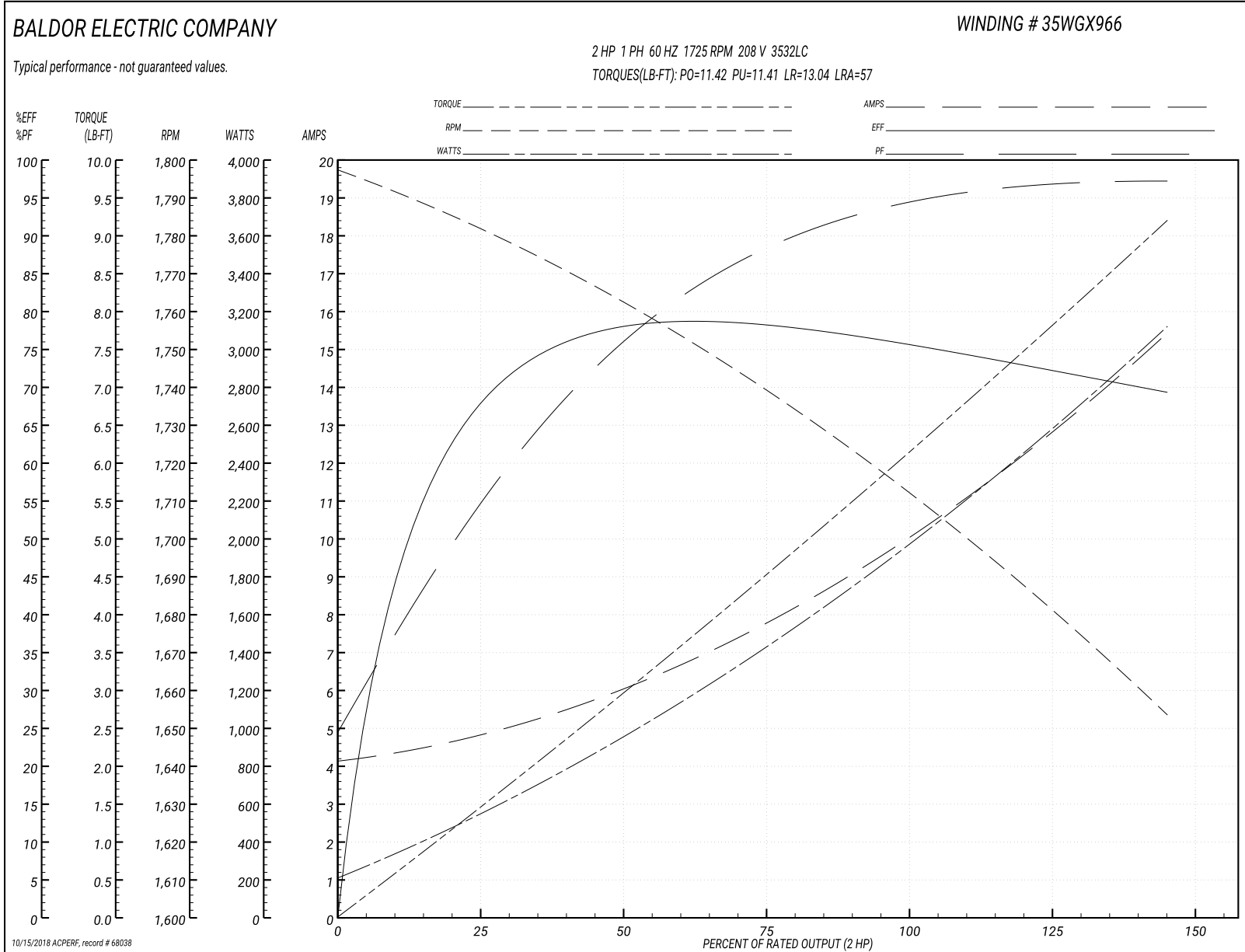
Winding: 35WGX966-R008	Type: 3532LC	Enclosure: OPEN
-------------------------------	---------------------	------------------------

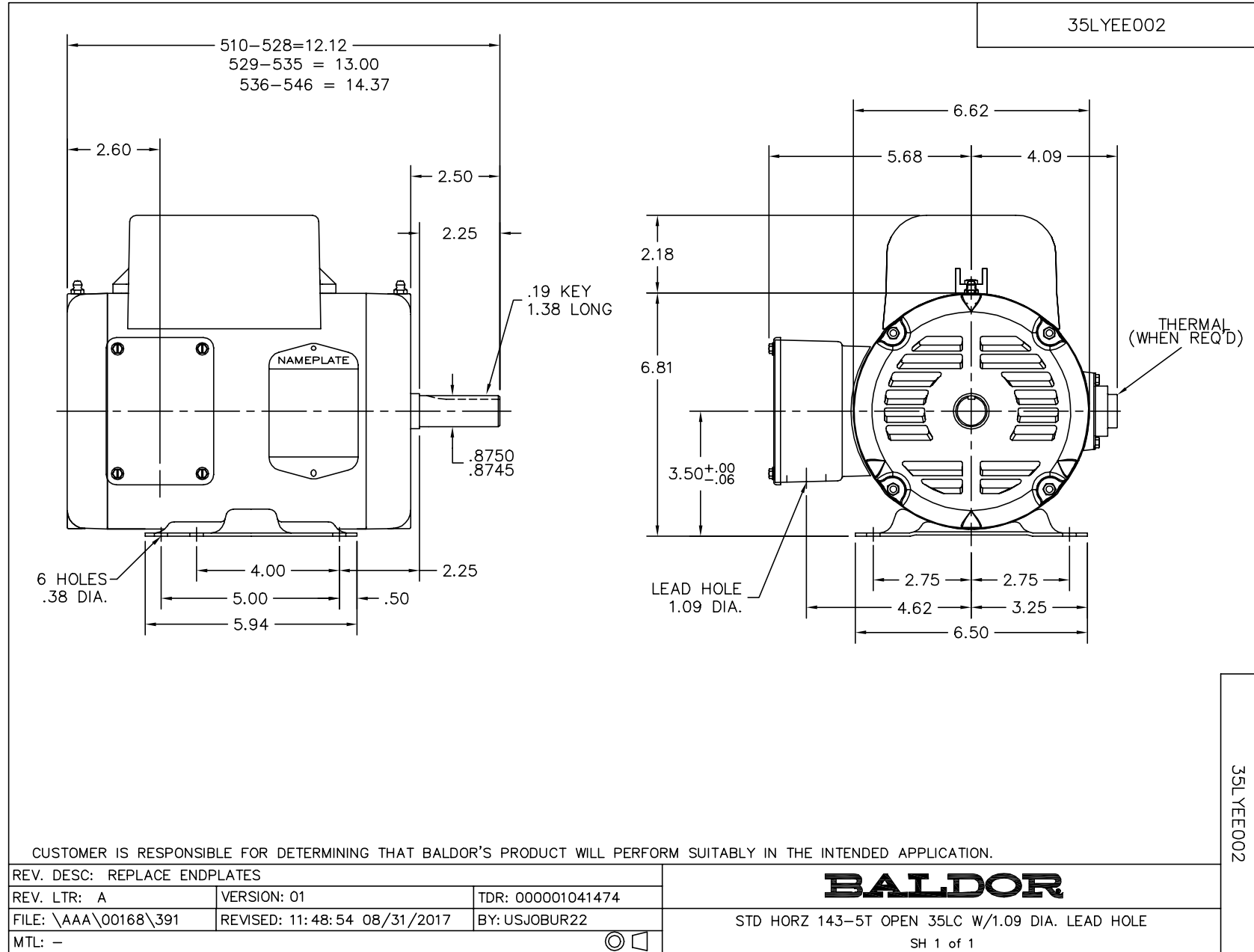
Nameplate Data				208 V, 60 Hz: High Voltage Connection	
Rated Output (HP)	2			Full Load Torque	6.05 LB-FT
Volts	115/208-230			Start Configuration	direct on line
Full Load Amps	20.4/10.3-10.2			Breakdown Torque	11.42 LB-FT
R.P.M.	1725			Pull-up Torque	11.41 LB-FT
Hz	60	Phase	1	Locked-rotor Torque	13.04 LB-FT
NEMA Design Code	L	KVA Code	J	Starting Current	57 A
Service Factor (S.F.)	1.15			No-load Current	4.28 A
NEMA Nom. Eff.	75.5	Power Factor	85	Line-line Res. @ 25°C	0.34 Ω A Ph 1.11 Ω B Ph
Rating - Duty	40C AMB-CONT			Temp. Rise @ Rated Load	65°C
S.F. Amps				Temp. Rise @ S.F. Load	84°C
				Locked-rotor Power Factor	90
				Rotor inertia	0.19 LB-FT ²

Load Characteristics 208 V, 60 Hz, 2 HP

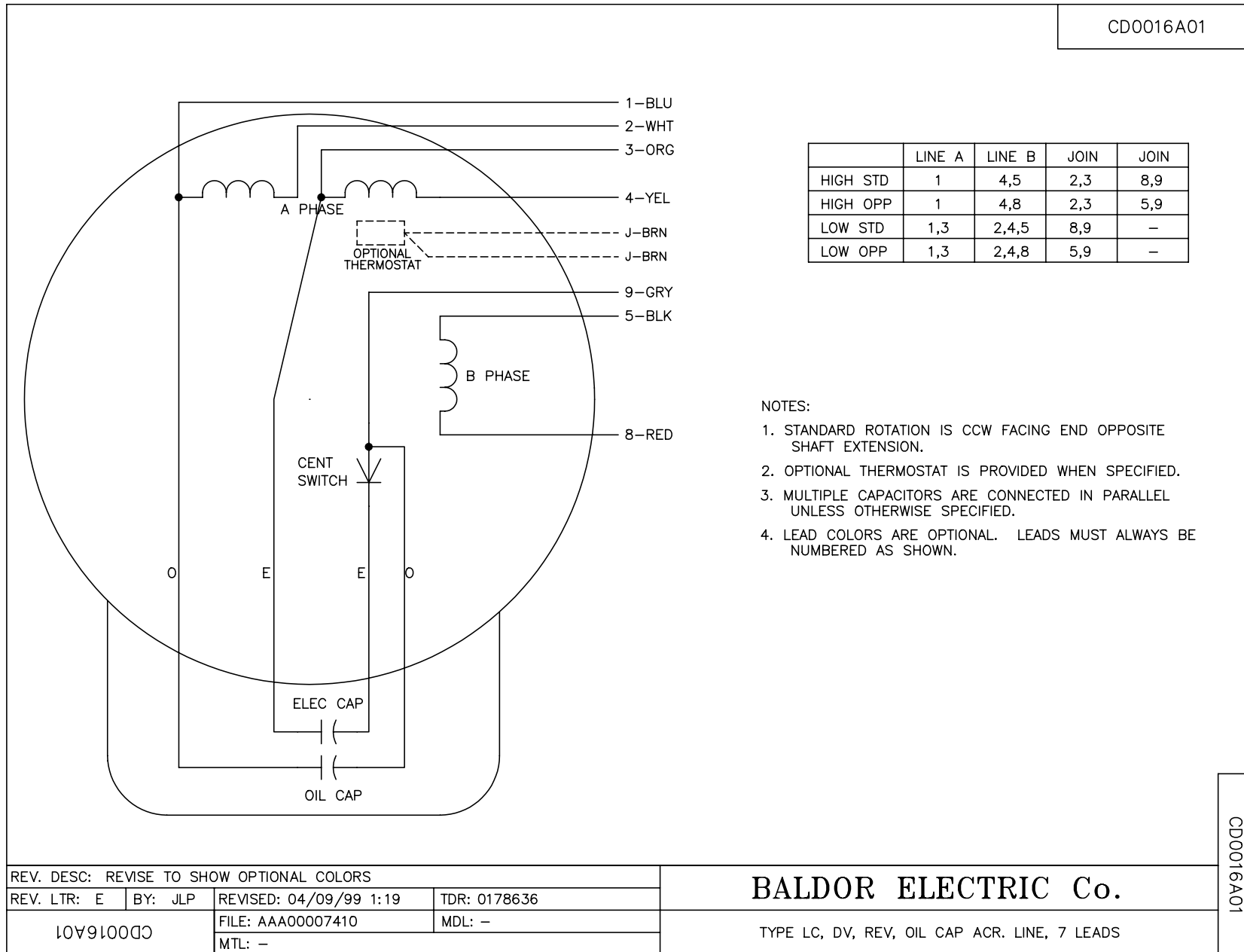
% of Rated Load	25	50	75	100	125	150	S.F.
Power Factor	60	79	89	92	94	99	93
Efficiency	65	77.5	78.2	76.6	73	69	74.4
Speed	1780	1762	1741	1715	1682	1655	1695
Line amperes	4.71	5.95	7.71	10	12.76	15.2	11.7

Performance Graph at 208V, 60Hz, 2.0HP Typical performance - Not guaranteed values





CDO016A01



	LINE A	LINE B	JOIN	JOIN
HIGH STD	1	4,5	2,3	8,9
HIGH OPP	1	4,8	2,3	5,9
LOW STD	1,3	2,4,5	8,9	-
LOW OPP	1,3	2,4,8	5,9	-

NOTES:

1. STANDARD ROTATION IS CCW FACING END OPPOSITE SHAFT EXTENSION.
2. OPTIONAL THERMOSTAT IS PROVIDED WHEN SPECIFIED.
3. MULTIPLE CAPACITORS ARE CONNECTED IN PARALLEL UNLESS OTHERWISE SPECIFIED.
4. LEAD COLORS ARE OPTIONAL. LEADS MUST ALWAYS BE NUMBERED AS SHOWN.

REV. DESC: REVISE TO SHOW OPTIONAL COLORS			
REV. LTR: E	BY: JLP	REVISED: 04/09/99 1:19	TDR: 0178636
10V91000		FILE: AAA00007410	MDL: -
CDO016A01		MTL: -	

BALDOR ELECTRIC Co.

TYPE LC, DV, REV, OIL CAP ACR. LINE, 7 LEADS

CDO016A01