

BALDOR® • RELIANCE 

Product Information Packet

L1408T

3HP,1725RPM,1PH,60HZ,184T,3634LC,OPEN,F1

| Part Detail | | | | | | | |
|-------------|--------|-------------|------------|-------------|---------------------|---------------|----|
| Revision: | AN | Status: | PRD/A | Change #: | | Proprietary: | No |
| Type: | AC | Elec. Spec: | 36WG2759 | CD Diagram: | CD0016A01 | Mfg Plant: | |
| Mech. Spec: | 36E002 | Layout: | 36LYE002 | Poles: | 04 | Created Date: | |
| Base: | RG | Eff. Date: | 01-19-2017 | Leads: | 4#14 A PH,3#16 B PH | | |

| Specs | | | |
|---------------------------------|-------------------------|--------------------------------|--------------------|
| Catalog Number: | L1408T | Insulation Class: | F |
| Enclosure: | OPEN | Inverter Code: | Not Inverter |
| Frame: | 184T | KVA Code: | H |
| Frame Material: | Steel | Lifting Lugs: | No Lifting Lugs |
| Output @ Frequency: | 3.000 HP @ 60 HZ | Locked Bearing Indicator: | No Locked Bearing |
| Synchronous Speed @ Frequency: | 1800 RPM @ 60 HZ | Motor Lead Quantity/Wire Size: | 4 @ 14 AWG, A PH |
| Voltage @ Frequency: | 230.0 V @ 60 HZ | Motor Lead Exit: | Ko Box |
| | 115.0 V @ 60 HZ | Motor Lead Termination: | Flying Leads |
| XP Class and Group: | None | Motor Type: | 3634LC |
| XP Division: | Not Applicable | Mounting Arrangement: | F1 |
| Agency Approvals: | CSA | Power Factor: | 78 |
| | UR | Product Family: | General Purpose |
| Auxillary Box: | No Auxillary Box | Pulley End Bearing Type: | Ball |
| Auxillary Box Lead Termination: | None | Pulley Face Code: | Standard |
| Base Indicator: | Rigid | Pulley Shaft Indicator: | Standard |
| Bearing Grease Type: | Polyrex EM (-20F +300F) | Rodent Screen: | None |
| Blower: | None | Shaft Extension Location: | Pulley End |
| Current @ Voltage: | 16.000 A @ 230.0 V | Shaft Ground Indicator: | No Shaft Grounding |

| | | | |
|---------------------------------------|---------------------------|------------------------------------|---------------------|
| | 16.800 A @ 208.0 V | Shaft Rotation: | Reversible |
| | 32.000 A @ 115.0 V | Shaft Slinger Indicator: | No Slinger |
| Design Code: | L | Speed Code: | Single Speed |
| Drip Cover: | No Drip Cover | Motor Standards: | NEMA |
| Duty Rating: | CONT | Starting Method: | Direct on line |
| Electrically Isolated Bearing: | Not Electrically Isolated | Thermal Device - Bearing: | None |
| Feedback Device: | NO FEEDBACK | Thermal Device - Winding: | None |
| Front Face Code: | Standard | Vibration Sensor Indicator: | No Vibration Sensor |
| Front Shaft Indicator: | None | Winding Thermal 1: | None |
| Heater Indicator: | No Heater | Winding Thermal 2: | None |

| Nameplate NP1256L | | | | | | | | | | |
|-------------------|--------------|--|------|----|-----|------|--|----------------|------|---|
| CAT.NO. | L1408T | | | | | | | | | |
| SPEC. | 36E02-2759 | | | | | | | | | |
| HP | 3 | | | | | | | | | |
| VOLTS | 115/230 | | | | | | | | | |
| AMP | 32/16 | | | | | | | | | |
| RPM | 1725 | | | | | | | | | |
| FRAME | 184T | | | | HZ | 60 | | | PH | 1 |
| SER.F. | 1.15 | | CODE | H | DES | L | | CLASS | F | |
| NEMA-NOM-EFF | 78 | | PF | 78 | | | | | | |
| RATING | 40C AMB-CONT | | | | | | | | | |
| CC | | | | | | | | USABLE AT 208V | 16.8 | |
| DE | 6206 | | | | ODE | 6205 | | | | |
| ENCL | OPEN | | SN | | | | | | | |

| Parts List | | |
|-------------|--|----------|
| Part Number | Description | Quantity |
| SA034423 | SA 36E02-2759 | 1.000 EA |
| RA030451 | RA 36E02-2759 | 1.000 EA |
| 36CB3004 | 36 CB CASTING W/1.09 DIA LEAD HOLE @ 6:0 | 1.000 EA |
| 51XB1016A08 | 10-16X 1/2HXWSSLD SERTYB | 2.000 EA |
| 11XW1032G06 | 10-32 X .38, TAPTITE II, HEX WSHR SLTD U | 1.000 EA |
| HW3001B01 | BRASS CUP WASHER, FOR #10 SCREW | 1.000 EA |
| 36EP3200A01 | FR ENDPLATE, ASSEMBLY FOR ROUTING | 1.000 EA |
| HW4500A01 | 1641B(ALEMITE)400 UNIV, GREASE FITT | 1.000 EA |
| SP1008A01 | BAFFLE, MODEL 36 & 37 | 1.000 EA |
| 13XF0832A08 | 8-32 X.50 PAN HD,SLTD, TYPE F SCREW, ZIN | 2.000 EA |
| 10XN2520A12 | O1/4-20X 3/4 HEX HEAD CAP | 2.000 EA |
| HW5100A05 | WVY WSHR F/205 & 304 BRGS | 1.000 EA |
| 36PE3201A01 | PU ENDPLATE, ASSEMBLY FOR ROUTING | 1.000 EA |
| HW4500A01 | 1641B(ALEMITE)400 UNIV, GREASE FITT | 1.000 EA |
| XY2520A12 | 1/4-20 HEX NUT, DIRECTIONAL SERRATIONS | 4.000 EA |
| 36CB4516 | 36 LIPPED CB LID - GALVANNEAL | 1.000 EA |
| 51XW0832A07 | 8-32 X .44, TAPTITE II, HEX WSHR SLTD SE | 4.000 EA |
| HW2501E16 | KEY, 1/4 SQ X 1.750 | 1.000 EA |
| HA7000A02 | KEY RETAINER RING, 1 1/8 DIA, 1 3/8 DIA | 1.000 EA |
| 85XU0407S04 | 4X1/4 U DRIVE PIN STAINLESS | 2.000 EA |
| MJ1000A02 | GREASE, POLYREX EM EXXON (USe 4824-15A) | 0.050 LB |
| MG1000G27 | MED CHARCOAL METALLIC GREY 400-0096 | 0.022 GA |
| HA3101A25 | THRUBOLT 1/4-20 X 11.000 OHIO ROD | 4.000 EA |
| 36CB5010A01 | CAPACITOR BOX KIT, 36CB3800, OC3020F12 | 1.000 EA |

| Parts List (continued) | | |
|-------------------------------|--|-----------------|
| Part Number | Description | Quantity |
| SP5172A38 | 37 TYPE LC TORQ STAT SWITCH LEAD ASSEMBL | 1.000 EA |
| LB1119N | WARNING LABEL | 1.000 EA |
| LC0016 | CONNECTION LABEL | 1.000 EA |
| NP1256L | ALUM UL CSA CC INDUSTRIAL MOTOR A60 | 1.000 EA |
| G7PA1000 | PKG GRP, PRINT PK1034A06 | 1.000 EA |
| MN416A01 | TAG-INSTAL-MAINT no wire (1200/bx) 5/18 | 1.000 EA |

| Accessories | | |
|--------------------|--------------------|-------------------|
| Part Number | Description | Multiplier |
| 36-3403 | C FACE KIT | A8 |
| 36EP1405A09SP | D-FLANGE KIT | A8 |

AC Induction Motor Performance Data

Record # 61451 - Typical performance - not guaranteed values

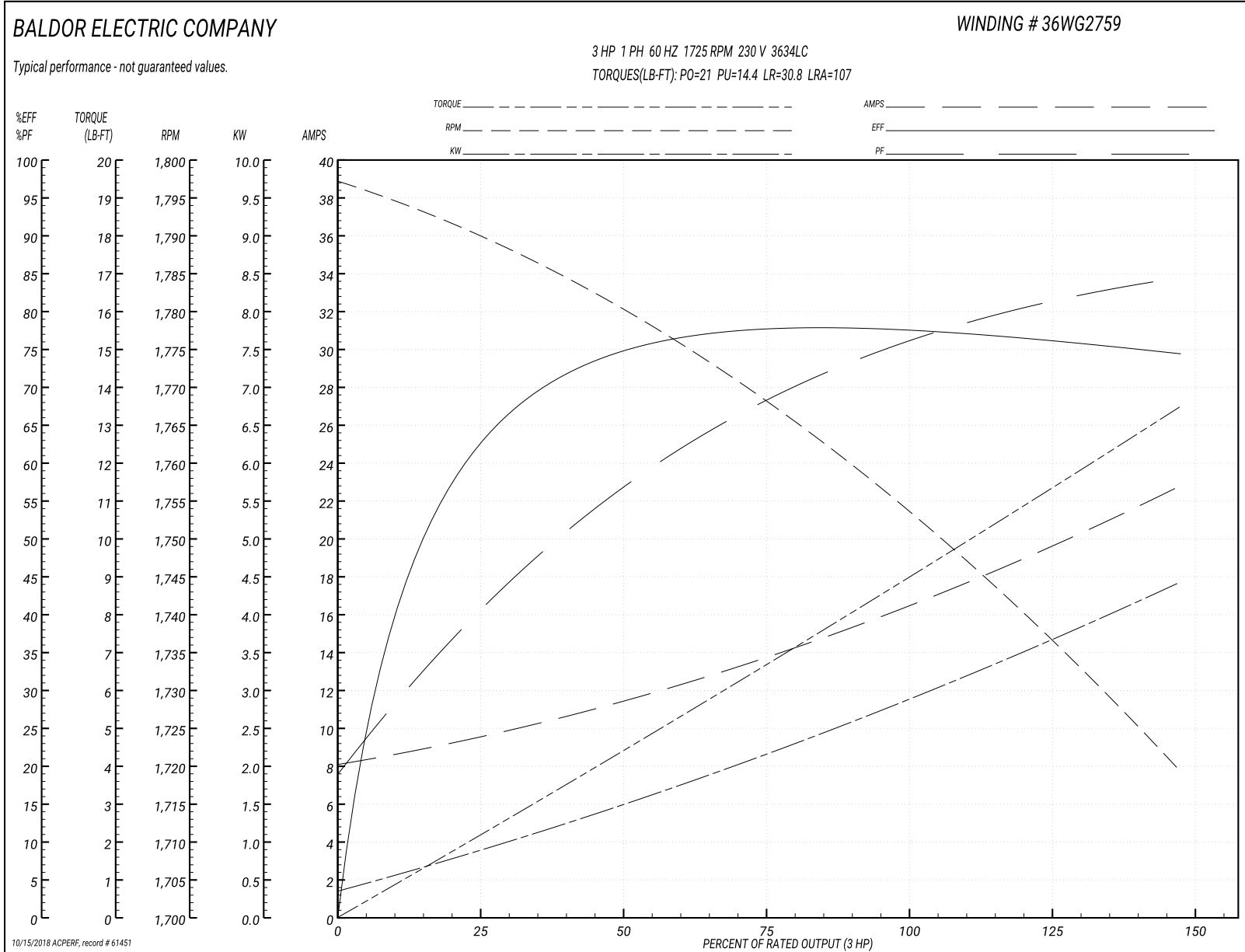
| | | |
|-------------------------------|---------------------|------------------------|
| Winding: 36WG2759-R003 | Type: 3634LC | Enclosure: OPEN |
|-------------------------------|---------------------|------------------------|

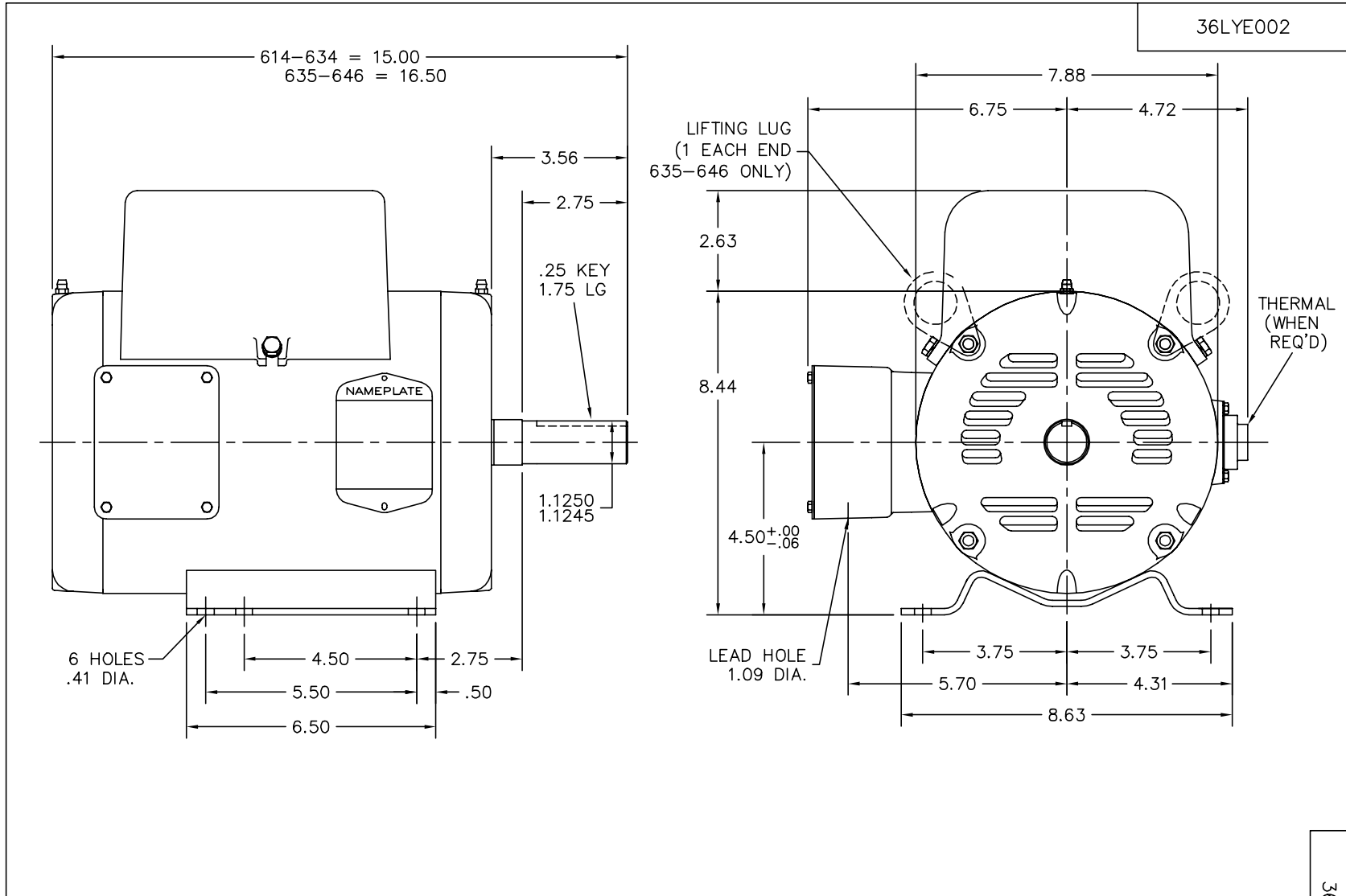
| Nameplate Data | | | | 230 V, 60 Hz: High Voltage Connection | |
|-----------------------|--------------|--------------|----|--|------------------------------|
| Rated Output (HP) | 3 | | | Full Load Torque | 9 LB-FT |
| Volts | 115/230 | | | Start Configuration | direct on line |
| Full Load Amps | 32/16 | | | Breakdown Torque | 21 LB-FT |
| R.P.M. | 1725 | | | Pull-up Torque | 14.4 LB-FT |
| Hz | 60 | Phase | 1 | Locked-rotor Torque | 30.8 LB-FT |
| NEMA Design Code | L | KVA Code | H | Starting Current | 107 A |
| Service Factor (S.F.) | 1.15 | | | No-load Current | 8.5 A |
| NEMA Nom. Eff. | 78 | Power Factor | 78 | Line-line Res. @ 25°C | 4.156 Ω A Ph 0.586 Ω B Ph |
| Rating - Duty | 40C AMB-CONT | | | Temp. Rise @ Rated Load | 57°C |
| S.F. Amps | | | | Temp. Rise @ S.F. Load | 72°C |

Load Characteristics 230 V, 60 Hz, 3 HP

| % of Rated Load | 25 | 50 | 75 | 100 | 125 | 150 | S.F. |
|-----------------|------|------|------|------|------|------|------|
| Power Factor | 45 | 64 | 73 | 79 | 85 | 83 | 83 |
| Efficiency | 62.6 | 74.9 | 78.6 | 78 | 75 | 74.9 | 76.1 |
| Speed | 1788 | 1780 | 1769 | 1756 | 1733 | 1721 | 1742 |
| Line amperes | 9.1 | 10.4 | 15.8 | 16 | 19 | 23 | 17.8 |

Performance Graph at 230V, 60Hz, 3.0HP Typical performance - Not guaranteed values





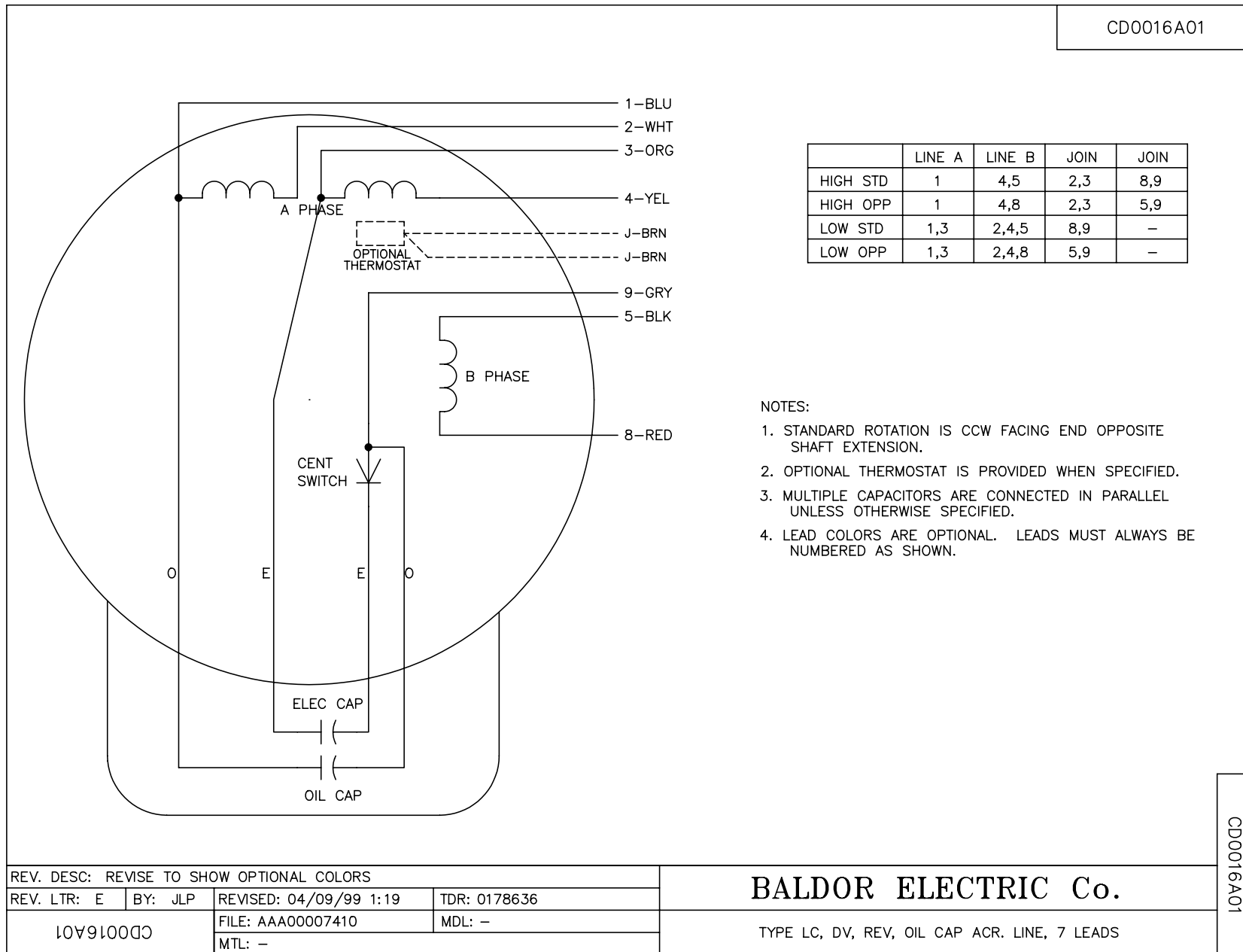
CUSTOMER IS RESPONSIBLE FOR DETERMINING THAT MOTOR PERFORMANCE IS SUITABLE IN THE APPLICATION.

| | | | |
|---|---------|------------------------------|---------------|
| REV. DESC: LIFTING LUG NOTE ".635-646.." WAS ".635-546.." | | | |
| REV. LTR: J | BY: SSS | REVISED: 11:36:42 09/10/2004 | TDR: 342926 |
| 36LYE002 | | FILE: AAA00003138 | REF: 36LYE002 |
| | | MTL: - | |

| |
|-----------------------------|
| BALDOR ELECTRIC Co. |
| STD HORZ 182-4T OPEN 36L-LC |

36LYE002

CD0016A01



| | | | |
|---|---------|------------------------|--------------|
| REV. DESC: REVISE TO SHOW OPTIONAL COLORS | | | |
| REV. LTR: E | BY: JLP | REVISED: 04/09/99 1:19 | TDR: 0178636 |
| CD0016A01 | | FILE: AAA00007410 | MDL: - |
| | | MTL: - | |

BALDOR ELECTRIC Co.

TYPE LC, DV, REV, OIL CAP ACR. LINE, 7 LEADS

CD0016A01