

BALDOR® • RELIANCE 

Product Information Packet

L3356

.25HP,3450RPM,1PH,60HZ,42,3316L,TEFC,F1

Part Detail							
Revision:	AL	Status:	PRD/A	Change #:		Proprietary:	No
Type:	AC	Elec. Spec:	33WG0389	CD Diagram:	CD0001A10	Mfg Plant:	
Mech. Spec:	33-850	Layout:	33LY0850	Poles:	02	Created Date:	06-25-2007
Base:	RG	Eff. Date:	08-17-2018	Leads:	6#18		

Specs			
Catalog Number:	L3356	Inverter Code:	Not Inverter
Enclosure:	TEFC	KVA Code:	L
Frame:	42	Lifting Lugs:	No Lifting Lugs
Frame Material:	Steel	Locked Bearing Indicator:	No Locked Bearing
Output @ Frequency:	.250 HP @ 60 HZ	Motor Lead Quantity/Wire Size:	6 @ 18 AWG
Synchronous Speed @ Frequency:	3600 RPM @ 60 HZ	Motor Lead Exit:	Ko Box
Voltage @ Frequency:	115.0 V @ 60 HZ	Motor Lead Termination:	Flying Leads
	230.0 V @ 60 HZ	Motor Type:	3316L
Agency Approvals:	UR	Mounting Arrangement:	F1
	CSA	Power Factor:	64
Auxillary Box:	No Auxillary Box	Product Family:	General Purpose
Auxillary Box Lead Termination:	None	Pulley End Bearing Type:	Ball
Base Indicator:	Rigid	Pulley Face Code:	Standard
Bearing Grease Type:	Polyrex EM (-20F +300F)	Pulley Shaft Indicator:	Standard
Blower:	None	Rodent Screen:	None
Current @ Voltage:	2.000 A @ 230.0 V	RoHS Status:	ROHS COMPLIANT
	2.400 A @ 208.0 V	Shaft Extension Location:	Pulley End
	4.000 A @ 115.0 V	Shaft Ground Indicator:	No Shaft Grounding

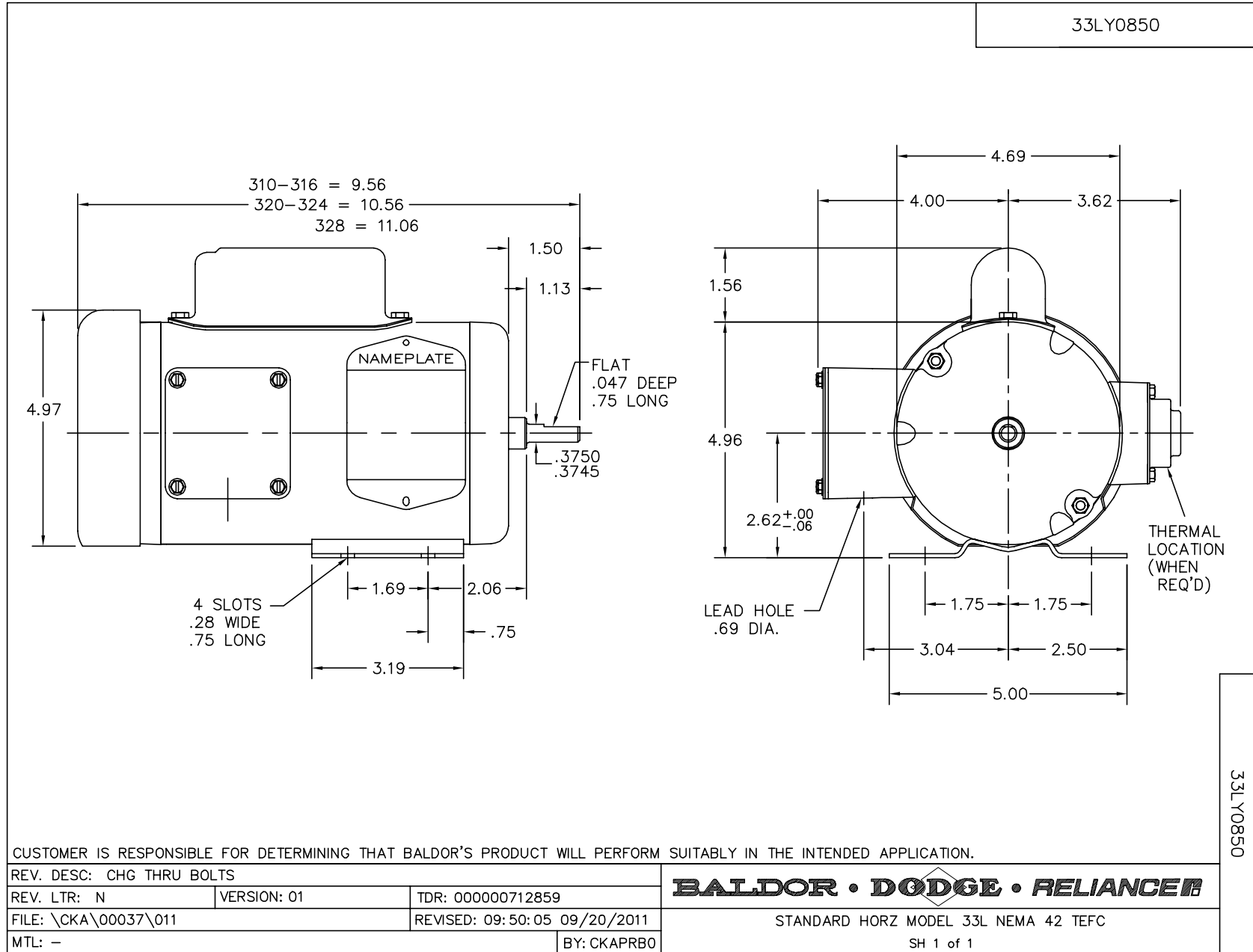
Design Code:	-	Shaft Rotation:	Reversible
Drip Cover:	No Drip Cover	Shaft Slinger Indicator:	No Slinger
Duty Rating:	CONT	Speed Code:	Single Speed
Electrically Isolated Bearing:	Not Electrically Isolated	Motor Standards:	NEMA
Feedback Device:	NO FEEDBACK	Starting Method:	Direct on line
Feedback Signal:	NONE	Thermal Device - Bearing:	NONE (OLD)
Front Face Code:	Standard	Thermal Device - Winding:	None
Front Shaft Indicator:	None	Vibration Sensor Indicator:	No Vibration Sensor
Heater Indicator:	No Heater	Winding Thermal 1:	None
Insulation Class:	B	Winding Thermal 2:	None

Nameplate NP1256L										
CAT.NO.	L3356									
SPEC.	33-850-389									
HP	.25									
VOLTS	115/230									
AMP	4/2									
RPM	3450									
FRAME	42				HZ	60			PH	1
SER.F.	1.35		CODE	L	DES	-		CLASS	B	
NEMA-NOM-EFF	57		PF	64						
RATING	40C AMB-CONT									
CC								USABLE AT 208V	2.4	
DE	6203				ODE	6203				
ENCL	TEFC		SN							
	SFA 4.6/2.3									

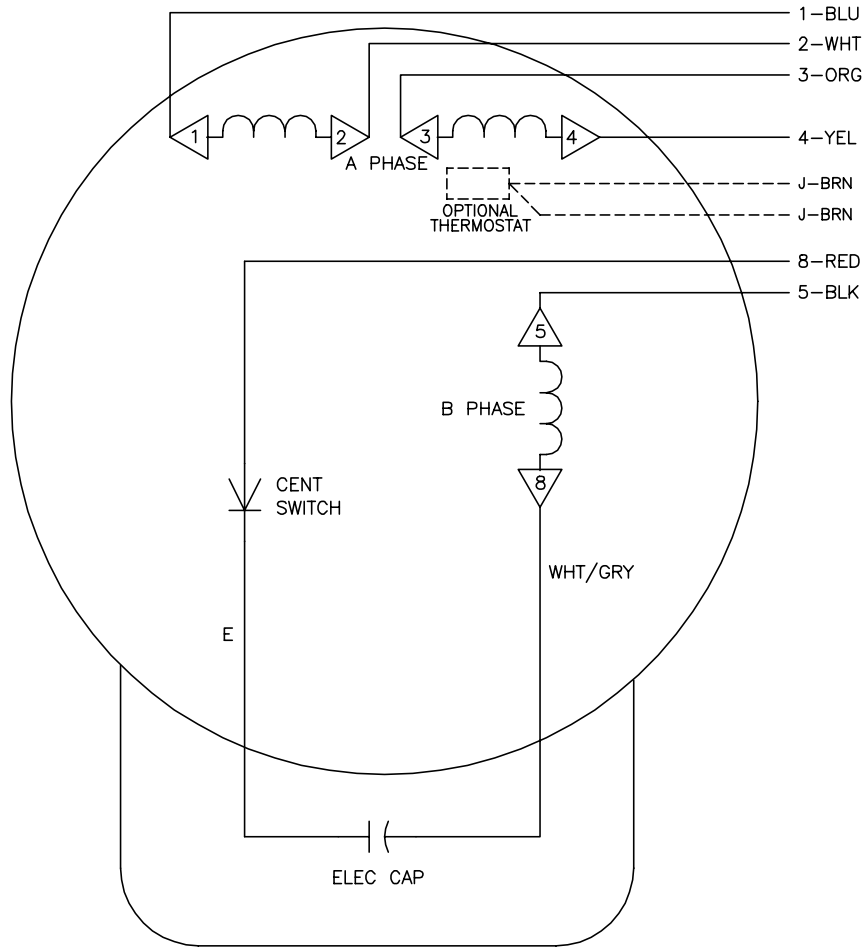
Parts List		
Part Number	Description	Quantity
SA007357	SA 33-850-389	1.000 EA
RA003804	RA 33-850-389	1.000 EA
EC1189A02SP	61B2D120189NNBA ELEC CAP, 189-227MFD, 12	1.000 EA
NS2512A01	INSULATOR, CONDUIT BOX X	1.000 EA
34CB3002A64	CB W/.69 DIA @ 6	1.000 EA
34GS1029A01	GASKET, CONDUIT BOX	1.000 EA
51XB1016A07	10-16 X 7/16 HXWSSLD SERTYB	2.000 EA
11XW1032G06	10-32 X .38, TAPTITE II, HEX WSHR SLTD U	1.000 EA
51XW0832A07	8-32 X .44, TAPTITE II, HEX WSHR SLTD SE	2.000 EA
33EP3100A01SP	EP,33AC ODE GP 6203 TEFC W/DRAIN	1.000 EA
NS2500A01	INSULATOR, AUTO THER PROT	1.000 EA
34CB4800SP	CAPACITOR COVER, STAMPED PRIMED	1.000 EA
34GS3000SP	GASKET, CAPACITOR BOX	1.000 EA
51XB1016A05	10-16X5/16HX WA SL SR TYB (F/S)	2.000 EA
HW5100A03	WAVY WASHER (W1543-017)	1.000 EA
33EP3100A02	PU ENDPLATE, MACH	1.000 EA
XY1032A02	10-32 HEX NUT DIRECTIONAL SERRATION	2.000 EA
33FN3000	EXTERNAL FAN, PLASTIC	1.000 EA
HW1003A08	WASHER, #8 EX TH LK, ZN (F/S)	1.000 EA
33FH4001A01	45N COVER, STAMPED	1.000 EA
51XW1032A06	10-32 X .38, TAPTITE II, HEX WSHR SLTD S	3.000 EA
34CB4517	CB LID 4 MTG HOLES .22 DIA STAMPED, FOR	1.000 EA
34GS1031A01	GASKET, FLAT CONDUIT BOX LID (LEXIDE)	1.000 EA
51XW0832A07	8-32 X .44, TAPTITE II, HEX WSHR SLTD SE	4.000 EA

Parts List (continued)		
Part Number	Description	Quantity
MG1000G27	MED CHARCOAL METALLIC GREY 400-0096	0.013 GA
85XU0407S04	4X1/4 U DRIVE PIN STAINLESS	2.000 EA
SP5183A12	33LC TORQ STAT SWITCH 11"-#8 8"-#E	1.000 EA
HA3100A11	THRUBOLT 10-32 X 6.750	2.000 EA
LC0001A01	CONN LABEL / WARNING LABEL (LC0001 / LB1	1.000 EA
NP1256L	ALUM UL CSA CC INDUSTRIAL MOTOR A60	1.000 EA
34PA1002	PKG GRP, PRINT PK1001A01	1.000 EA

No performance data has been
assigned to this product.



CD0001A10



	LINE A	LINE B	JOIN
HIGH STD	1	4,5	2,3,8
HIGH OPP	1	4,8	2,3,5
LOW STD	1,3,8	2,4,5	-
LOW OPP	1,3,5	2,4,8	-

NOTES:

1. STANDARD ROTATION IS CCW FACING LEAD END
2. OPTIONAL THERMOSTAT IS PROVIDED WHEN SPECIFIED.
3. MULTIPLE CAPACITORS ARE CONNECTED IN PARALLEL UNLESS OTHERWISE SPECIFIED.
4. LEAD COLORS ARE OPTIONAL. LEADS MUST ALWAYS BE NUMBERED AS SHOWN.
5. = MAGNET WIRE COIL END WITH I.D. NUMBER

REV. DESC: NEW		
REV. LTR: -	VERSION: 00	TDR: 000000435106
01V100000	FILE: \CKA\00032\277	REVISED: 10:15:16 06/19/2007
	MTL: -	BY: CKNATLO

Baldor • Dodge • Reliance

TYPE L, DV, REV, 6 LD, CK

CD0001A10