



Customer information packet

L3406

.33HP, 1725RPM, 1PH, 60HZ, 48, 3414L, TEFC, F1

Class - None

Division - Not Applicable

Specifications

Enclosure	TEFC
Frame	48
Frame Material	Steel
Frequency	60.00 Hz
Haz Area Class and Group	None
Haz Area Division	Not Applicable
Motor Letter Type	Cap Start, Induction Run
Output @ Frequency	.330 HP @ 60 HZ
Phase	1
Synchronous Speed @ Frequency	1800 RPM @ 60 HZ
Voltage @ Frequency	115.0 V @ 60 HZ 230.0 V @ 60 HZ
Agency Approvals	UR CSA
Ambient Temperature	40 °C
Auxillary Box	No Auxillary Box
Auxillary Box Lead Termination	None
Base Indicator	Rigid
Bearing Grease Type	Polyrex EM (-20F +300F)
Blower	None
Current @ Voltage	3.000 A @ 230.0 V 3.600 A @ 208.0 V 6.000 A @ 115.0 V
Design Code	N
Drip Cover	No Drip Cover
Duty Rating	CONT
Efficiency @ 100% Load	60.0 %
Electrically Isolated Bearing	Not Electrically Isolated
Feedback Device	NO FEEDBACK
Front Face Code	Standard
Front Shaft Indicator	None
Heater Indicator	No Heater

Part detail

Revision	AL
Type	AC
Mech. spec.	34C051
Base	
Status	PRD/A
Elec. spec.	34WG5507
Layout	34LYC051
Eff. date	12-30-2024
CD Diagram	CD0001
Poles	04
Leads	6#18
Proprietary	False
Created date	01-01-0001

High Voltage Full Load Amps	3.0 a
Insulation Class	B
Inverter Code	Not Inverter
IP Rating	NONE
KVA Code	L
Lifting Lugs	No Lifting Lugs
Locked Bearing Indicator	No Locked Bearing
Motor Lead Exit	Ko Box
Motor Lead Quantity/Wire Size	6 @ 18 AWG
Motor Lead Termination	Flying Leads
Motor Standards	NEMA
Motor Type	3414L
Mounting Arrangement	F1
Number of Poles	4
Overall Length	10.72 IN
Power Factor	60
Product Family	General Purpose
Pulley End Bearing Type	Ball
Pulley Face Code	Standard
Pulley Shaft Indicator	Standard
Rodent Screen	None
Service Factor	1.35
Shaft Diameter	0.500 IN
Shaft Extension Location	Pulley End
Shaft Ground Indicator	No Shaft Grounding
Shaft Rotation	Reversible
Shaft Slinger Indicator	No Slinger
Speed	1725 rpm
Speed Code	Single Speed
Starting Method	Direct on line
Thermal Device - Bearing	None
Thermal Device - Winding	None
Vibration Sensor Indicator	No Vibration Sensor
Winding Thermal 1	None

Winding Thermal 2

None

Nameplate

NP1256L									
CAT.NO.	L3406								
SPEC.	34C51-5507								
HP	.33								
VOLTS	115/230								
AMP	6/3								
RPM	1725								
FRAME	48		HZ	60		PH	1		
SER.F.	1.35	CODE	L	DES	N	CLASS	B		
NEMA-NOM-EFF	60	PF	60						
RATING	40C AMB-CONT								
CC									
DE	6203		ODE	6203					
ENCL	TEFC	SN							
	SFA 6.8/3.4								

Accessories

Part number	Description	Multiplier
34-3900T	C-FACE KIT	A8

AC Induction Motor Performance Data

Record # 6774

Typical performance - not guaranteed values

Winding: 34WG5507-R001		Type: 3414L		Enclosure: TEFC	
Nameplate Data			230 V, 60 Hz: High Voltage Connection		
Rated Output (HP)	.33		Full Load Torque	1 LB-FT	
Volts	115/230		Start Configuration	direct on line	
Full Load Amps	6/3		Breakdown Torque	2.95 LB-FT	
R.P.M.	1725		Pull-up Torque	2.55 LB-FT	
Hz	60 Phase	1	Locked-rotor Torque	3.6 LB-FT	
NEMA Design Code	N	KVA Code	L	Starting Current	13 A
Service Factor (S.F.)	1.35		No-load Current	2.6 A	
NEMA Nom. Eff.	60	Power Factor	60	Line-line Res. @ 25°C	6.32 Ω A Ph 4.93 Ω B Ph
Rating - Duty	40C AMB-CONT		Temp. Rise @ Rated Load	67°C	
S.F. Amps	6.8/3.4		Temp. Rise @ S.F. Load	83°C	

Load Characteristics 230 V, 60 Hz, 0.33 HP

% of Rated Load	25	50	75	100	125	150	S.F.
Power Factor	31	41	52	60	67	73	71
Efficiency	33	41	52	60	61.5	61.5	61.5
Speed	1780	1760	1745	1725	1705	1680	1690
Line amperes	2.6	2.7	2.8	3	3.3	3.7	3.4

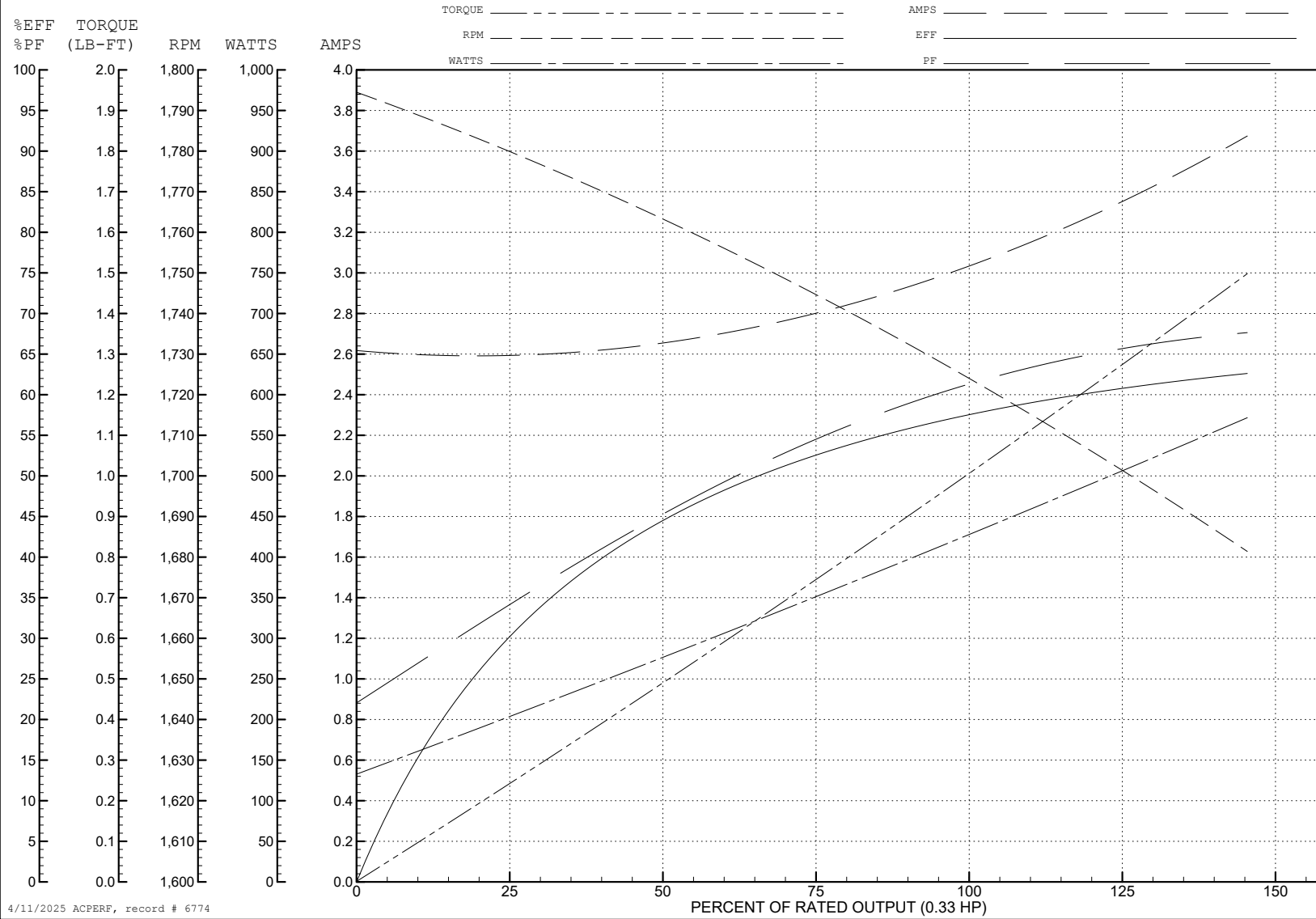
ABB Motors and Mechanical Inc.

WINDING # 34WG5507

0.33 HP 1 PH 60 HZ 1725 RPM 230 V 3414L

Typical performance - not guaranteed values.

TORQUES (LB-FT): PO=2.95 PU=2.55 LR=3.6 LRA=13



4/11/2025 ACPERF, record # 6774

AC Induction Motor Performance Data

Record # 29314

Typical performance - not guaranteed values

Winding: 34WG5507-R001			Type: 3414L			Enclosure: TEFC		
Nameplate Data						115 V, 60 Hz: Low Voltage Connection		
Rated Output (HP)			.33	Full Load Torque	1 LB-FT			
Volts			115/230	Start Configuration	direct on line			
Full Load Amps			6/3	Breakdown Torque	2.95 LB-FT			
R.P.M.			1725	Pull-up Torque	2.55 LB-FT			
Hz	60	Phase	1	Locked-rotor Torque	3.6 LB-FT			
NEMA Design Code	N	KVA Code	L	Starting Current	26 A			
Service Factor (S.F.)			1.35	No-load Current	5.2 A			
NEMA Nom. Eff.	60	Power Factor	60	Line-line Res. @ 25°C	1.5 Ω A Ph 4.81 Ω B Ph			
Rating - Duty			40C AMB-CONT	Temp. Rise @ Rated Load	68°C			
S.F. Amps			6.8/3.4	Temp. Rise @ S.F. Load	81°C			

Load Characteristics 115 V, 60 Hz, 0.33 HP

% of Rated Load	25	50	75	100	125	150	S.F.
Power Factor	31	41	52	59	65	67	66
Efficiency	34	49	56	59.9	62	63	62.4
Speed	1783	1765	1745	1730	1710	1680	1698
Line amperes	5.2	5.4	5.6	6	6.6	7.4	6.92

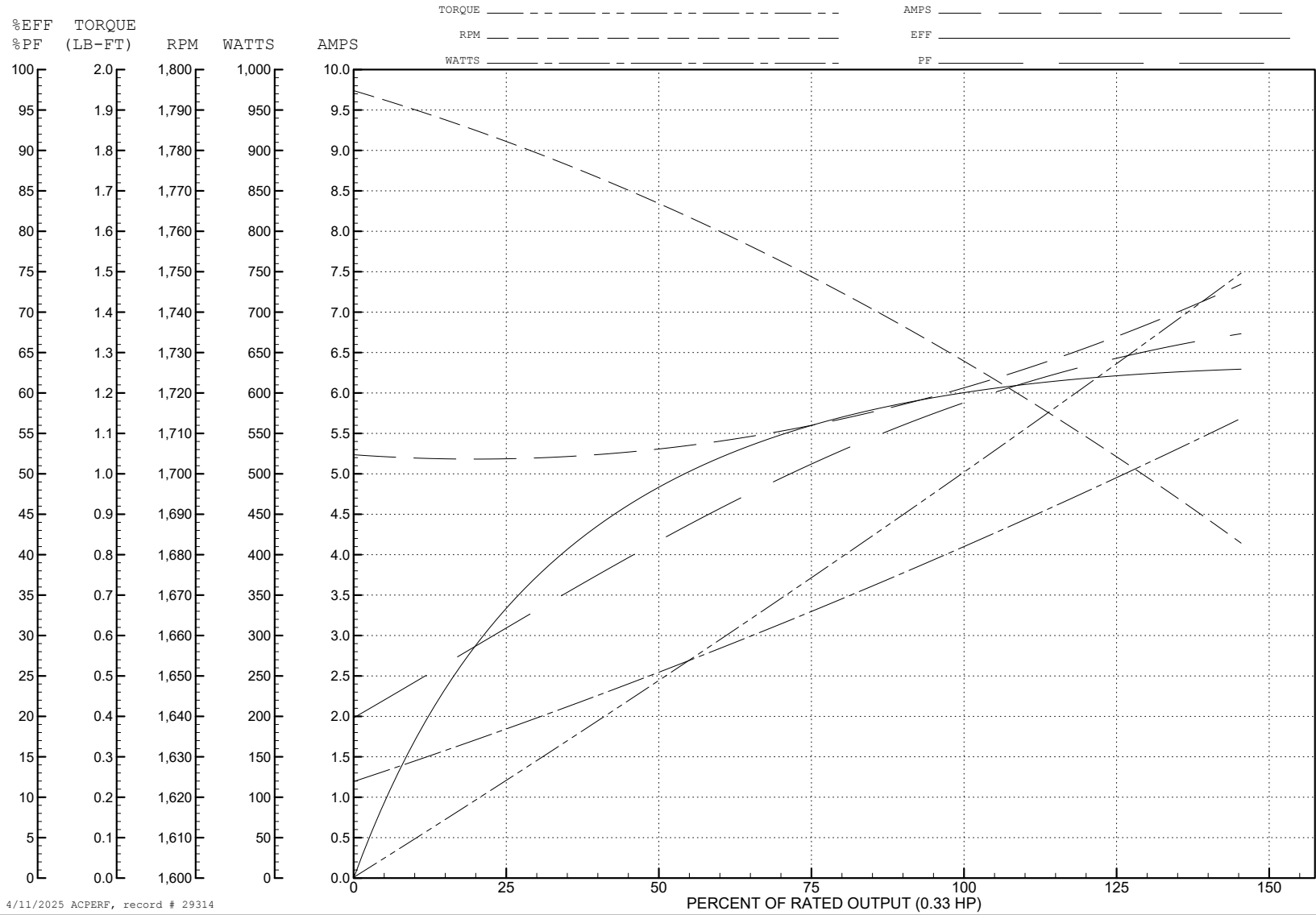
ABB Motors and Mechanical Inc.

WINDING # 34WG5507

0.33 HP 1 PH 60 HZ 1725 RPM 115 V 3414L

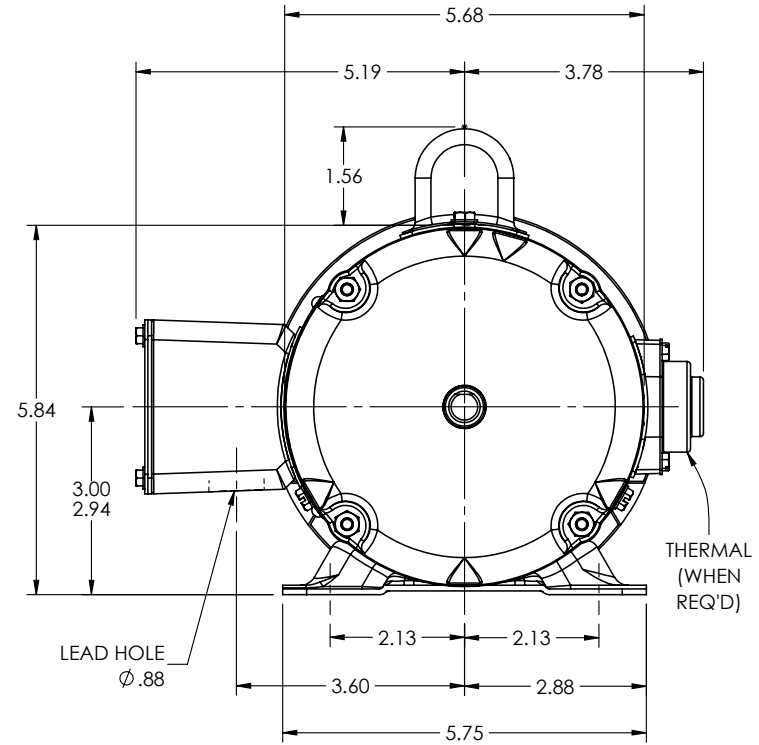
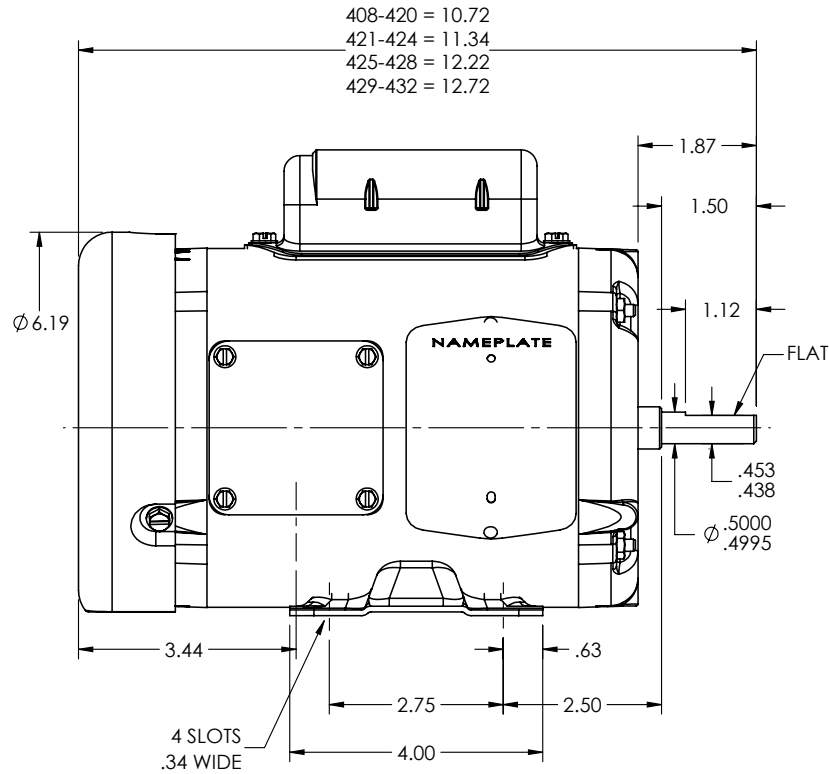
Typical performance - not guaranteed values.

TORQUES (LB-FT): PO=2.95 PU=2.55 LR=3.6 LRA=26



4/11/2025 ACPERF, record # 29314

34LYC051



CUSTOMER IS RESPONSIBLE FOR DETERMINING THAT THE PRODUCT WILL PERFORM SUITABLY IN THE INTENDED APPLICATION

REV. DESC: UPDATE STACK RANGE

REV: N	VERSION: 06	REVISED: 04:36:54 05/06/2024	TDR: 000001231525
--------	-------------	------------------------------	-------------------

34LYC051

MODEL NO. 34LYC051
 BY: ENJEFD0

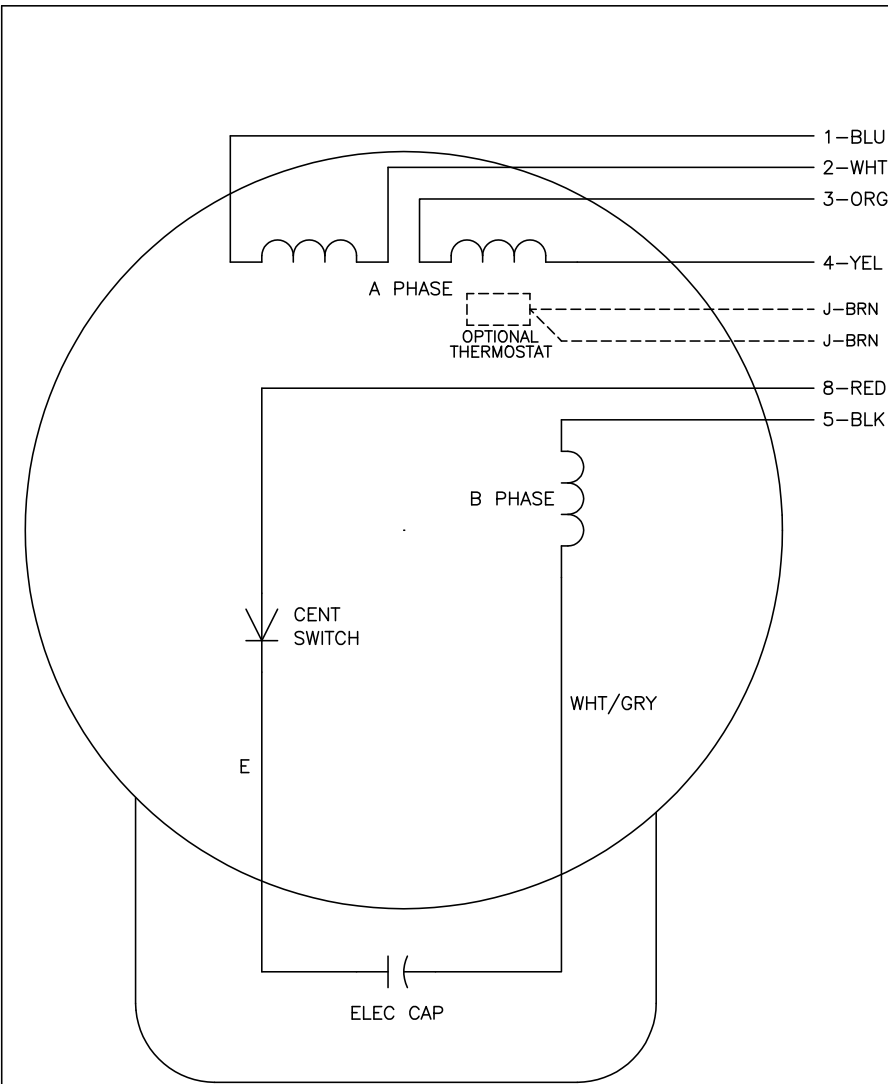
REF: -

BALDOR - RELIANCE®

STD HORZ MODEL 34L NEMA 48 TEFC

34LYC051

CD0001



	LINE A	LINE B	JOIN
HIGH STD	1	4,5	2,3,8
HIGH OPP	1	4,8	2,3,5
LOW STD	1,3,8	2,4,5	-
LOW OPP	1,3,5	2,4,8	-

NOTES:

1. STANDARD ROTATION IS CCW FACING END OPPOSITE SHAFT EXTENSION.
2. OPTIONAL THERMOSTAT IS PROVIDED WHEN SPECIFIED.
3. MULTIPLE CAPACITORS ARE CONNECTED IN PARALLEL UNLESS OTHERWISE SPECIFIED.
4. LEAD COLORS ARE OPTIONAL. LEADS MUST ALWAYS BE NUMBERED AS SHOWN.

REV. DESC: REVISE TO SHOW OPTIONAL COLORS			
REV. LTR: D	BY: JLP	REVISED: 04/08/99 1:16	TDR: 0178636
100000		FILE: AAA00007405	MDL: -
		MTL: -	

BALDOR ELECTRIC Co.

TYPE L, DV, REV, 6 LEADS

CD0001