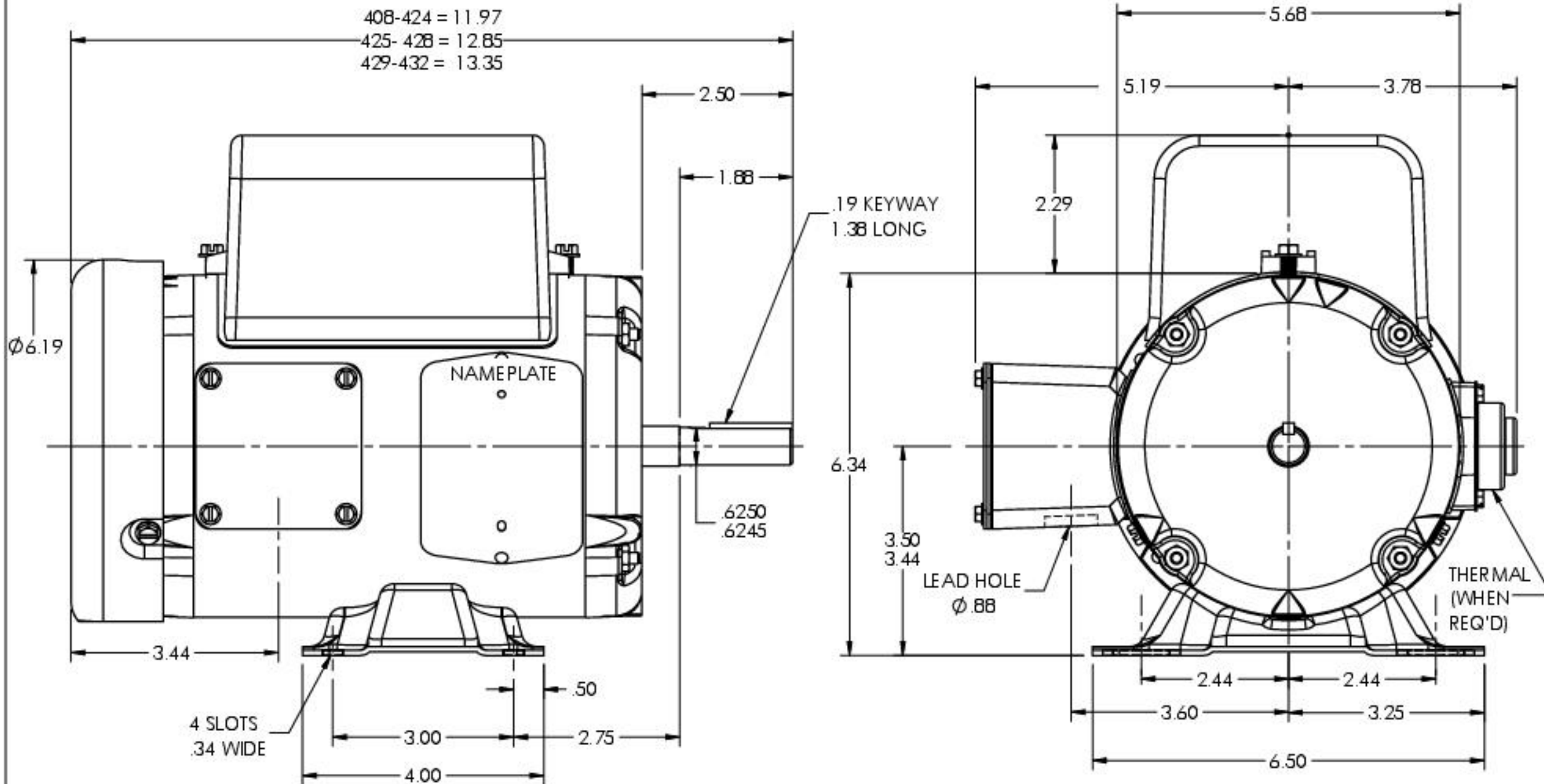


34LYG375



CUSTOMER IS RESPONSIBLE FOR DETERMINING THAT THE PRODUCT WILL PERFORM SUITABLY IN THE INTENDED APPLICATION

REV. DESC: LOAD TO SOLIDWORKS

REV: E | VERSION: 04 | REVISED: 03 58:39 08/09/2022 | TDR: 00001194274

34LYG375

MODEL NO. 34LYG375

REF: -

BY: ENFRAJO

BALDOR - RELIANCE®

HORZ 34LC NEMA 56 TEFC

34LYG375