

BALDOR® • RELIANCE 

Product Information Packet

L3513

1.5HP,3450RPM,1PH,60HZ,56/56H,3524L,TEFC

Part Detail							
Revision:	AR	Status:	PRD/A	Change #:		Proprietary:	No
Type:	AC	Elec. Spec:	35WGY748	CD Diagram:	CD0001	Mfg Plant:	
Mech. Spec:	35J383	Layout:	35LYJ383	Poles:	02	Created Date:	06-22-2007
Base:	RG	Eff. Date:	05-30-2018	Leads:	4#16 A PH,2#18 B PH		

Specs			
Catalog Number:	L3513	Insulation Class:	B
Enclosure:	TEFC	Inverter Code:	Not Inverter
Frame:	56/56H	KVA Code:	J
Frame Material:	Steel	Lifting Lugs:	No Lifting Lugs
Output @ Frequency:	1.500 HP @ 60 HZ	Locked Bearing Indicator:	No Locked Bearing
Synchronous Speed @ Frequency:	3600 RPM @ 60 HZ	Motor Lead Quantity/Wire Size:	4 @ 16 AWG, A PH
Voltage @ Frequency:	230.0 V @ 60 HZ	Motor Lead Exit:	Ko Box
	115.0 V @ 60 HZ	Motor Lead Termination:	Flying Leads
XP Class and Group:	None	Motor Type:	3524L
XP Division:	Not Applicable	Mounting Arrangement:	F1
Agency Approvals:	CSA	Power Factor:	85
	UR	Product Family:	General Purpose
Auxillary Box:	No Auxillary Box	Pulley End Bearing Type:	Ball
Auxillary Box Lead Termination:	None	Pulley Face Code:	Standard
Base Indicator:	Rigid	Pulley Shaft Indicator:	Standard
Bearing Grease Type:	Polyrex EM (-20F +300F)	Rodent Screen:	None
Blower:	None	RoHS Status:	ROHS COMPLIANT
Current @ Voltage:	16.000 A @ 115.0 V	Shaft Extension Location:	Pulley End

	8.000 A @ 230.0 V	Shaft Ground Indicator:	No Shaft Grounding
	8.400 A @ 208.0 V	Shaft Rotation:	Reversible
Design Code:	L	Shaft Slinger Indicator:	No Slinger
Drip Cover:	No Drip Cover	Speed Code:	Single Speed
Duty Rating:	CONT	Motor Standards:	NEMA
Electrically Isolated Bearing:	Not Electrically Isolated	Starting Method:	Direct on line
Feedback Device:	NO FEEDBACK	Thermal Device - Bearing:	NONE (OLD)
Front Face Code:	Standard	Thermal Device - Winding:	None
Front Shaft Indicator:	None	Vibration Sensor Indicator:	No Vibration Sensor
Heater Indicator:	No Heater	Winding Thermal 1:	None
		Winding Thermal 2:	None

Nameplate NP1256L											
CAT.NO.	L3513										
SPEC.	35J383Y748										
HP	1.5										
VOLTS	115/230										
AMP	16/8										
RPM	3450										
FRAME	56/56H					HZ	60			PH	1
SER.F.	1.15				CODE	J	DES	L		CLASS	B
NEMA-NOM-EFF	70				PF	85					
RATING	40C AMB-CONT										
CC									USABLE AT 208V	8.4	
DE	6205					ODE	6203				
ENCL	TEFC				SN						

Parts List		
Part Number	Description	Quantity
SA025942	SA 35J383Y748	1.000 EA
RA021992	RA 35J383Y748	1.000 EA
EC1645A06SP	ELEC CAP, 645-774 MFD, 125V, 2.06D X 4.	1.000 EA
NS2512A01	INSULATOR, CONDUIT BOX X	1.000 EA
35CB3007	35 CB CASTING W/.88 DIA. LEAD HOLE	1.000 EA
36GS1000SP	GASKET-CONDUIT BOX, .06 THICK #SV-330 LE	1.000 EA
51XB1016A07	10-16 X 7/16 HXWSSLD SERTYB	2.000 EA
11XW1032G06	10-32 X .38, TAPTITE II, HEX WSHR SLTD U	1.000 EA
51XW0832A07	8-32 X .44, TAPTITE II, HEX WSHR SLTD SE	2.000 EA
35EP3122K00	MASTER ODE,203 BRG,.683SH,#26 DRN,FH MTG	1.000 EA
35CB4802A02SP	CAPACITOR COVER, STAMPED X	1.000 EA
35GS3001A02	GASKET, CA.COVER, 5.38 LONG .06 CS301	1.000 EA
51XB1016A05	10-16X5/16HX WA SL SR TYB (F/S)	2.000 EA
HW5100A03	WAVY WASHER (W1543-017)	1.000 EA
35EP3123A00	MASTER DE,205 BRG,.998SH,#26 DRN	1.000 EA
XY1032A02	10-32 HEX NUT DIRECTIONAL SERRATION	4.000 EA
35FH4005A32SP	IEC FH NO GRSR W/3 HOLES - PRIMED	1.000 EA
51XW1032A06	10-32 X .38, TAPTITE II, HEX WSHR SLTD S	3.000 EA
35CB4521GX	CONDUIT BOX LID KIT **ORDER INDIV PARTS	1.000 EA
51XW0832A07	8-32 X .44, TAPTITE II, HEX WSHR SLTD SE	4.000 EA
HW2501D13	KEY, 3/16 SQ X 1.375	1.000 EA
HA7000A04	KEY RETAINER 0.625 DIA SHAFTS	1.000 EA
85XU0407S04	4X1/4 U DRIVE PIN STAINLESS	2.000 EA
WD1000A16	2-520128-2 AMP FLAG TERMINAL(4M/RL)	1.000 EA

Parts List (continued)		
Part Number	Description	Quantity
MJ1000A02	GREASE, POLYREX EM EXXON (USe 4824-15A)	0.050 LB
34FN3002A01SP	EXTERNAL FAN, PLASTIC, .637/.639 HUB W/	1.000 EA
MG1000G27	MED CHARCOAL METALLIC GREY 400-0096	0.017 GA
HA3100A18	THRUBOLT 10-32 X 9.250	4.000 EA
SP5055A67	MODEL 35 TYPE L STATIONARY SWITCH	1.000 EA
LC0001A01	CONN LABEL / WARNING LABEL (LC0001 / LB1	1.000 EA
NP1256L	ALUM UL CSA CC INDUSTRIAL MOTOR A60	1.000 EA
36PA1000	PKG GRP, PRINT PK1016A06	1.000 EA
FE-0000001	ZRTG FE ASSEMBLY	1.000 EA
PE-0000001	ZRTG PE ASSEMBLY	1.000 EA
MN416A01	TAG-INSTAL-MAINT no wire (1200/bx) 5/18	1.000 EA

Accessories		
Part Number	Description	Multiplier
35-8762	C FACE KIT	A8
35EP1506A01SP	D-FLANGE KIT	A8

AC Induction Motor Performance Data

Record # 10315 - Typical performance - not guaranteed values

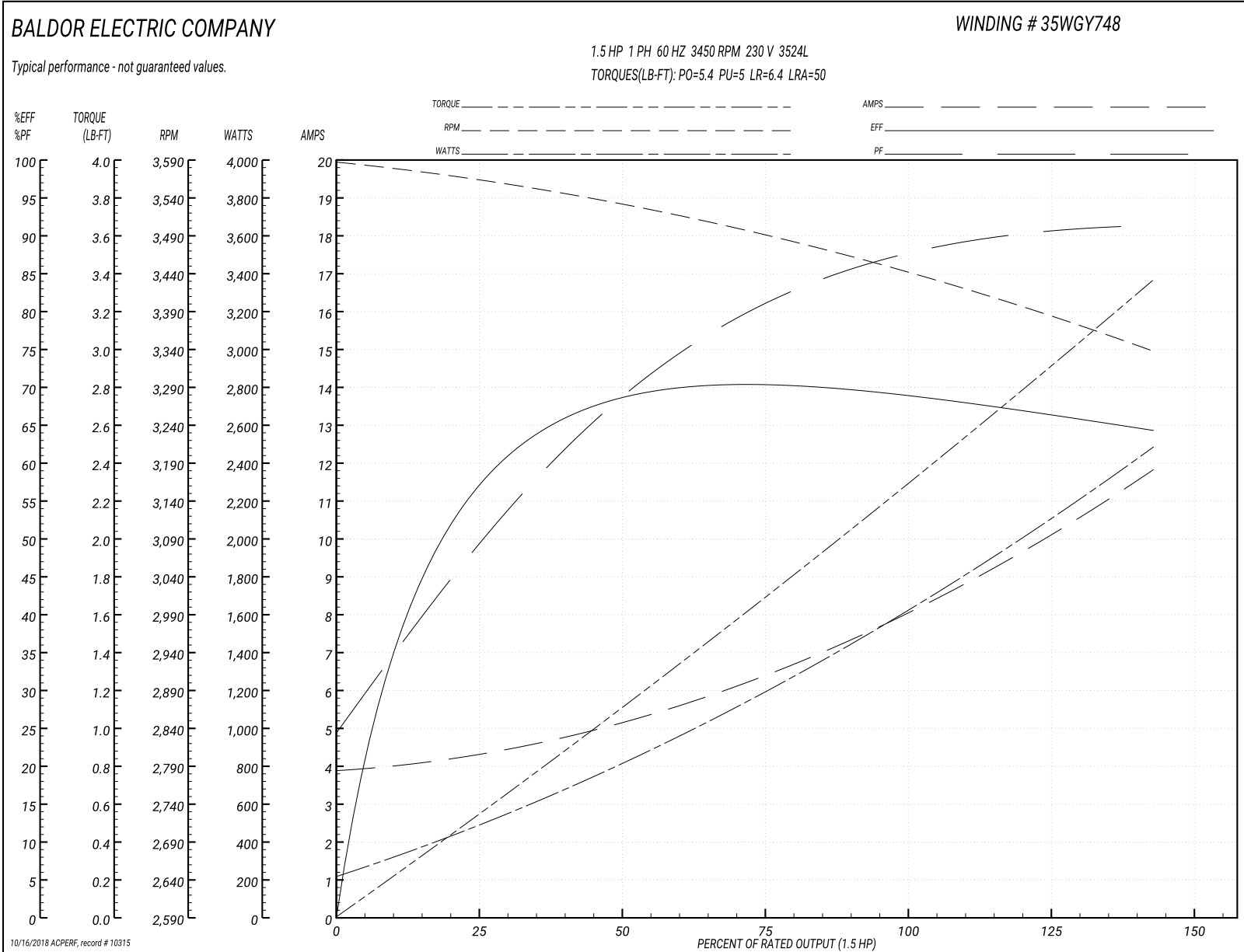
Winding: 35WGY748-R001	Type: 3524L	Enclosure: TEFC
-------------------------------	--------------------	------------------------

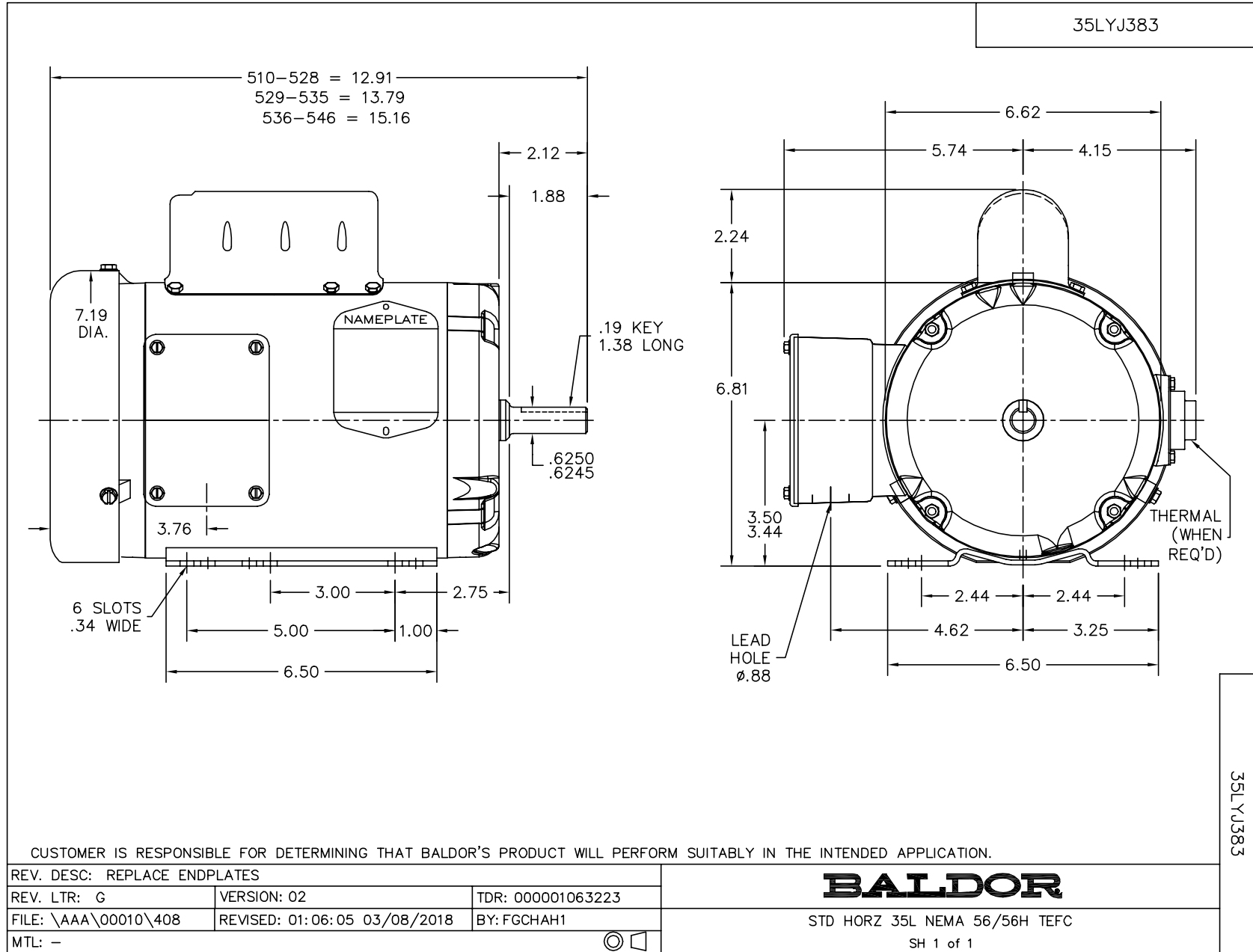
Nameplate Data				230 V, 60 Hz: High Voltage Connection	
Rated Output (HP)	1.5			Full Load Torque	2.25 LB-FT
Volts	115/230			Start Configuration	direct on line
Full Load Amps	16/8			Breakdown Torque	5.4 LB-FT
R.P.M.	3450			Pull-up Torque	5 LB-FT
Hz	60	Phase	1	Locked-rotor Torque	6.4 LB-FT
NEMA Design Code	L	KVA Code	J	Starting Current	50 A
Service Factor (S.F.)	1.15			No-load Current	3.9 A
NEMA Nom. Eff.	70	Power Factor	85	Line-line Res. @ 25°C	1.58 Ω A Ph 1.29 Ω B Ph
Rating - Duty	40C AMB-CONT			Temp. Rise @ Rated Load	80°C
S.F. Amps				Temp. Rise @ S.F. Load	90°C

Load Characteristics 230 V, 60 Hz, 1.5 HP

% of Rated Load	25	50	75	100	125	150	S.F.
Power Factor	50	68	78	85	89	90	87
Efficiency	56	68	70	70	67	64	69.5
Speed	3560	3530	3490	3450	3395	3335	3430
Line amperes	4.3	5.2	6.3	8	9.8	11.8	9

Performance Graph at 230V, 60Hz, 1.5HP Typical performance - Not guaranteed values





CD0001



REV. DESC: REVISE TO SHOW OPTIONAL COLORS			
REV. LTR: D	BY: JLP	REVISED: 04/08/99 1:16	TDR: 0178636
100000		FILE: AAA00007405	MDL: -
		MTL: -	

BALDOR ELECTRIC Co.

TYPE L, DV, REV, 6 LEADS

CD0001