

BALDOR® • RELIANCE 

Product Information Packet

L3514-50

1.5HP, 1425RPM, 1PH, 50HZ, 56, 3535LC, TEFC, F1

Part Detail							
Revision:	AS	Status:	PRD/A	Change #:		Proprietary:	No
Type:	AC	Elec. Spec:	35WGY989	CD Diagram:	CD0055	Mfg Plant:	
Mech. Spec:	35E008	Layout:	35LYE008	Poles:	04	Created Date:	
Base:	RG	Eff. Date:	03-06-2018	Leads:	4#16 A PH,2#18 B PH		

Specs			
Catalog Number:	L3514-50	Insulation Class:	F
Enclosure:	TEFC	Inverter Code:	Not Inverter
Frame:	56	KVA Code:	H
Frame Material:	Steel	Lifting Lugs:	No Lifting Lugs
Output @ Frequency:	1.500 HP @ 50 HZ	Locked Bearing Indicator:	No Locked Bearing
Synchronous Speed @ Frequency:	1500 RPM @ 50 HZ	Motor Lead Quantity/Wire Size:	4 @ 16 AWG, A PH
Voltage @ Frequency:	220.0 V @ 50 HZ	Motor Lead Exit:	Ko Box
	110.0 V @ 50 HZ	Motor Lead Termination:	Flying Leads
XP Class and Group:	None	Motor Type:	3535LC
XP Division:	Not Applicable	Mounting Arrangement:	F1
Agency Approvals:	UR	Power Factor:	88
	WEEE	Product Family:	General Purpose
	CSA	Pulley End Bearing Type:	Ball
	CE	Pulley Face Code:	Standard
Auxillary Box:	No Auxillary Box	Pulley Shaft Indicator:	Standard
Auxillary Box Lead Termination:	None	Rodent Screen:	None
Base Indicator:	Rigid	RoHS Status:	ROHS COMPLIANT
Bearing Grease Type:	Polyrex EM (-20F +300F)	Shaft Extension Location:	Pulley End

Blower:	None	Shaft Ground Indicator:	No Shaft Grounding
Current @ Voltage:	16.000 A @ 110.0 V	Shaft Rotation:	Reversible
	8.000 A @ 220.0 V	Shaft Slinger Indicator:	No Slinger
Design Code:	L	Speed Code:	Single Speed
Drip Cover:	No Drip Cover	Motor Standards:	NEMA
Duty Rating:	CONT	Starting Method:	Direct on line
Electrically Isolated Bearing:	Not Electrically Isolated	Thermal Device - Bearing:	NONE (OLD)
Feedback Device:	NO FEEDBACK	Thermal Device - Winding:	None
Front Face Code:	Standard	Vibration Sensor Indicator:	No Vibration Sensor
Front Shaft Indicator:	None	Winding Thermal 1:	None
Heater Indicator:	No Heater	Winding Thermal 2:	None

Nameplate NP1372L										
CAT.NO.	L3514-50									
SPEC.	35E08Y989									
HP	1.5									
VOLTS	110/220									
AMP	16/8									
RPM	1425									
FRAME	56					HZ	50		PH	1
SER.F.	1.15					CODE	H		DES	L
NEMA-NOM-EFF	73					PF	88		CL	F
RATING	40C AMB-CONT									
CC									USABLE AT 208V	
DE	6205					ODE	6203			
ENCL	TEFC					SN				
	IP54									

Parts List		
Part Number	Description	Quantity
SA023783	SA 35E08Y989	1.000 EA
RA019833	RA 35E08Y989	1.000 EA
OC3040F18SP	7YL OIL CAP 40MFD/370V	1.000 EA
EC1850A06SP	ELEC CAP 115V 2.0 X 4.3 X	1.000 EA
WD3006A01	RSS-2-103JT 2W 10K RES. METAL OXIDE 5%	1.000 EA
NS2512A01	INSULATOR, CONDUIT BOX X	1.000 EA
35CB3007	35 CB CASTING W/.88 DIA. LEAD HOLE	1.000 EA
36GS1000SP	GASKET-CONDUIT BOX, .06 THICK #SV-330 LE	1.000 EA
51XB1016A07	10-16 X 7/16 HXWSSLD SERTYB	2.000 EA
11XW1032G06	10-32 X .38, TAPTITE II, HEX WSHR SLTD U	1.000 EA
35EP3122K00	MASTER ODE,203 BRG,.683SH,#26 DRN,FH MTG	1.000 EA
51XW0832A07	8-32 X .44, TAPTITE II, HEX WSHR SLTD SE	2.000 EA
35CB3801	CAPACITOR COVER, CAST	1.000 EA
NS2501A02	INSULATOR, CAPACITOR BOX	1.000 EA
HA7010	CAPACITOR RETENTION CLAMP	1.000 EA
34GS3002	GASKET, CAPACITOR BOX	1.000 EA
51XB1016A08	10-16X 1/2HXWSSLD SERTYB	2.000 EA
HW5100A03	WAVY WASHER (W1543-017)	1.000 EA
35EP3123A00	MASTER DE,205 BRG,.998SH,#26 DRN	1.000 EA
XY1032A02	10-32 HEX NUT DIRECTIONAL SERRATION	4.000 EA
35FN3002A05SP	EXFN, PLASTIC, 6.376 OD, .638 ID	1.000 EA
51XB1214A16	12-14X1.00 HXWSSLD SERTYB	1.000 EA
35FH4005A32SP	IEC FH NO GR SR W/3 HOLES - PRIMED	1.000 EA
51XW1032A06	10-32 X .38, TAPTITE II, HEX WSHR SLTD S	3.000 EA

Parts List (continued)		
Part Number	Description	Quantity
35CB4521GX	CONDUIT BOX LID KIT **ORDER INDIV PARTS	1.000 EA
51XW0832A07	8-32 X .44, TAPTITE II, HEX WSHR SLTD SE	4.000 EA
HW2501D13	KEY, 3/16 SQ X 1.375	1.000 EA
HA7000A04	KEY RETAINER 0.625 DIA SHAFTS	1.000 EA
85XU0407S04	4X1/4 U DRIVE PIN STAINLESS	2.000 EA
MJ1000A02	GREASE, POLYREX EM EXXON (USe 4824-15A)	0.050 LB
MG1000G27	MED CHARCOAL METALLIC GREY 400-0096	0.017 GA
WD1000A15	3-520132-2 AMP FLAG (4M/RL NON-CANC/NON-	4.000 EA
HA3100A22	THRUBOLT 10-32 X 10.125	4.000 EA
HA4067A01	PUSH IN DRAIN FITTING (BLACK)	1.000 EA
HA4067A01	PUSH IN DRAIN FITTING (BLACK)	1.000 EA
MN416A01	TAG-INSTAL-MAINT no wire (1200/bx) 5/18	1.000 EA
NP1372L	ALUM UL CSA CE CC	1.000 EA
SP5181A01	MODEL 35 LC TORQ STAT SWITCH LEAD ASSY	1.000 EA
LB1119N	WARNING LABEL	1.000 EA
LC0001	CONN LABEL TYPE L, 6 LEAD, DUAL VOLTS, R	1.000 EA
35PA1066	PKG GRP, PRINT PK1008A06	1.000 EA
FE-0000001	ZRTG FE ASSEMBLY	1.000 EA
PE-0000001	ZRTG PE ASSEMBLY	1.000 EA

Accessories		
Part Number	Description	Multiplier
35-8762	C FACE KIT	A8
35EP1506A01SP	D-FLANGE KIT	A8

AC Induction Motor Performance Data
Record # 61907 - Typical performance - not guaranteed values

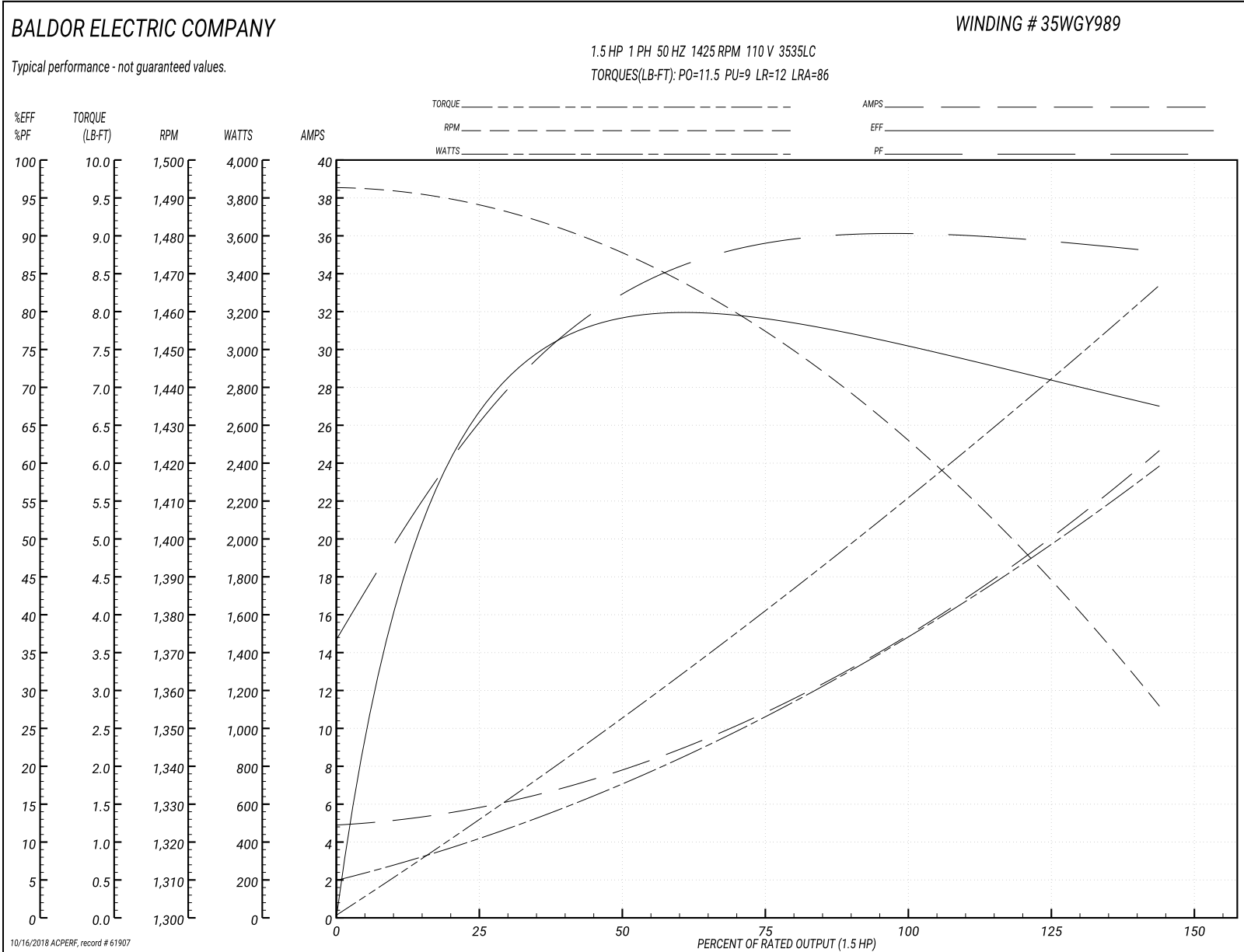
Winding: 35WGY989-R007	Type: 3535LC	Enclosure: TEFC
-------------------------------	---------------------	------------------------

Nameplate Data				110 V, 50 Hz: Low Voltage Connection	
Rated Output (HP)	1.5			Full Load Torque	5.6 LB-FT
Volts	110/220			Start Configuration	direct on line
Full Load Amps	16/8			Breakdown Torque	11.5 LB-FT
R.P.M.	1425			Pull-up Torque	9 LB-FT
Hz	50	Phase	1	Locked-rotor Torque	12 LB-FT
NEMA Design Code	L	KVA Code	H	Starting Current	86 A
Service Factor (S.F.)	1.15			No-load Current	4.7 A
NEMA Nom. Eff.	73	Power Factor	88	Line-line Res. @ 25°C	0.549 Ω A Ph 1.92 Ω B Ph
Rating - Duty	40C AMB-CONT			Temp. Rise @ Rated Load	74°C
S.F. Amps				Temp. Rise @ S.F. Load	94°C
				Locked-rotor Power Factor	86.5
				Rotor inertia	0.208 LB-FT ²

Load Characteristics 110 V, 50 Hz, 1.5 HP

% of Rated Load	25	50	75	100	125	150	S.F.
Power Factor	71	86	83	92	91	87	91
Efficiency	63.6	75.6	78.2	77.1	73.5	65.9	74.9
Speed	1484	1469	1451	1429	1399	1348	1411
Line amperes	5.92	8.19	12.1	14.5	18.9	25.5	17.1

Performance Graph at 110V, 50Hz, 1.5HP Typical performance - Not guaranteed values



AC Induction Motor Performance Data

Record # 70099 - Typical performance - not guaranteed values

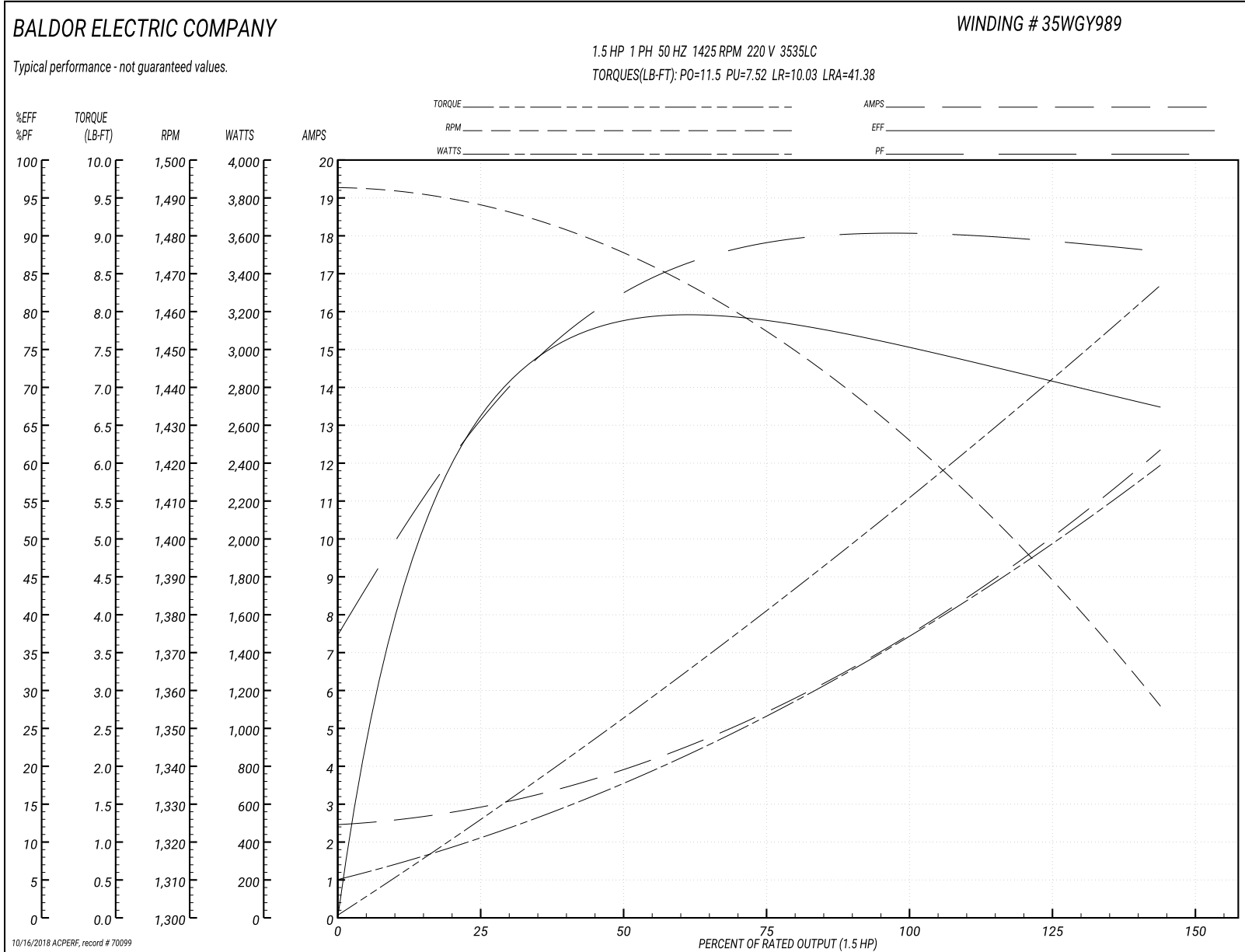
Winding: 35WGY989-R007	Type: 3535LC	Enclosure: TEFC
-------------------------------	---------------------	------------------------

Nameplate Data				220 V, 50 Hz: High Voltage Connection	
Rated Output (HP)	1.5			Full Load Torque	5.6 LB-FT
Volts	110/220			Start Configuration	direct on line
Full Load Amps	16/8			Breakdown Torque	11.5 LB-FT
R.P.M.	1425			Pull-up Torque	7.52 LB-FT
Hz	50	Phase	1	Locked-rotor Torque	10.03 LB-FT
NEMA Design Code	L	KVA Code	H	Starting Current	41.38 A
Service Factor (S.F.)	1.15			No-load Current	2.36 A
NEMA Nom. Eff.	73	Power Factor	88	Line-line Res. @ 25°C	0.549 Ω A Ph 1.92 Ω B Ph
Rating - Duty	40C AMB-CONT			Temp. Rise @ Rated Load	75°C
S.F. Amps				Temp. Rise @ S.F. Load	95°C
				Locked-rotor Power Factor	84
				Rotor inertia	0.208 LB-FT ²

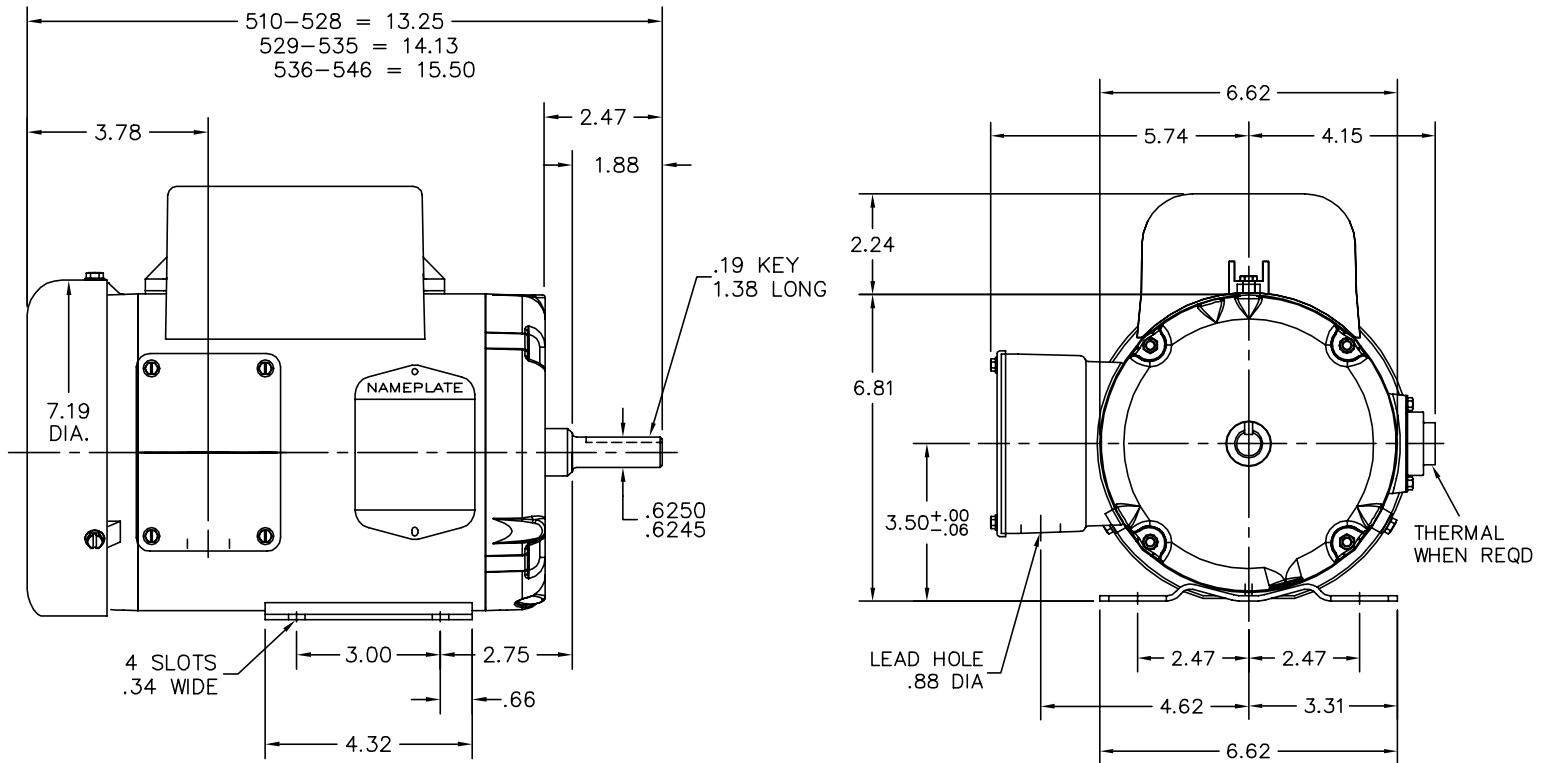
Load Characteristics 220 V, 50 Hz, 1.5 HP

% of Rated Load	25	50	75	100	125	150	S.F.
Power Factor	71	86	83	92	91	87	91
Efficiency	63	75.3	78	76.9	73.3	65.8	74.7
Speed	1484	1469	1451	1429	1399	1348	1411
Line amperes	2.97	4.11	6.06	7.26	9.47	12.77	8.59

Performance Graph at 220V, 50Hz, 1.5HP Typical performance - Not guaranteed values



35LYE008



CUSTOMER IS RESPONSIBLE FOR DETERMINING THAT BALDOR'S PRODUCT WILL PERFORM SUITABLY IN THE INTENDED APPLICATION.

REV. DESC: REPLACE ENDPLATES		
REV. LTR: M	VERSION: 05	TDR: 000001063223
FILE: \AAA\00014\032	REVISED: 01:42:40 03/07/2018	BY: USJOBUR22
MTL: -	⊙ ⊐	

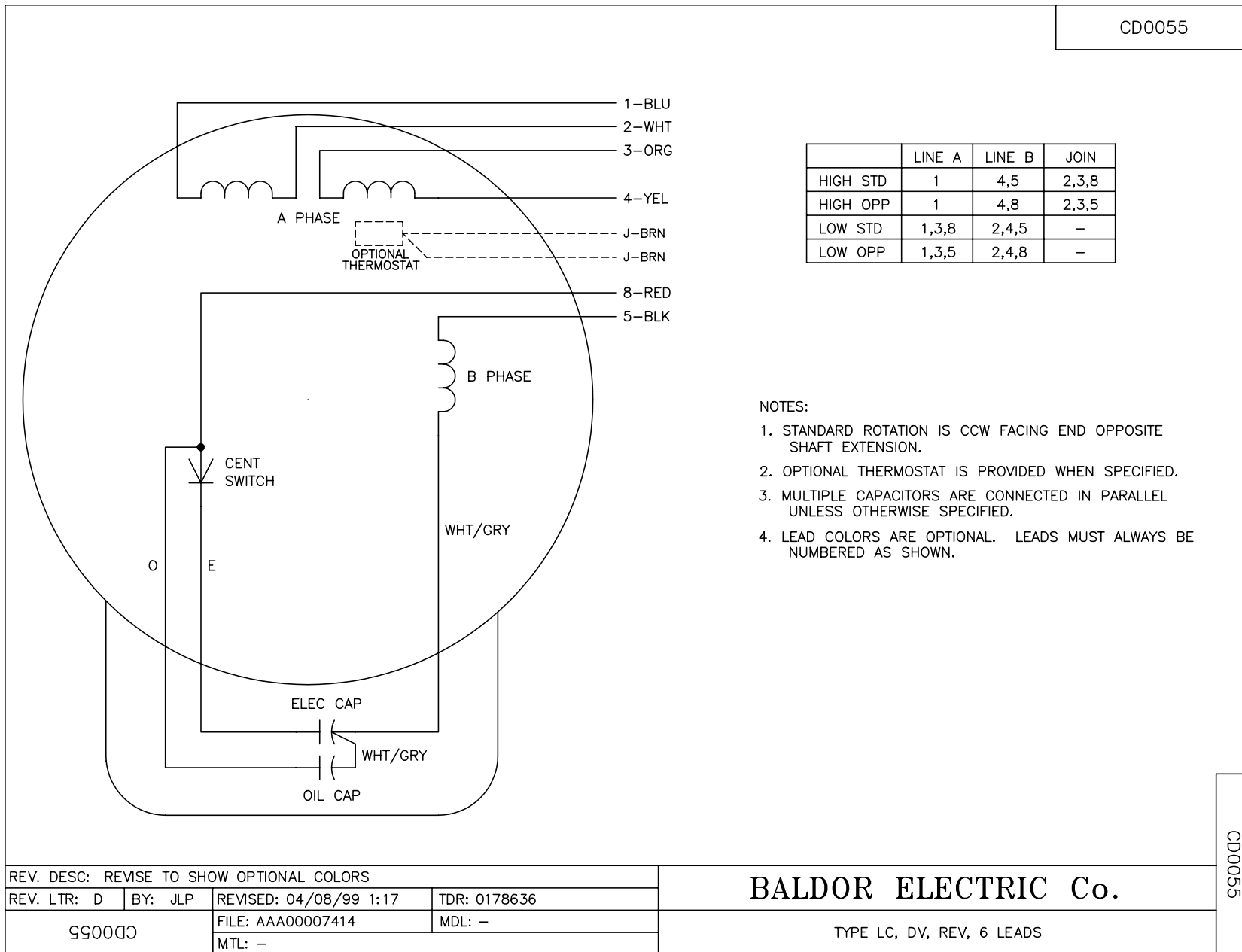
BALDOR

STD HORZ 56 TEFC 35LC

SH 1 of 1

35LYE008

CD0055



NOTES:

1. STANDARD ROTATION IS CCW FACING END OPPOSITE SHAFT EXTENSION.
2. OPTIONAL THERMOSTAT IS PROVIDED WHEN SPECIFIED.
3. MULTIPLE CAPACITORS ARE CONNECTED IN PARALLEL UNLESS OTHERWISE SPECIFIED.
4. LEAD COLORS ARE OPTIONAL. LEADS MUST ALWAYS BE NUMBERED AS SHOWN.

REV. DESC: REVISE TO SHOW OPTIONAL COLORS			
REV. LTR: D	BY: JLP	REVISED: 04/08/99 1:17	TDR: 0178636
99000		FILE: AAA00007414	MDL: -
CD0055		MTL: -	

BALDOR ELECTRIC Co.

TYPE LC, DV, REV, 6 LEADS

CD0055