

**BALDOR® • RELIANCE** 

**Product Information Packet**

**L3514T-50**

**1.5HP, 1425RPM, 1PH, 50HZ, 145T, 3535LC, TEFC**

Part Detail							
Revision:	L	Status:	PRD/A	Change #:		Proprietary:	No
Type:	AC	Elec. Spec:	35WGY989	CD Diagram:	CD0055	Mfg Plant:	
Mech. Spec:	35EE001	Layout:	35LYEE001	Poles:	04	Created Date:	12-22-2009
Base:	RG	Eff. Date:	03-14-2018	Leads:	4#16 A PH,2#18 B PH		

Specs			
Catalog Number:	L3514T-50	Insulation Class:	F
Enclosure:	TEFC	Inverter Code:	Not Inverter
Frame:	145T	KVA Code:	H
Frame Material:	Steel	Lifting Lugs:	No Lifting Lugs
Output @ Frequency:	1.500 HP @ 50 HZ	Locked Bearing Indicator:	No Locked Bearing
Synchronous Speed @ Frequency:	1500 RPM @ 50 HZ	Motor Lead Quantity/Wire Size:	4 @ 16 AWG, A PH
Voltage @ Frequency:	220.0 V @ 50 HZ	Motor Lead Exit:	Ko Box
	110.0 V @ 50 HZ	Motor Lead Termination:	Flying Leads
XP Class and Group:	None	Motor Type:	3535LC
XP Division:	Not Applicable	Mounting Arrangement:	F1
Agency Approvals:	UR	Power Factor:	88
	WEEE	Product Family:	General Purpose
	CSA	Pulley End Bearing Type:	Ball
	CE	Pulley Face Code:	Standard
Auxillary Box:	No Auxillary Box	Pulley Shaft Indicator:	Standard
Auxillary Box Lead Termination:	None	Rodent Screen:	None
Base Indicator:	Rigid	RoHS Status:	ROHS COMPLIANT
Bearing Grease Type:	Polyrex EM (-20F +300F)	Shaft Extension Location:	Pulley End

<b>Blower:</b>	None	<b>Shaft Ground Indicator:</b>	No Shaft Grounding
<b>Current @ Voltage:</b>	16.000 A @ 110.0 V	<b>Shaft Rotation:</b>	Reversible
	8.000 A @ 220.0 V	<b>Shaft Slinger Indicator:</b>	No Slinger
<b>Design Code:</b>	L	<b>Speed Code:</b>	Single Speed
<b>Drip Cover:</b>	No Drip Cover	<b>Motor Standards:</b>	NEMA
<b>Duty Rating:</b>	CONT	<b>Starting Method:</b>	Direct on line
<b>Electrically Isolated Bearing:</b>	Not Electrically Isolated	<b>Thermal Device - Bearing:</b>	NONE (OLD)
<b>Feedback Device:</b>	NO FEEDBACK	<b>Thermal Device - Winding:</b>	None
<b>Front Face Code:</b>	Standard	<b>Vibration Sensor Indicator:</b>	No Vibration Sensor
<b>Front Shaft Indicator:</b>	None	<b>Winding Thermal 1:</b>	None
<b>Heater Indicator:</b>	No Heater	<b>Winding Thermal 2:</b>	None

Nameplate NP1372L										
CAT.NO.	L3514T-50									
SPEC.	35EE001Y989G1									
HP	1.5									
VOLTS	110/220									
AMP	16/8									
RPM	1425									
FRAME	145T				HZ	50			PH	1
SER.F.	1.15		CODE	H	DES	L		CL	F	
NEMA-NOM-EFF	73		PF	88						
RATING	40C AMB-CONT									
CC									USABLE AT 208V	
DE	6205				ODE	6203				
ENCL	TEFC		SN							
	IP54									

Parts List		
Part Number	Description	Quantity
SA189056	SA 35EE001Y989G1	1.000 EA
RA176775	RA 35EE001Y989G1	1.000 EA
OC3040F18SP	7YL OIL CAP 40MFD/370V	1.000 EA
EC1850A06SP	ELEC CAP 115V 2.0 X 4.3 X	1.000 EA
WD3006A01	RSS-2-103JT 2W 10K RES. METAL OXIDE 5%	1.000 EA
NS2512A01	INSULATOR, CONDUIT BOX X	1.000 EA
35CB3009	35 CB W/1.09 DIA. LEAD HOLE @ 6:	1.000 EA
36GS1000SP	GASKET-CONDUIT BOX, .06 THICK #SV-330 LE	1.000 EA
51XB1016A07	10-16 X 7/16 HXWSSLD SERTYB	2.000 EA
11XW1032G06	10-32 X .38, TAPTITE II, HEX WSHR SLTD U	1.000 EA
35EP3122A00	MASTER ODE,203 BRG,.683SH,#26 DRN,GRSR,F	1.000 EA
HW4500A01	1641B(ALEMITE)400 UNIV, GREASE FITT	1.000 EA
51XW0832A07	8-32 X .44, TAPTITE II, HEX WSHR SLTD SE	2.000 EA
35CB3801	CAPACITOR COVER, CAST	1.000 EA
34GS3002	GASKET, CAPACITOR BOX	1.000 EA
HA7010	CAPACITOR RETENTION CLAMP	1.000 EA
NS2501A02	INSULATOR, CAPACITOR BOX	1.000 EA
51XB1016A08	10-16X 1/2HXWSSLD SERTYB	2.000 EA
HW5100A03	WAVY WASHER (W1543-017)	1.000 EA
35EP3123F00	MASTER DE,205 BRG,.998SH,#26 DRN,GRSR	1.000 EA
HW4500A01	1641B(ALEMITE)400 UNIV, GREASE FITT	1.000 EA
XY1032A02	10-32 HEX NUT DIRECTIONAL SERRATION	4.000 EA
51XB1214A16	12-14X1.00 HXWSSLD SERTYB	1.000 EA
35FH4005A84SP	IEC FH W/GRSR, NO DIMPLES PRIMED	1.000 EA

Parts List (continued)		
Part Number	Description	Quantity
51XW1032A06	10-32 X .38, TAPTITE II, HEX WSHR SLTD S	3.000 EA
35CB4521GX	CONDUIT BOX LID KIT **ORDER INDIV PARTS	1.000 EA
51XW0832A07	8-32 X .44, TAPTITE II, HEX WSHR SLTD SE	4.000 EA
HW2501D13	KEY, 3/16 SQ X 1.375	1.000 EA
HA7000A01	KEY RETAINER 7/8" DIA SHAFT	1.000 EA
85XU0407S04	4X1/4 U DRIVE PIN STAINLESS	2.000 EA
MJ1000A02	GREASE, POLYREX EM EXXON (USe 4824-15A)	0.050 LB
MG1000G27	MED CHARCOAL METALLIC GREY 400-0096	0.017 GA
WD1000A15	3-520132-2 AMP FLAG (4M/RL NON-CANC/NON-	4.000 EA
35FN3002A05SP	EXFN, PLASTIC, 6.376 OD, .638 ID	1.000 EA
HA3100A22	THRUBOLT 10-32 X 10.125	4.000 EA
HA4067A01	PUSH IN DRAIN FITTING (BLACK)	1.000 EA
HA4067A01	PUSH IN DRAIN FITTING (BLACK)	1.000 EA
MN416A01	TAG-INSTAL-MAINT no wire (1200/bx) 5/18	1.000 EA
SP5181A01	MODEL 35 LC TORQ STAT SWITCH LEAD ASSY	1.000 EA
LB1119N	WARNING LABEL	1.000 EA
LC0001	CONN LABEL TYPE L, 6 LEAD, DUAL VOLTS, R	1.000 EA
NP1372L	ALUM UL CSA CE CC	1.000 EA
35PA1066	PKG GRP, PRINT PK1008A06	1.000 EA
PE-0000001	ZRTG PE ASSEMBLY	1.000 EA
FE-0000001	ZRTG FE ASSEMBLY	1.000 EA

<b>Accessories</b>		
<b>Part Number</b>	<b>Description</b>	<b>Multiplier</b>
35-8762	C FACE KIT	A8
35EP1506A01SP	D-FLANGE KIT	A8

**AC Induction Motor Performance Data**

Record # 61907 - Typical performance - not guaranteed values

<b>Winding:</b> 35WGY989-R007	<b>Type:</b> 3535LC	<b>Enclosure:</b> TEFC
-------------------------------	---------------------	------------------------

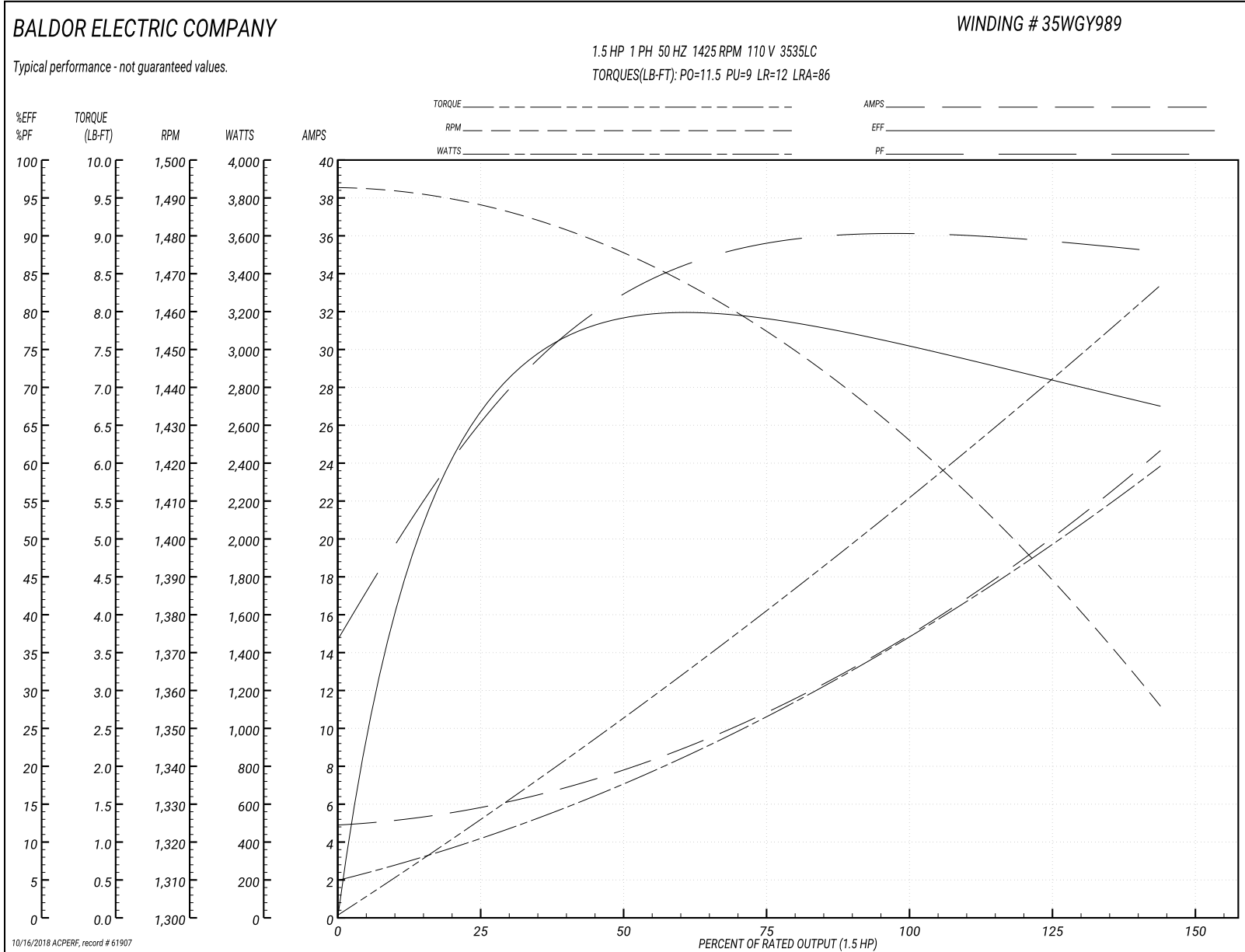
Nameplate Data				110 V, 50 Hz: Low Voltage Connection	
Rated Output (HP)	1.5			Full Load Torque	5.6 LB-FT
Volts	110/220			Start Configuration	direct on line
Full Load Amps	16/8			Breakdown Torque	11.5 LB-FT
R.P.M.	1425			Pull-up Torque	9 LB-FT
Hz	50	Phase	1	Locked-rotor Torque	12 LB-FT
NEMA Design Code	L	KVA Code	H	Starting Current	86 A
Service Factor (S.F.)	1.15			No-load Current	4.7 A
NEMA Nom. Eff.	73	Power Factor	88	Line-line Res. @ 25°C	0.549 Ω A Ph 1.92 Ω B Ph
Rating - Duty	40C AMB-CONT			Temp. Rise @ Rated Load	74°C
S.F. Amps				Temp. Rise @ S.F. Load	94°C
				Locked-rotor Power Factor	86.5
				Rotor inertia	0.208 LB-FT <sup>2</sup>

Load Characteristics 110 V, 50 Hz, 1.5 HP

% of Rated Load	25	50	75	100	125	150	S.F.
Power Factor	71	86	83	92	91	87	91
Efficiency	63.6	75.6	78.2	77.1	73.5	65.9	74.9
Speed	1484	1469	1451	1429	1399	1348	1411
Line amperes	5.92	8.19	12.1	14.5	18.9	25.5	17.1



Performance Graph at 110V, 50Hz, 1.5HP Typical performance - Not guaranteed values



**AC Induction Motor Performance Data**

Record # 70099 - Typical performance - not guaranteed values

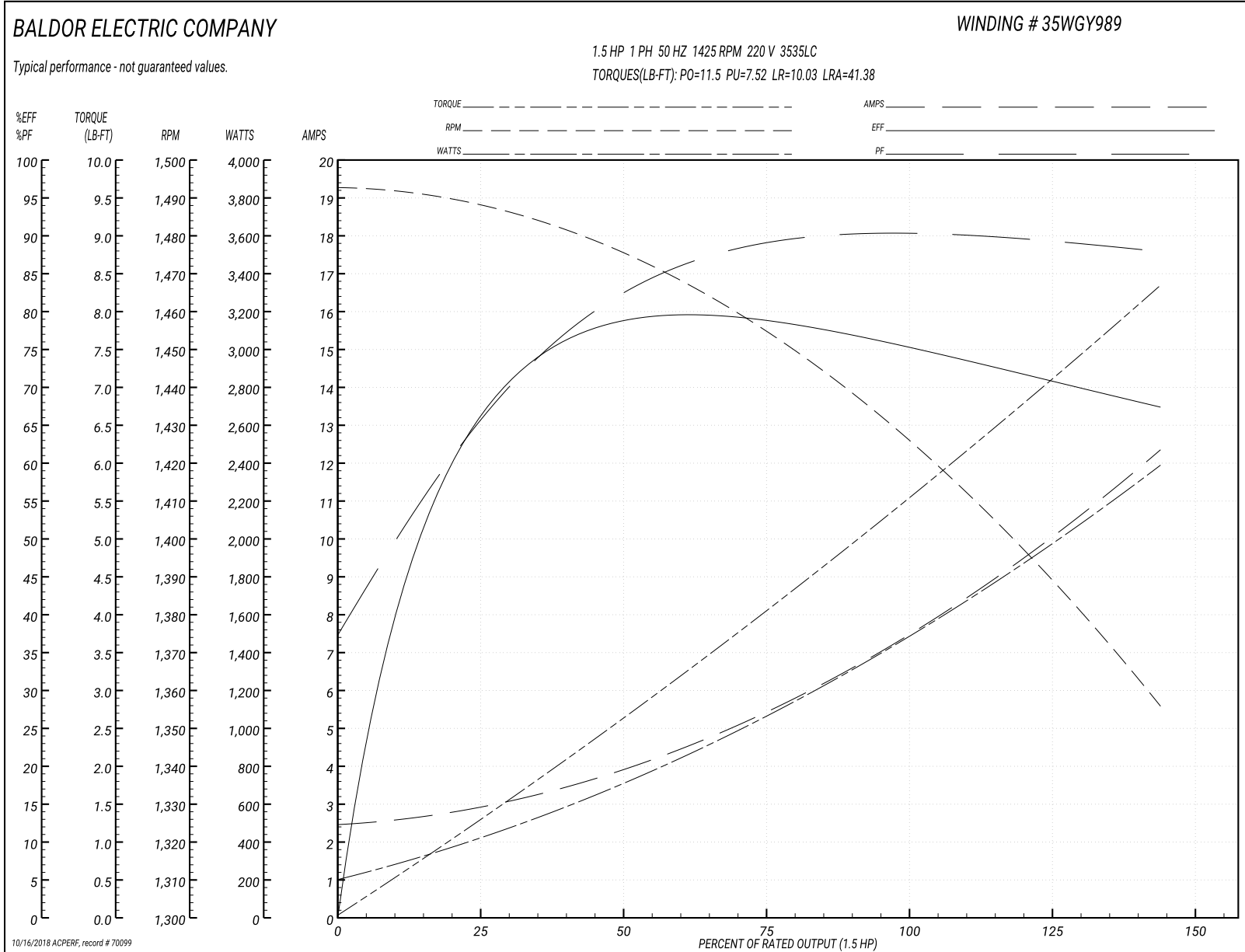
<b>Winding:</b> 35WGY989-R007	<b>Type:</b> 3535LC	<b>Enclosure:</b> TEFC
-------------------------------	---------------------	------------------------

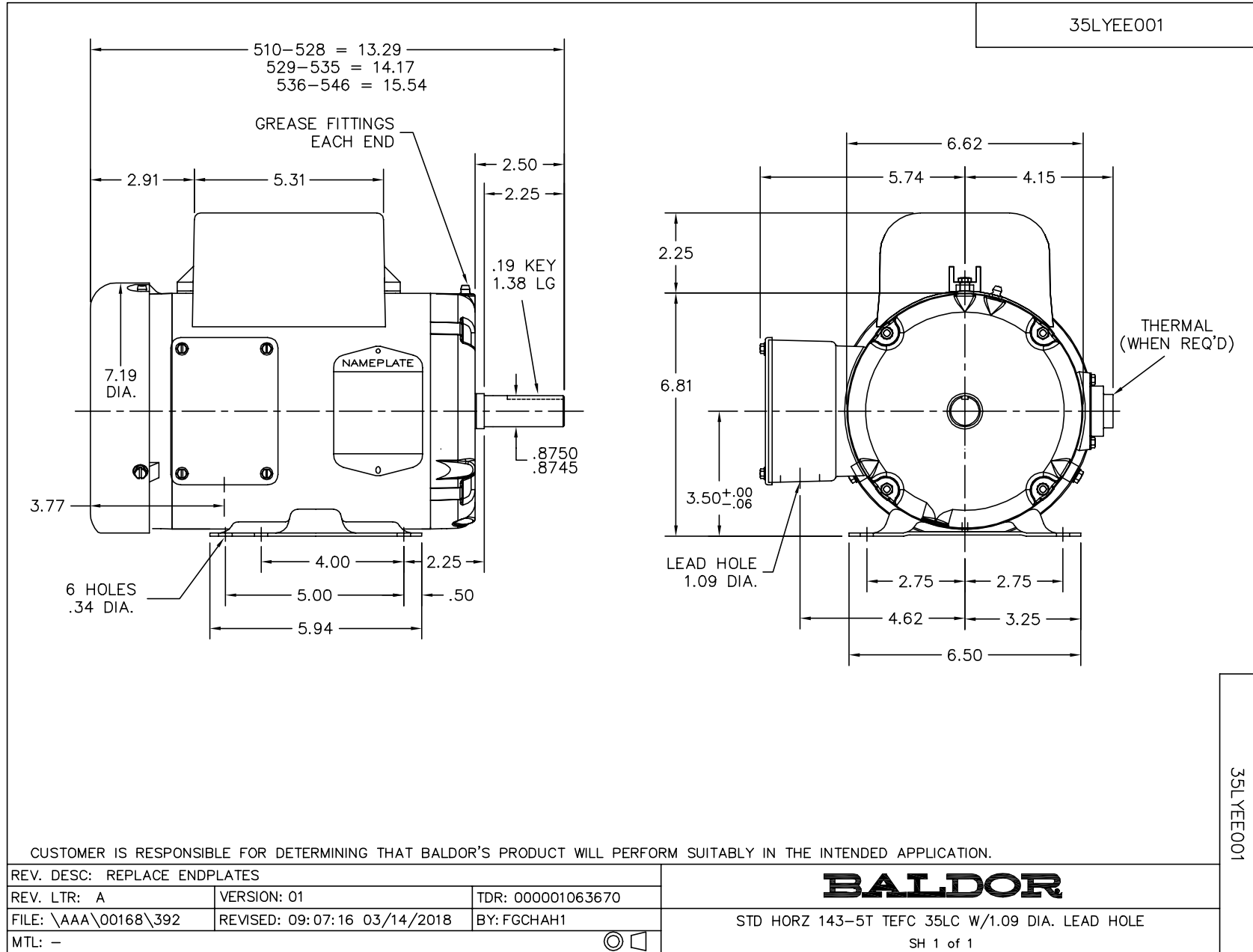
Nameplate Data				220 V, 50 Hz: High Voltage Connection	
Rated Output (HP)	1.5			Full Load Torque	5.6 LB-FT
Volts	110/220			Start Configuration	direct on line
Full Load Amps	16/8			Breakdown Torque	11.5 LB-FT
R.P.M.	1425			Pull-up Torque	7.52 LB-FT
Hz	50	Phase	1	Locked-rotor Torque	10.03 LB-FT
NEMA Design Code	L	KVA Code	H	Starting Current	41.38 A
Service Factor (S.F.)	1.15			No-load Current	2.36 A
NEMA Nom. Eff.	73	Power Factor	88	Line-line Res. @ 25°C	0.549 Ω A Ph 1.92 Ω B Ph
Rating - Duty	40C AMB-CONT			Temp. Rise @ Rated Load	75°C
S.F. Amps				Temp. Rise @ S.F. Load	95°C
				Locked-rotor Power Factor	84
				Rotor inertia	0.208 LB-FT <sup>2</sup>

Load Characteristics 220 V, 50 Hz, 1.5 HP

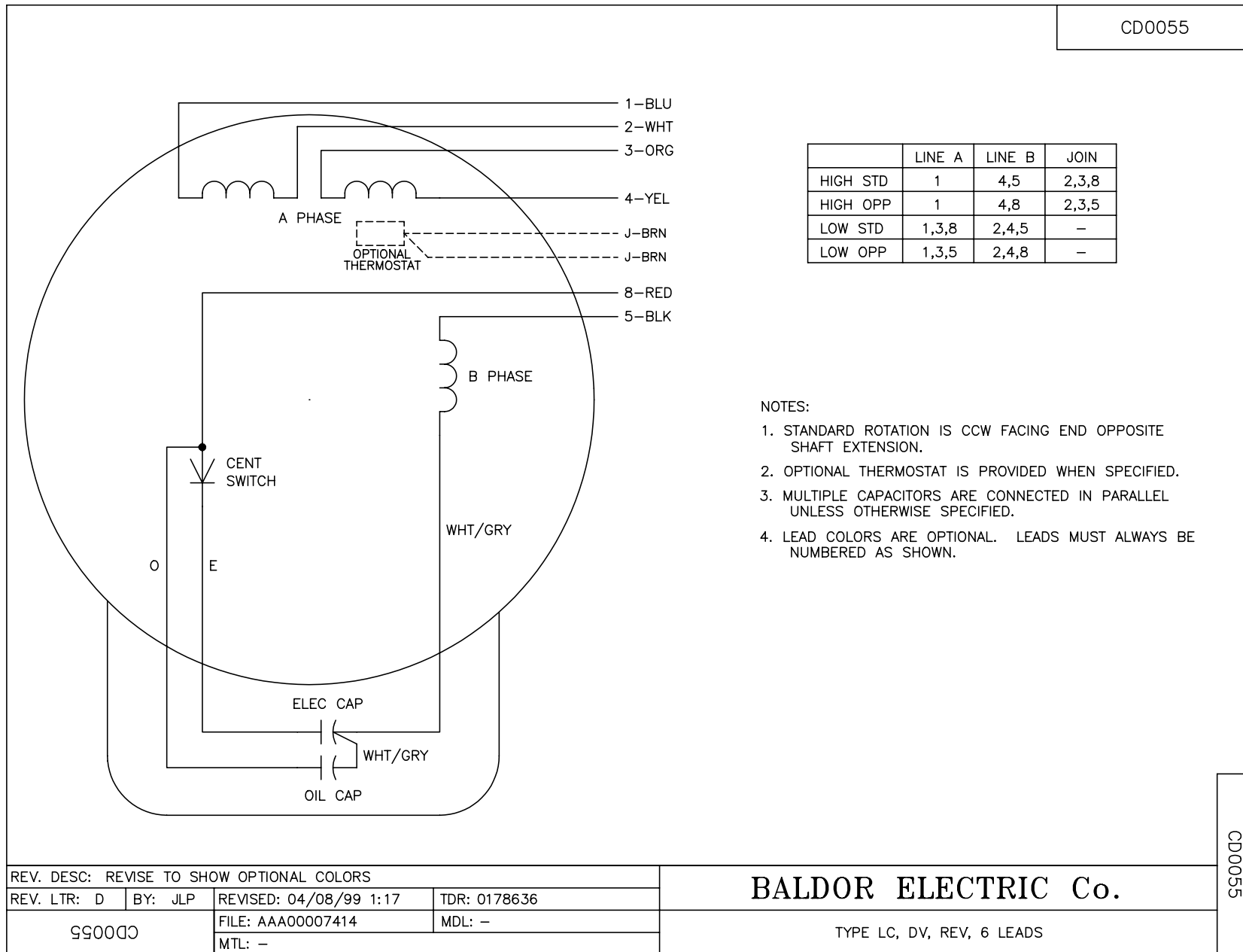
% of Rated Load	25	50	75	100	125	150	S.F.
Power Factor	71	86	83	92	91	87	91
Efficiency	63	75.3	78	76.9	73.3	65.8	74.7
Speed	1484	1469	1451	1429	1399	1348	1411
Line amperes	2.97	4.11	6.06	7.26	9.47	12.77	8.59

Performance Graph at 220V, 50Hz, 1.5HP Typical performance - Not guaranteed values





CD0055



NOTES:

1. STANDARD ROTATION IS CCW FACING END OPPOSITE SHAFT EXTENSION.
2. OPTIONAL THERMOSTAT IS PROVIDED WHEN SPECIFIED.
3. MULTIPLE CAPACITORS ARE CONNECTED IN PARALLEL UNLESS OTHERWISE SPECIFIED.
4. LEAD COLORS ARE OPTIONAL. LEADS MUST ALWAYS BE NUMBERED AS SHOWN.

REV. DESC: REVISE TO SHOW OPTIONAL COLORS			
REV. LTR: D	BY: JLP	REVISED: 04/08/99 1:17	TDR: 0178636
99000		FILE: AAA00007414	MDL: -
		MTL: -	

**BALDOR ELECTRIC Co.**

TYPE LC, DV, REV, 6 LEADS

CD0055