

**BALDOR® • RELIANCE** 

**Product Information Packet**

**L3605T**

**2HP, 1725RPM, 1PH, 60HZ, 182T, 3628L, TEFC, F1**

| Part Detail |        |             |            |             |                     |               |    |
|-------------|--------|-------------|------------|-------------|---------------------|---------------|----|
| Revision:   | X      | Status:     | PRD/A      | Change #:   |                     | Proprietary:  | No |
| Type:       | AC     | Elec. Spec: | 36WGW223   | CD Diagram: | CD0001              | Mfg Plant:    |    |
| Mech. Spec: | 36C001 | Layout:     | 36LYC001   | Poles:      | 04                  | Created Date: |    |
| Base:       | RG     | Eff. Date:  | 03-16-2017 | Leads:      | 4#14 A PH,2#16 B PH |               |    |

| Specs                           |                         |                                |                    |
|---------------------------------|-------------------------|--------------------------------|--------------------|
| Catalog Number:                 | L3605T                  | Insulation Class:              | F                  |
| Enclosure:                      | TEFC                    | Inverter Code:                 | Not Inverter       |
| Frame:                          | 182T                    | KVA Code:                      | H                  |
| Frame Material:                 | Steel                   | Lifting Lugs:                  | No Lifting Lugs    |
| Output @ Frequency:             | 2.000 HP @ 60 HZ        | Locked Bearing Indicator:      | No Locked Bearing  |
| Synchronous Speed @ Frequency:  | 1800 RPM @ 60 HZ        | Motor Lead Quantity/Wire Size: | 4 @ 14 AWG, A PH   |
| Voltage @ Frequency:            | 230.0 V @ 60 HZ         | Motor Lead Exit:               | Ko Box             |
|                                 | 115.0 V @ 60 HZ         | Motor Lead Termination:        | Flying Leads       |
| XP Class and Group:             | None                    | Motor Type:                    | 3628L              |
| XP Division:                    | Not Applicable          | Mounting Arrangement:          | F1                 |
| Agency Approvals:               | CSA                     | Power Factor:                  | 74                 |
|                                 | UR                      | Product Family:                | General Purpose    |
| Auxillary Box:                  | No Auxillary Box        | Pulley End Bearing Type:       | Ball               |
| Auxillary Box Lead Termination: | None                    | Pulley Face Code:              | Standard           |
| Base Indicator:                 | Rigid                   | Pulley Shaft Indicator:        | Standard           |
| Bearing Grease Type:            | Polyrex EM (-20F +300F) | Rodent Screen:                 | None               |
| Blower:                         | None                    | Shaft Extension Location:      | Pulley End         |
| Current @ Voltage:              | 11.500 A @ 230.0 V      | Shaft Ground Indicator:        | No Shaft Grounding |

|                                       |                           |                                    |                     |
|---------------------------------------|---------------------------|------------------------------------|---------------------|
|                                       | 11.700 A @ 208.0 V        | <b>Shaft Rotation:</b>             | Reversible          |
|                                       | 23.000 A @ 115.0 V        | <b>Shaft Slinger Indicator:</b>    | No Slinger          |
| <b>Design Code:</b>                   | L                         | <b>Speed Code:</b>                 | Single Speed        |
| <b>Drip Cover:</b>                    | No Drip Cover             | <b>Motor Standards:</b>            | NEMA                |
| <b>Duty Rating:</b>                   | CONT                      | <b>Starting Method:</b>            | Direct on line      |
| <b>Electrically Isolated Bearing:</b> | Not Electrically Isolated | <b>Thermal Device - Bearing:</b>   | NONE (OLD)          |
| <b>Feedback Device:</b>               | NO FEEDBACK               | <b>Thermal Device - Winding:</b>   | None                |
| <b>Front Face Code:</b>               | Standard                  | <b>Vibration Sensor Indicator:</b> | No Vibration Sensor |
| <b>Front Shaft Indicator:</b>         | None                      | <b>Winding Thermal 1:</b>          | None                |
| <b>Heater Indicator:</b>              | No Heater                 | <b>Winding Thermal 2:</b>          | None                |

| Nameplate NP1256L |              |  |      |     |      |    |  |                |      |   |
|-------------------|--------------|--|------|-----|------|----|--|----------------|------|---|
| CAT.NO.           | L3605T       |  |      |     |      |    |  |                |      |   |
| SPEC.             | 36C01W223    |  |      |     |      |    |  |                |      |   |
| HP                | 2            |  |      |     |      |    |  |                |      |   |
| VOLTS             | 115/230      |  |      |     |      |    |  |                |      |   |
| AMP               | 23/11.5      |  |      |     |      |    |  |                |      |   |
| RPM               | 1725         |  |      |     |      |    |  |                |      |   |
| FRAME             | 182T         |  |      |     | HZ   | 60 |  |                | PH   | 1 |
| SER.F.            | 1.15         |  | CODE | H   | DES  | L  |  | CLASS          | F    |   |
| NEMA-NOM-EFF      | 75.5         |  | PF   | 74  |      |    |  |                |      |   |
| RATING            | 40C AMB-CONT |  |      |     |      |    |  |                |      |   |
| CC                |              |  |      |     |      |    |  | USABLE AT 208V | 11.7 |   |
| DE                | 6206         |  |      | ODE | 6205 |    |  |                |      |   |
| ENCL              | TEFC         |  | SN   |     |      |    |  |                |      |   |

| Parts List    |  |          |
|---------------|--|----------|
| Part Number   | Description                              | Quantity |
| SA034341      | SA 36C01W223                             | 1.000 EA |
| RA030369      | RA 36C01W223                             | 1.000 EA |
| 36CB3004      | 36 CB CASTING W/1.09 DIA LEAD HOLE @ 6:0 | 1.000 EA |
| 36GS1000SP    | GASKET-CONDUIT BOX, .06 THICK #SV-330 LE | 1.000 EA |
| 51XB1016A08   | 10-16X 1/2HXWSSLD SERTYB                 | 2.000 EA |
| 11XW1032G06   | 10-32 X .38, TAPTITE II, HEX WSHR SLTD U | 1.000 EA |
| HW3001B01     | BRASS CUP WASHER, FOR #10 SCREW          | 1.000 EA |
| 36EP3104A01   | FREP MACH ASSEMBLY FOR ROUTING           | 1.000 EA |
| HW4500A01     | 1641B(ALEMITE)400 UNIV, GREASE FITT      | 1.000 EA |
| 13XF0832A08   | 8-32 X.50 PAN HD,SLTD, TYPE F SCREW, ZIN | 2.000 EA |
| 51XB1016A05   | 10-16X5/16HX WA SL SR TYB (F/S)          | 2.000 EA |
| HW5100A05     | WVY WSHR F/205 & 304 BRGS                | 1.000 EA |
| 36EP3100A01SP | PUEP ASSEMBLY FOR ROUTING PURPOSES       | 1.000 EA |
| HW4500A01     | 1641B(ALEMITE)400 UNIV, GREASE FITT      | 1.000 EA |
| XY2520A12     | 1/4-20 HEX NUT, DIRECTIONAL SERRATIONS   | 4.000 EA |
| 51XB1214A16   | 12-14X1.00 HXWSSLD SERTYB                | 1.000 EA |
| 36FH4009A102  | IEC FH GREASER PRIMED                    | 1.000 EA |
| 51XW1032A06   | 10-32 X .38, TAPTITE II, HEX WSHR SLTD S | 3.000 EA |
| 36CB4516      | 36 LIPPED CB LID - GALVANNEAL            | 1.000 EA |
| 37GS1001SP    | GASKET, CONDUIT BOX LID, .06 THICK LEXID | 1.000 EA |
| 51XW0832A07   | 8-32 X .44, TAPTITE II, HEX WSHR SLTD SE | 4.000 EA |
| HW2501E16     | KEY, 1/4 SQ X 1.750                      | 1.000 EA |
| HA7000A02     | KEY RETAINER RING, 1 1/8 DIA, 1 3/8 DIA  | 1.000 EA |
| 85XU0407S04   | 4X1/4 U DRIVE PIN STAINLESS              | 2.000 EA |

| <b>Parts List (continued)</b> |  |                 |
|-------------------------------|--|-----------------|
| <b>Part Number</b>            | <b>Description</b>                       | <b>Quantity</b> |
| WD1000A15                     | 3-520132-2 AMP FLAG (4M/RL NON-CANC/NON- | 2.000 EA        |
| MJ1000A02                     | GREASE, POLYREX EM EXXON (USe 4824-15A)  | 0.050 LB        |
| 36FN3000A01SP                 | EXFN, PLASTIC, 7.00 OD, .912 ID          | 1.000 EA        |
| MG1000G27                     | MED CHARCOAL METALLIC GREY 400-0096      | 0.022 GA        |
| EC1850A06SP                   | ELEC CAP 115V 2.0 X 4.3 X                | 1.000 EA        |
| HA3101A25                     | THRUBOLT 1/4-20 X 11.000 OHIO ROD        | 4.000 EA        |
| SP5172A09                     | 37 TYPE L TORQ STAT SWITCH LEAD ASSEMBLY | 1.000 EA        |
| 35CB4802A02SP                 | CAPACITOR COVER, STAMPED X               | 1.000 EA        |
| 35GS3001A02                   | GASKET, CA.COVER, 5.38 LONG .06 CS301    | 1.000 EA        |
| LC0001A01                     | CONN LABEL / WARNING LABEL (LC0001 / LB1 | 1.000 EA        |
| NP1256L                       | ALUM UL CSA CC INDUSTRIAL MOTOR A60      | 1.000 EA        |
| 36PA1000                      | PKG GRP, PRINT PK1016A06                 | 1.000 EA        |
| MN416A01                      | TAG-INSTAL-MAINT no wire (1200/bx) 5/18  | 1.000 EA        |

| <b>Accessories</b> |   |                   |
|--------------------|---|-------------------|
| <b>Part Number</b> | <b>Description</b>                      | <b>Multiplier</b> |
| 36-3301            | C FACE KIT                              | A8                |
| 36EP1304A62SP      | FLANGE MTD ENDPLATE 182-4TD -ENCL (LESS | A8                |

**AC Induction Motor Performance Data**

Record # 61411 - Typical performance - not guaranteed values

|                               |                    |                        |
|-------------------------------|--------------------|------------------------|
| <b>Winding:</b> 36WGW223-R004 | <b>Type:</b> 3628L | <b>Enclosure:</b> TEFC |
|-------------------------------|--------------------|------------------------|

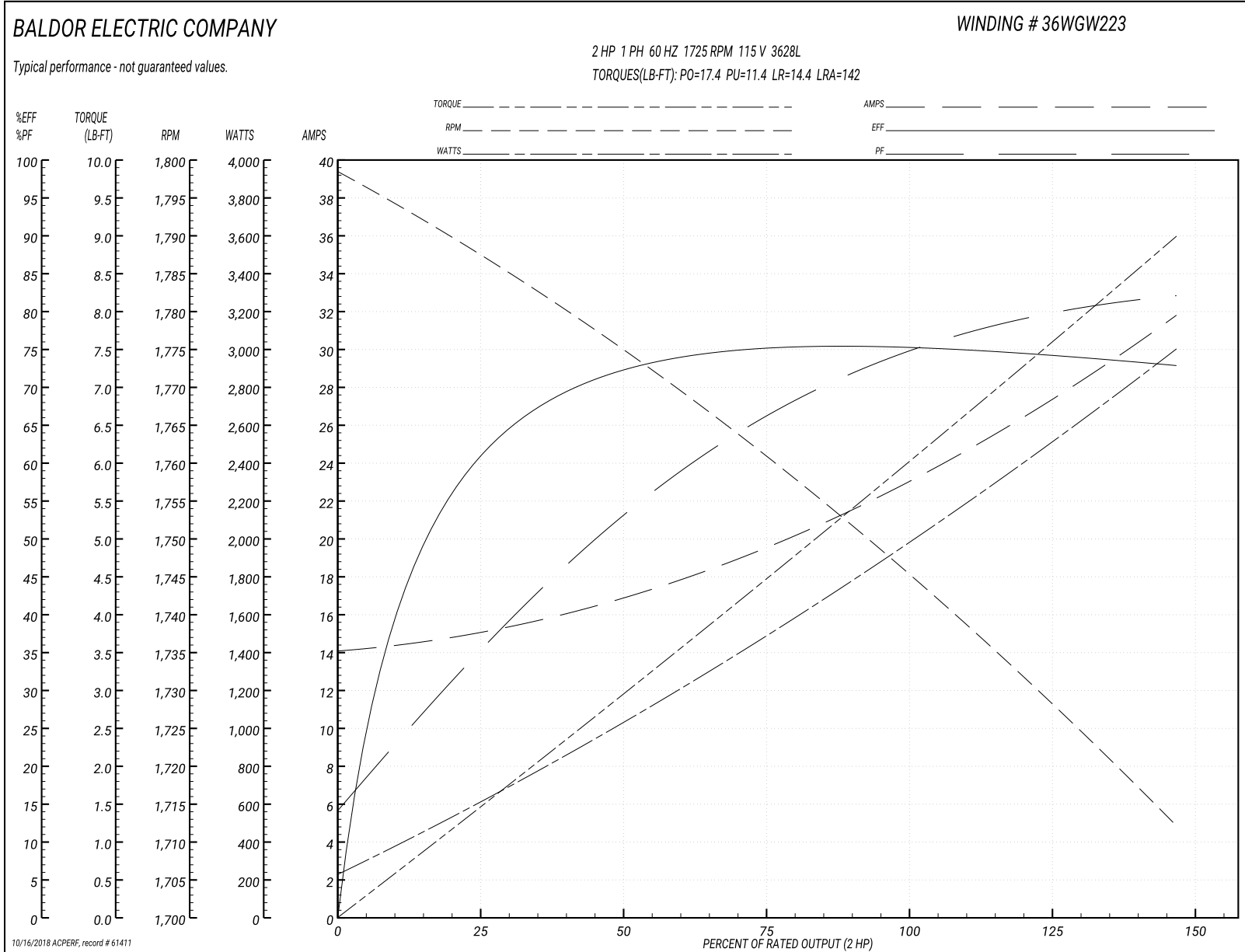
| Nameplate Data        |              |              |    | 115 V, 60 Hz:<br>Low Voltage Connection |                             |
|-----------------------|--------------|--------------|----|---|-----------------------------|
| Rated Output (HP)     | 2            |              |    | Full Load Torque                        | 6 LB-FT                     |
| Volts                 | 115/230      |              |    | Start Configuration                     | direct on line              |
| Full Load Amps        | 23/11.5      |              |    | Breakdown Torque                        | 17.4 LB-FT                  |
| R.P.M.                | 1725         |              |    | Pull-up Torque                          | 11.4 LB-FT                  |
| Hz                    | 60           | Phase        | 1  | Locked-rotor Torque                     | 14.4 LB-FT                  |
| NEMA Design Code      | L            | KVA Code     | H  | Starting Current                        | 142 A                       |
| Service Factor (S.F.) | 1.15         |              |    | No-load Current                         | 14.2 A                      |
| NEMA Nom. Eff.        | 75.5         | Power Factor | 74 | Line-line Res. @ 25°C                   | 0.239 Ω A Ph<br>1.14 Ω B Ph |
| Rating - Duty         | 40C AMB-CONT |              |    | Temp. Rise @ Rated Load                 | 75°C                        |
| S.F. Amps             |              |              |    | Temp. Rise @ S.F. Load                  | 88°C                        |
|                       |              |              |    | Locked-rotor Power Factor               | 83.9                        |
|                       |              |              |    | Rotor inertia                           | 0.263 LB-FT <sup>2</sup>    |

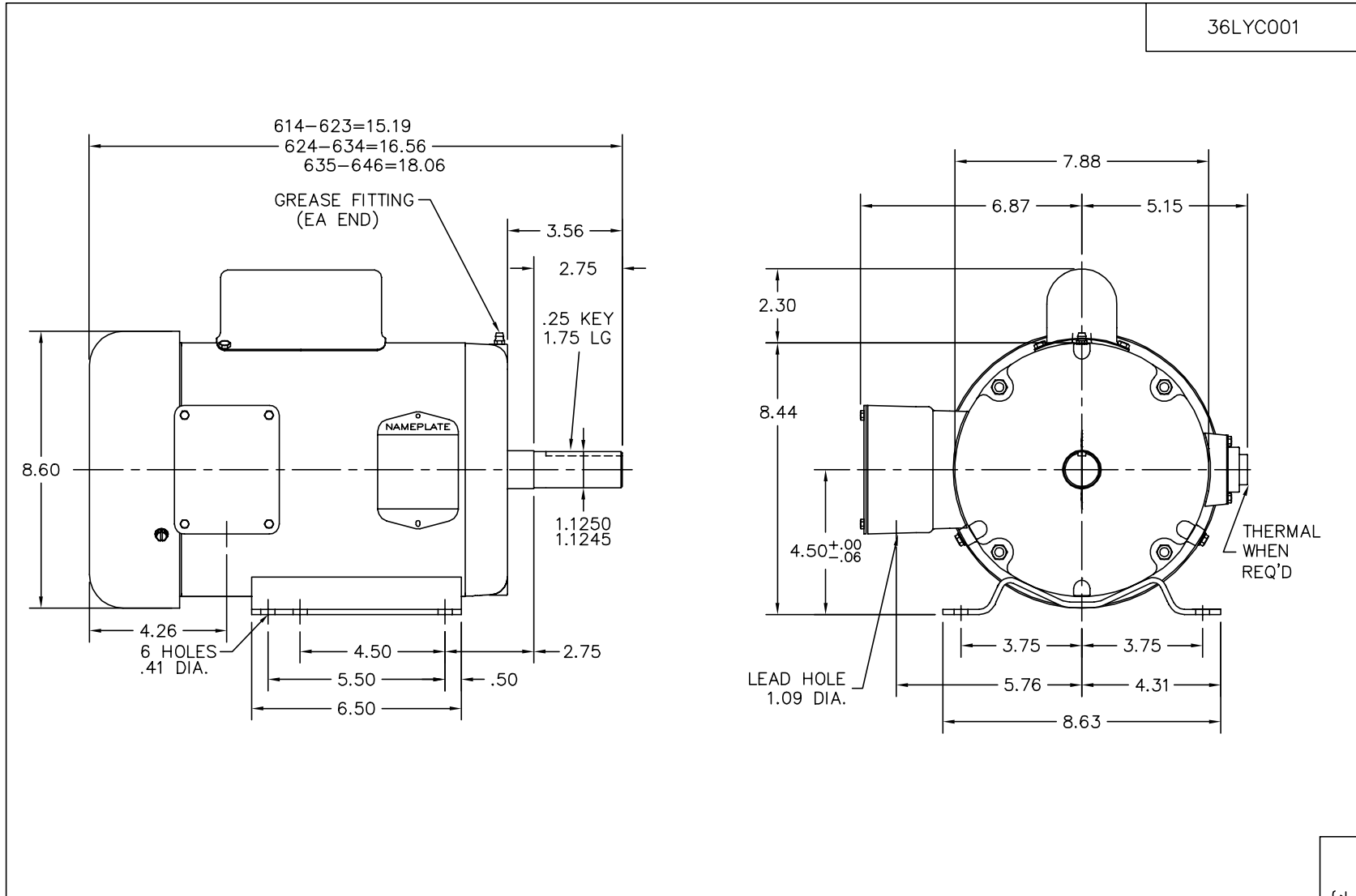
Load Characteristics 115 V, 60 Hz, 2 HP

| % of Rated Load | 25   | 50   | 75   | 100  | 125  | 150  | S.F. |
|-----------------|------|------|------|------|------|------|------|
| Power Factor    | 36   | 54   | 67   | 74   | 79   | 82   | 77   |
| Efficiency      | 61   | 73   | 75   | 75.5 | 74   | 73   | 74.6 |
| Speed           | 1788 | 1775 | 1760 | 1745 | 1730 | 1712 | 1736 |
| Line amperes    | 15   | 16.8 | 19.6 | 23   | 27.4 | 31.6 | 25.6 |



Performance Graph at 115V, 60Hz, 2.0HP Typical performance - Not guaranteed values





CUSTOMER IS RESPONSIBLE FOR DETERMINING THAT MOTOR PERFORMANCE IS SUITABLE IN THE APPLICATION.

|  |                      |                              |
|--|----------------------|------------------------------|
| REV. DESC: FREEZE LINES SHOWING THROUGH CAPACITOR/KO BOX |                      |                              |
| REV. LTR: Q  | VERSION: 02          | TDR: 000000384004            |
| 1000A19E   | FILE: \AAA\00003\194 | REVISED: 15:47:16 12/22/2005 |
|  | MTL: -               | BY: ENCHRCO                  |

**BALDOR ELECTRIC Co.**

STD HORZ 182-4T TEFC 36L

36LYC001

CD0001



|   |         |                        |              |
|---|---------|------------------------|--------------|
| REV. DESC: REVISE TO SHOW OPTIONAL COLORS |         |                        |              |
| REV. LTR: D                               | BY: JLP | REVISED: 04/08/99 1:16 | TDR: 0178636 |
| 100000                                    |         | FILE: AAA00007405      | MDL: -       |
|   |         | MTL: -                 |              |

**BALDOR ELECTRIC Co.**

TYPE L, DV, REV, 6 LEADS

CD0001