

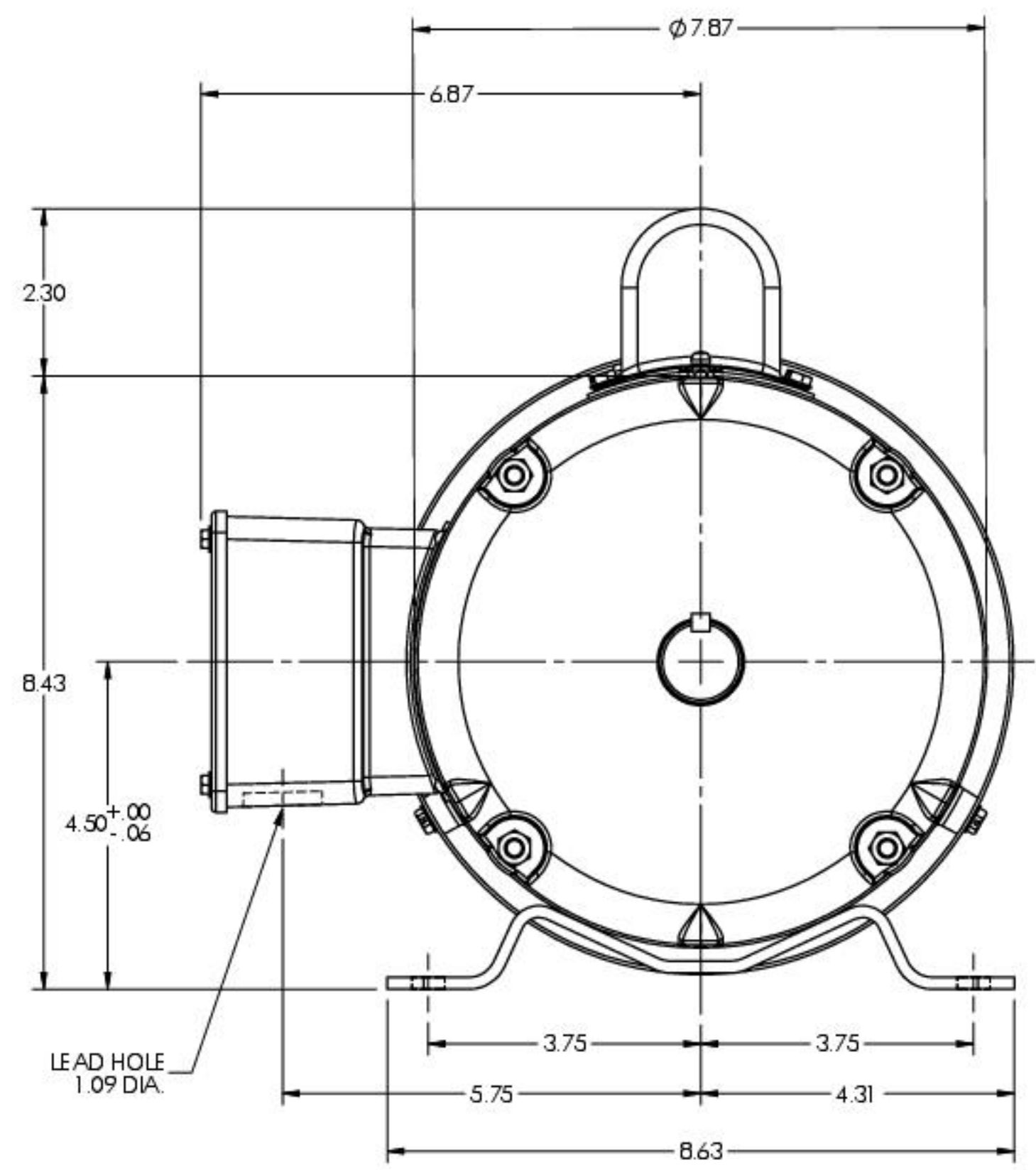
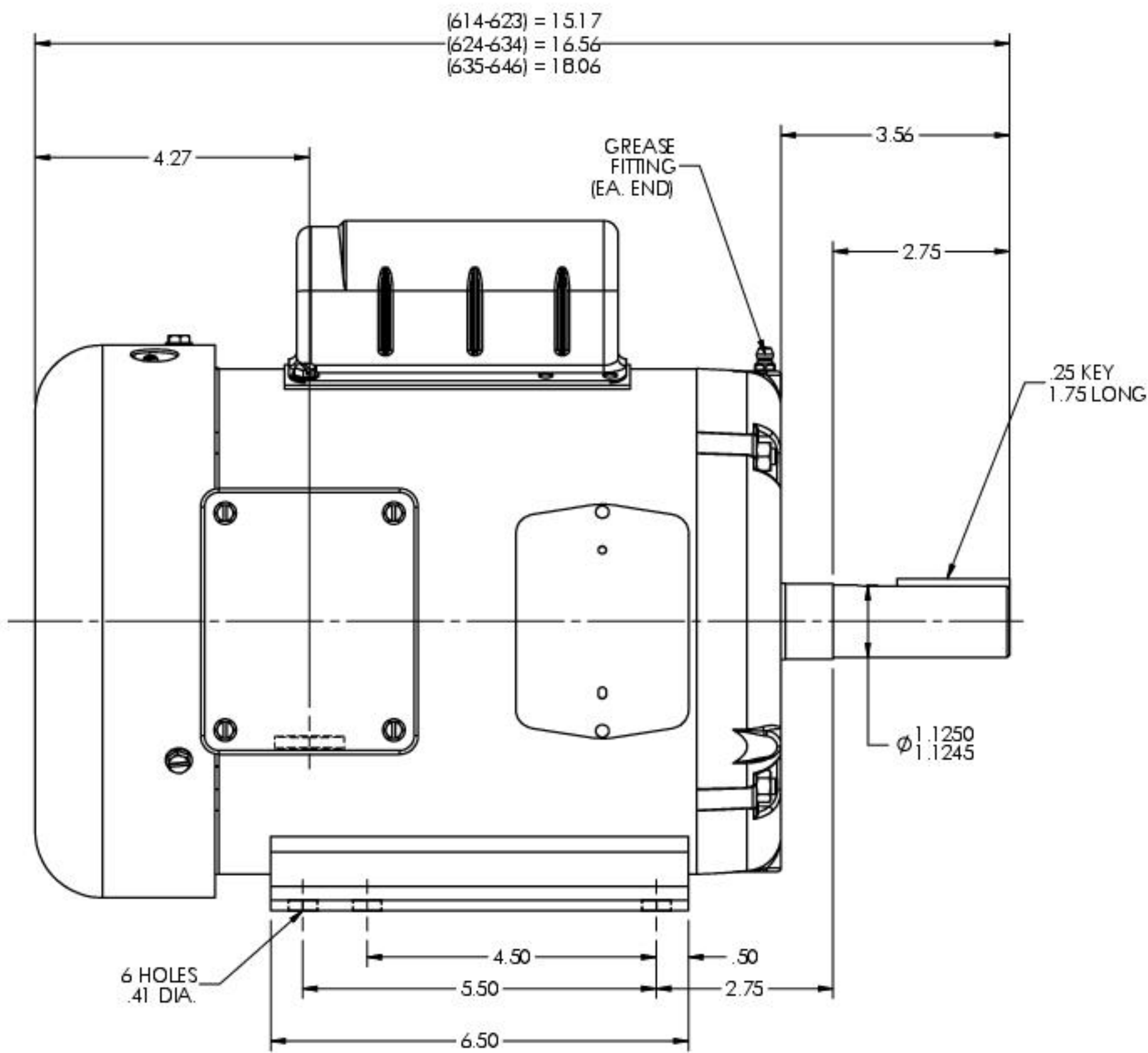
36LYC001

D

C

B

A



D

C

B

A

36LYC001

CUSTOMER IS RESPONSIBLE FOR DETERMINING THAT BALDOR'S PRODUCT WILL PERFORM SUITABLY IN THE INTENDED APPLICATION

REV. DESC: LOAD DRAWING TO SOLIDWORKS			
REV: R	VERSION: 03	REVISED: 02:44:58 05.09/2022	TDR: 000001190082
MODEL NO. 36LYC001			REF: -
BY: ENALEMO			B

BALDOR

STD HORZ 1824T TEFC 36L

8 7 6 5 4 3 2 1