

ENGINEERED PRODUCTS: IGP MANUAL SERIES

APPLICATIONS

- Engineered Products IGP-M Series Grinder Pumps are ideal for sewage waste transfer

FEATURES

- Powerful 2 hp, 3450 rpm motor to handle the demands of grinding domestic sewage
- Externally-mounted start components*
- Carbon/Ceramic mechanical seal
- Deflection-resistant, short motor shaft
- Corrosion-resistant brass impeller minimizes downtime and maintenance
- Seven-vane, angled face, non-clogging, balanced impeller
- Tight cutting clearances for superior grinding at 414,000 cuts per minute
- Epoxy-coated finish for corrosion resistance and durability
- Built-in overload protection prevents over-current and over-temperature damage

**The IGP Manual Series requires a specific control panel or capacitor kit from FPS, matched to the pump for proper operation and third-party approval.*

CONSTRUCTION

Motor Cover	Cast iron with epoxy coating
Motor Cover O-ring	Nitrile
Motor Design	Single-phase, capacitor start, capacitor run or three-phase
Insulation Class	F
Overload Protection	Internal, on winding thermal protector
Motor Shaft	*AISI 300 series stainless steel
Ball Bearing-Upper	Single row ball, 6203
Ball Bearing-Lower	Single row ball, 6306
Seal Housing	Cast iron with epoxy coating
Mechanical Seal	Carbon/Ceramic
Volute	Cast iron with epoxy coating
Impeller	Brass
Rotating Cutter	2 blade design, AISI 440C stainless steel, through-hardened to Rockwell 55-60C
Stationary Cutter	AISI 440C stainless steel, hardened to Rockwell 55-60C
External Hardware	300 series stainless steel
Power Cable	Type SOW-A or SOW 14/4 AWG

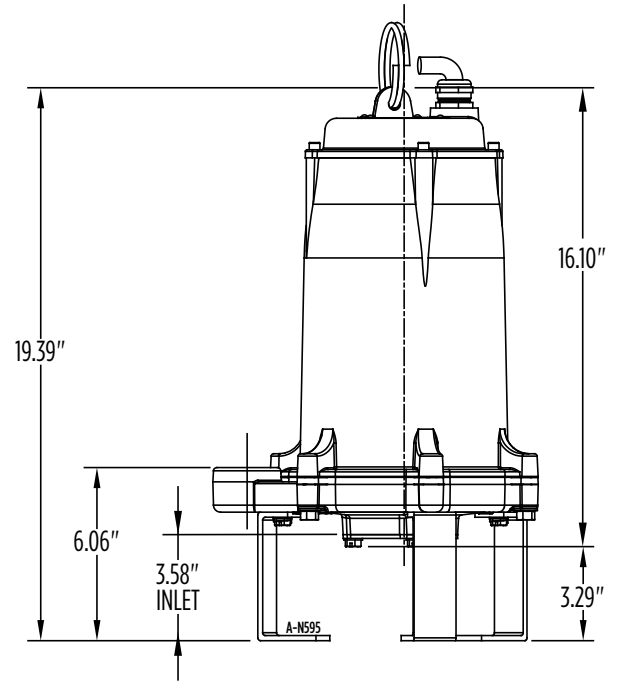
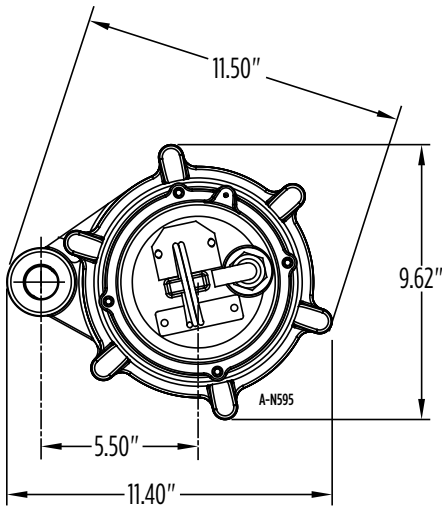
*In contact with fluid pumped



(U.S. Patent No. 7,237,736)

ENGINEERED PRODUCTS: IGP MANUAL SERIES

DIMENSIONS



Shown with optional leg kit (599078)

MODEL INFORMATION

Item No.	Model	HP	Volts	Hz	Phase	Full Load Amps/ Watts	Cord
515864	IGP-M231-15	2	208-230	60	1	13.9/3200	15'
515879	IGP-M231-30	2	208-230	60	1	13.9/3200	30'
515870	IGP-M233-30	2	208-230	60	3	10/1300	30'
515871	IGP-M463-30	2	460	60	3	4.5/1025	30'
515872	IGP-M573-30	2	575	60	3	3/850	30'

Performance (GPM @ Head)						Shut-Off	PSI	Weight (lbs)
20'	40'	60'	80'	100'	120'			
32	31	30	25	20	10	130'	56	75

PERFORMANCE

