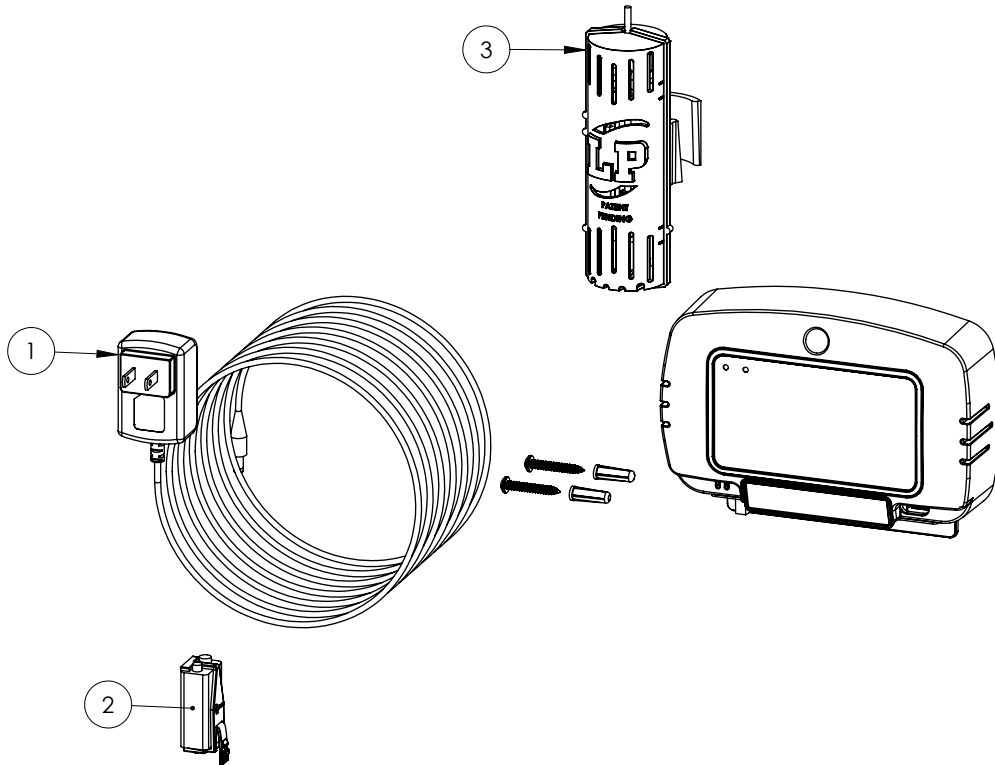


ALM-P1 (B94)



Liberty
Pumps®

ALM-P1 (B94)

#	PART #	DESCRIPTION	QTY	Note
1	K001565	KIT, AC ADAPTER, 12V 500mA, 115V	1	
2	K001567	KIT, BATTERY 9V, 625MAH	1	
3	K001568	KIT, REED SWITCH FLOAT ASSEMBLY	1	