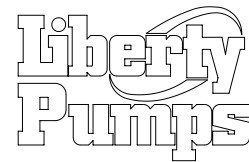
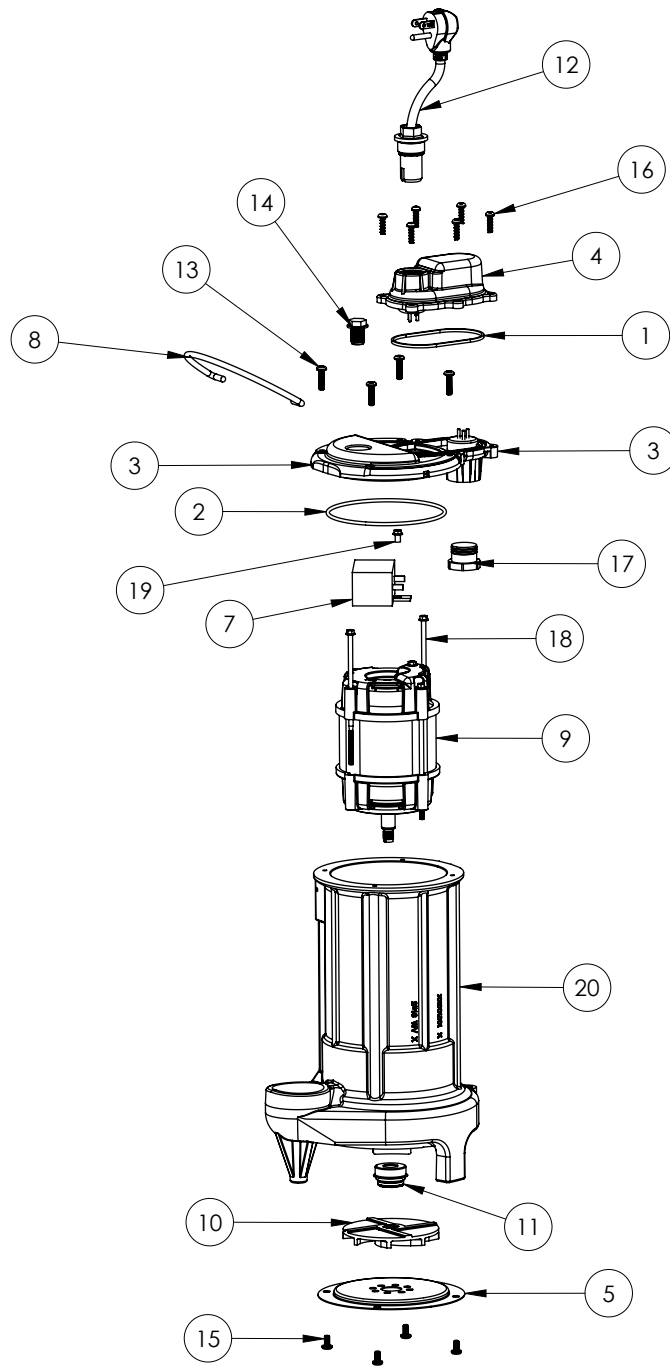


280-2 (C29)



280-2 (C29)

#	PART #	DESCRIPTION	QTY	Note
1	K001046	SEALRING, CHAMBER COVER	1	
2	2357000	O-RING	1	[1]
3	240600B	MOTOR COVER	1	
4	K001749	KIT, SWITCH CHAMBER COVER	1	
5	2205000	STAMPING INLET 280, FOR 2903 FINISHED CASTING	1	
7	K001305	CAPACITOR	1	
8	K001082	HANDLE	1	
9	2420200	2 POLE 115V MOTOR	1	[1]
10	K001091	280 SERIES IMPELLER KIT	1	
11	50980A0	1/2 INCH UNITIZED SEAL	1	[1]
12	K001008	POWER CORD, 115V, 25 FOOT CORD	1	
13	8072000	#10 - 24 x 3/4" SCREW	4	
14	8089000	OIL PLUG, O-RING ASSEMBLY	1	
15	8092000	#10 - 24 x 3/8" SCREW	4	
16	8029200	SCREW #10 HIGH LOW PAN HEAD T20	6	
17	8105000	PROTECTIVE CAP	1	
18	8150000	#8-32 x 4-7/8" SCREW	2	[1]
19	8161000	CAPACITOR SCREW #8-32UNC X .24 LG	1	
20	290300J	CAST IRON HOUSING	1	[1]
21	LPOILT1032OZ	REPLACEMENT T10 OIL, QUART BOTTLE (REF 8504000)	1	[2]

PART NOTES:

- [1] - Part requires factory authorized service. Contact Liberty Pumps at 1-800-543-2550
 [2] - Acceptable for use in all liberty Pump's oil-filled products

Acceptable for use in all liberty Pump's oil-filled products