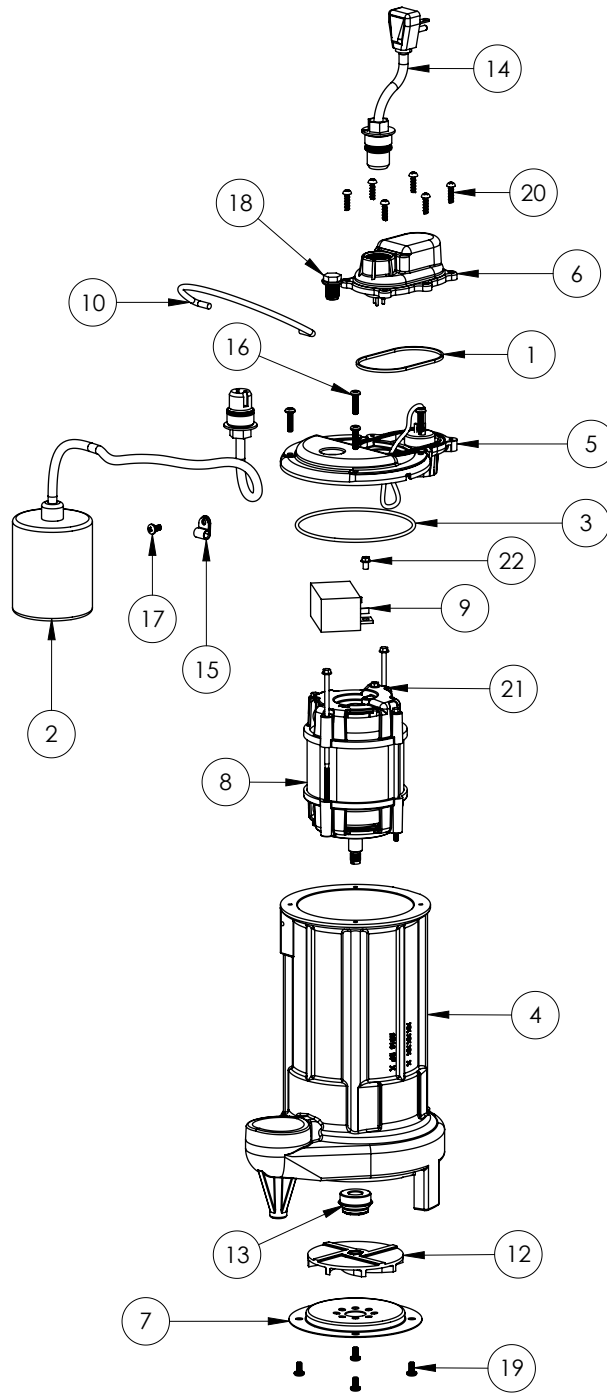


281HV-5

281HV-5 (B39)



281HV-5 (B39)

#	PART #	DESCRIPTION	QTY	Note
1	K001046	SEALRING, CHAMBER COVER	1	
2	K001363	PUMP SWITCH KIT	1	
3	2357000	O-RING	1	[1]
4	25162CJ	HOUSING	1	
5	240600B	MOTOR COVER	1	
6	240700B	CHAMBER COVER	1	
7	2414000	280 SERIES STAMPING INLET	1	
8	2424200	MOTOR, .5HP 230V	1	[1]
9	2455000	CAPACITOR	1	[1]
10	K001082	HANDLE	1	
12	K001091	280 SERIES IMPELLER KIT	1	
13	50980A0	1/2 INCH UNITIZED SEAL	1	[1]
14	K001343	POWER CORD, 50FT.	1	
15	8014000	CABLE CLAMP	1	
16	8072000	#10 - 24 x 3/4" SCREW	4	
17	8082000	#10-24 x 3/8 EPOXY LOCK SCREW	1	
18	8089000	OIL PLUG, O-RING ASSEMBLY	1	
19	8092000	#10 - 24 x 3/8" SCREW	4	
20	8104200	#10 HILO X 5/8" STAINLESS STEEL SCREW	6	
21	8150000	#8-32 x 4-7/8" SCREW	2	[1]
22	8160000	CAPACITOR SCREW	1	
23	LPOILT1032OZ	REPLACEMENT T10 OIL, QUART BOTTLE (REF 8504000)	1	[2]

PART NOTES:

- [1] - Part requires factory authorized service. Contact Liberty Pumps at 1-800-543-2550
 [2] - Acceptable for use in all liberty Pump's oil-filled products

Acceptable for use in all liberty Pump's oil-filled products