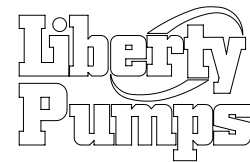
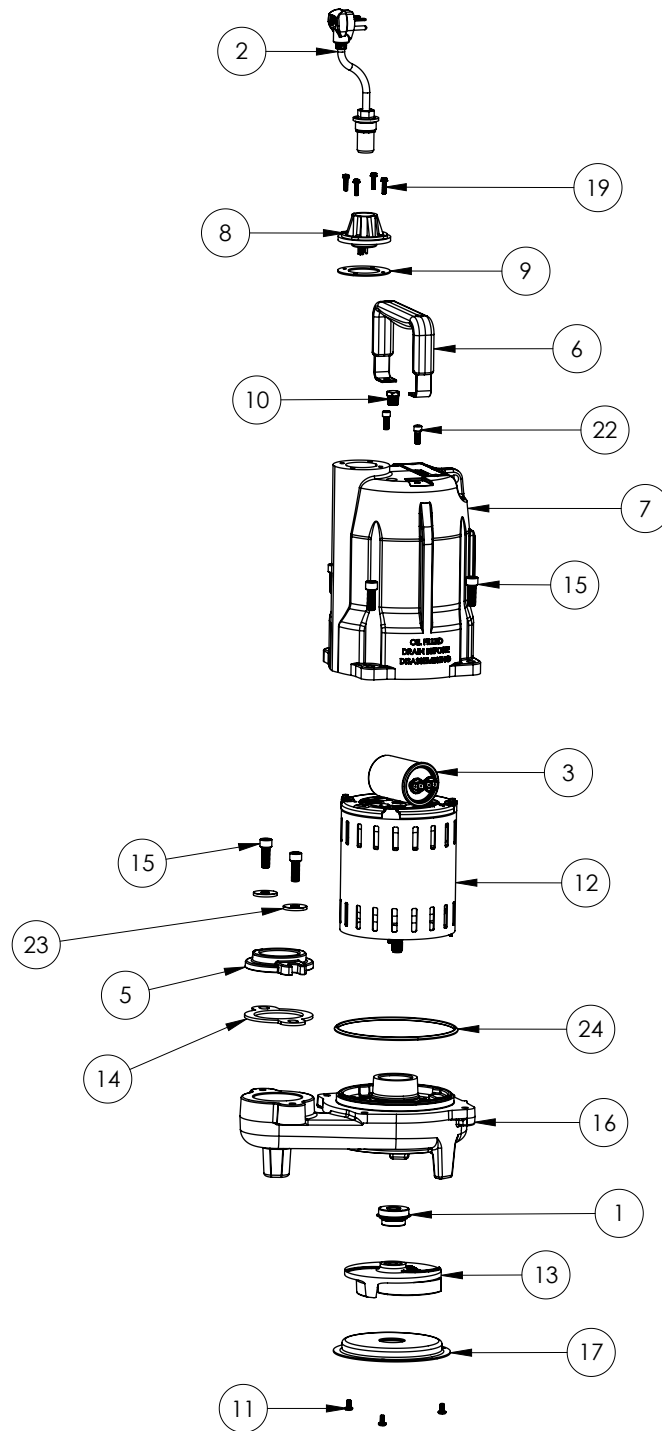


FL72M-2 (B78)



FL72M-2

FL72M-2 (B78)

| # | PART # | DESCRIPTION | QTY | Note |
|----|--------------|---|-----|------|
| 1 | K001958 | KIT 5/8 UNITIZED SEAL 5120000 | 1 | [1] |
| 2 | K001059 | POWER CORD, 230V, 25 FOOT CORD | 1 | |
| 3 | 51960B0 | CAPACITOR, 30uF | 1 | |
| 5 | 586100R | 1.5" ADAPTER FLANGE | 1 | |
| 6 | 3411200 | HANDLE | 1 | |
| 7 | 340000R | MOTOR HOUSING, POWDER COATED | 1 | |
| 8 | 5014000 | CORD PLATE | 1 | |
| 9 | 5060000 | CORD PLATE GASKET | 1 | |
| 10 | 50710A0 | PIPE PLUG, 1/4" HEX HD BRASS NPTF | 1 | |
| 11 | 8092000 | #10 - 24 x 3/8" SCREW | 3 | |
| 12 | 5367000 | MOTOR 230V 1PH | 1 | |
| 13 | 58340B0 | IMPELLER | 1 | |
| 14 | 5858000 | 1.5" FLANGE GASKET | 1 | |
| 15 | 5862000 | BOLT, 3/8-16X1 SHCS SS | 6 | |
| 16 | K001408 | FL50/60/70 SERIES VOLUTE 588900R | 1 | |
| 17 | K002571 | INLET PLATE KIT | 1 | |
| 19 | 8064000 | #8-32 x 5/8 HEX WASHER HEAD SCREW | 4 | |
| 22 | 8103000 | SCREW 1/4-20x5/8" HX SKT SS | 2 | |
| 23 | 8158000 | WASHER, 3/8 x 1-1/8, SS | 2 | |
| 24 | 3403000 | O-RING | 1 | |
| 25 | LPOILT1032OZ | REPLACEMENT T10 OIL, QUART BOTTLE (REF 8504000) | 2 | [2] |

PART NOTES:

- [1] - Part requires factory authorized service. Contact Liberty Pumps at 1-800-543-2550
Part requires factory authorized service. Contact Liberty Pumps at 1-800-543-2550
- [2] - Acceptable for use in all liberty Pump's oil-filled products

Acceptable for use in all liberty Pump's oil-filled products