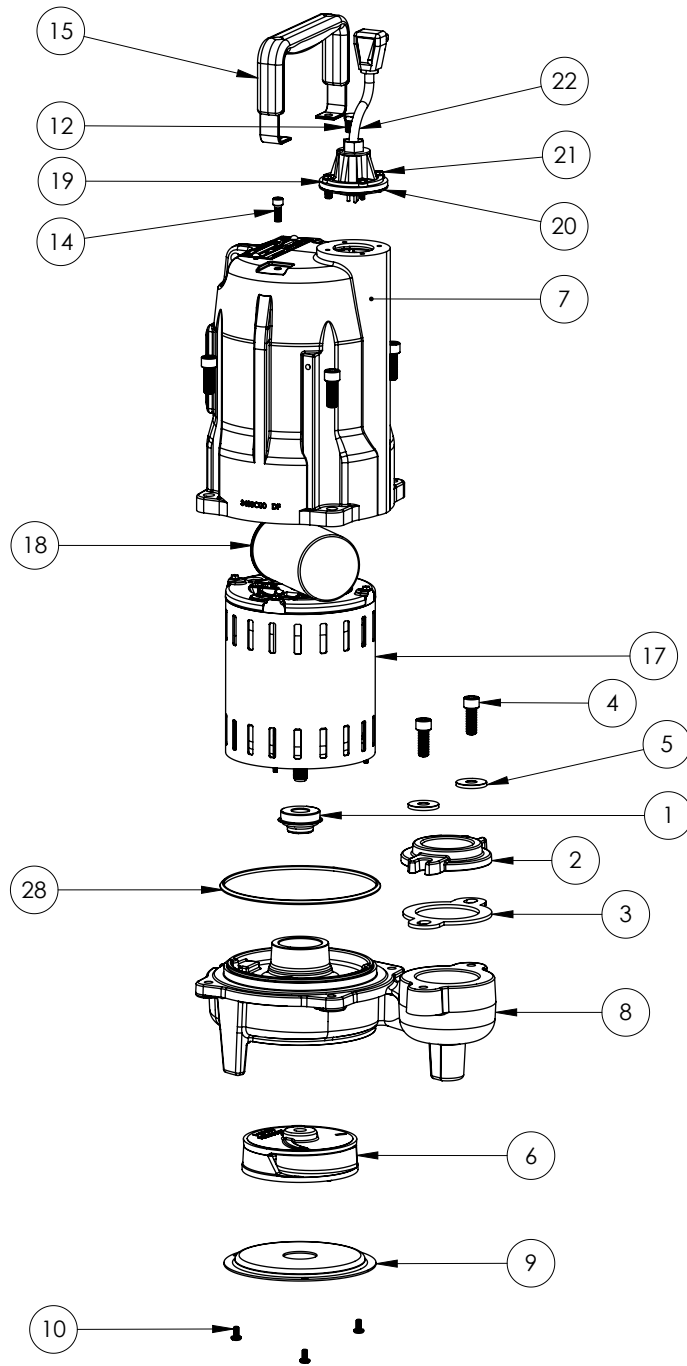


FLH61M-2 (B78)



**FLH61M-2**

**FLH61M-2 (B78)**

<b>#</b>	<b>PART #</b>	<b>DESCRIPTION</b>	<b>QTY</b>	<b>Note</b>
1	K001958	KIT 5/8 UNITIZED SEAL 5120000	1	[1]
2	586100R	1.5" ADAPTER FLANGE	1	
3	5858000	1.5" FLANGE GASKET	1	
4	5862000	BOLT, 3/8-16X1 SHCS SS	6	
5	8158000	WASHER, 3/8 x 1-1/8, SS	2	
6	3489000	IMPELLER	1	
7	340000R	MOTOR HOUSING, POWDER COATED	1	
8	K001408	FL50/60/70 SERIES VOLUTE 588900R	1	
9	K001644	KIT INLET STAMPING	1	
10	8092000	#10 - 24 x 3/8" SCREW	3	
12	50710A0	PIPE PLUG, 1/4" HEX HD BRASS NPTF	1	
14	8103000	SCREW 1/4-20x5/8" HX SKT SS	2	
15	3411200	HANDLE	1	
17	5367000	MOTOR 230V 1PH	1	
18	51960B0	CAPACITOR, 30uF	1	
19	5014000	CORD PLATE	1	
20	5060000	CORD PLATE GASKET	1	
21	8064000	#8-32 x 5/8 HEX WASHER HEAD SCREW	4	
22	K001008	POWER CORD, 115V, 25 FOOT CORD	1	
28	3403000	O-RING	1	
29	LPOILT1032OZ	REPLACEMENT T10 OIL, QUART BOTTLE (REF 8504000)	2	[2]

**PART NOTES:**

- [1] - Part requires factory authorized service. Contact Liberty Pumps at 1-800-543-2550  
Part requires factory authorized service. Contact Liberty Pumps at 1-800-543-2550
- [2] - Acceptable for use in all liberty Pump's oil-filled products

Acceptable for use in all liberty Pump's oil-filled products