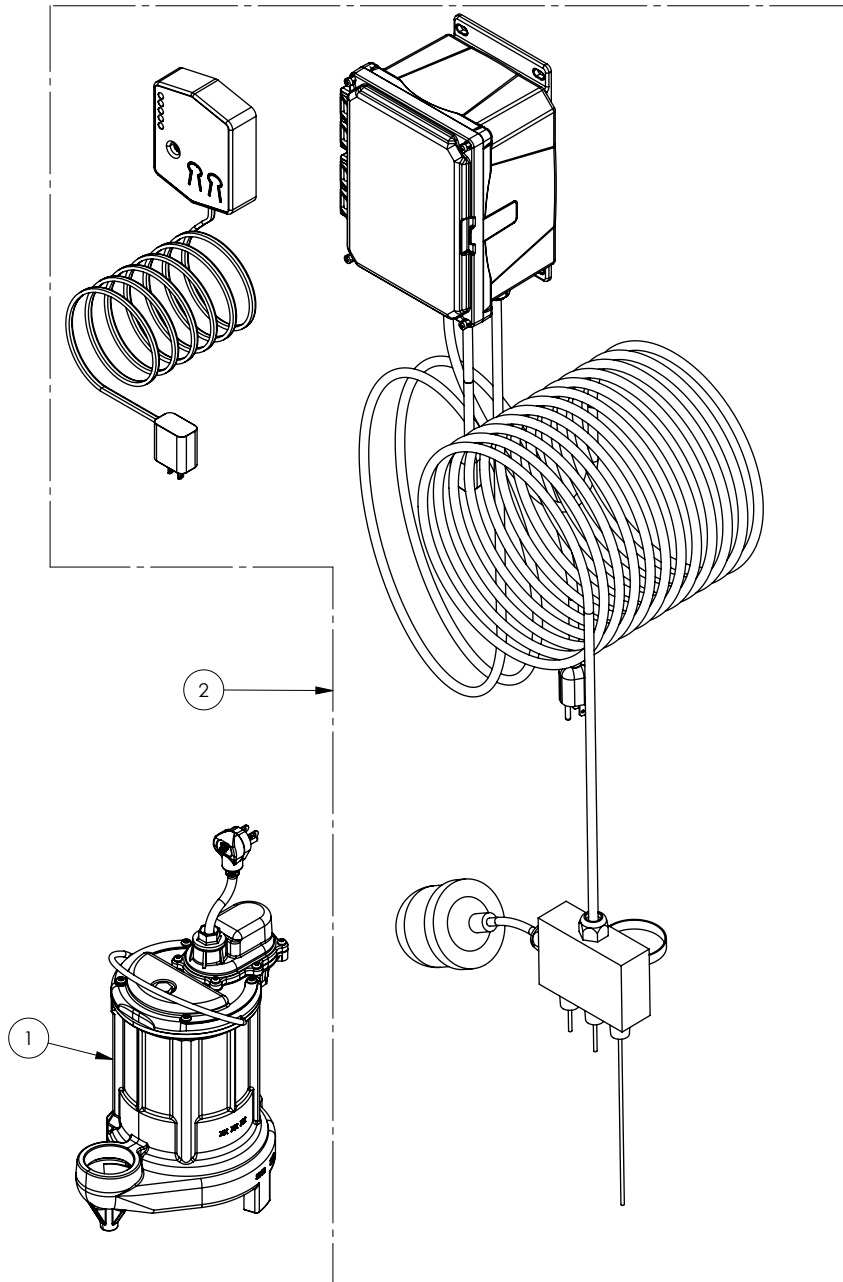


ELV250

ELV250 (B59)



Liberty
Pumps®

ELV250

ELV250 (B59)

#	PART #	DESCRIPTION	QTY	Note
1	EV250	ELEVATOR PUMP 250 MANUAL	1	
2	OTC-115	OIL SENSOR SYSTEM, 115VPOWER CORD, 25' 115V HIGH TEMP	1	