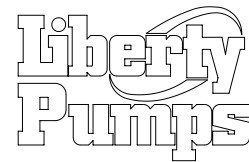
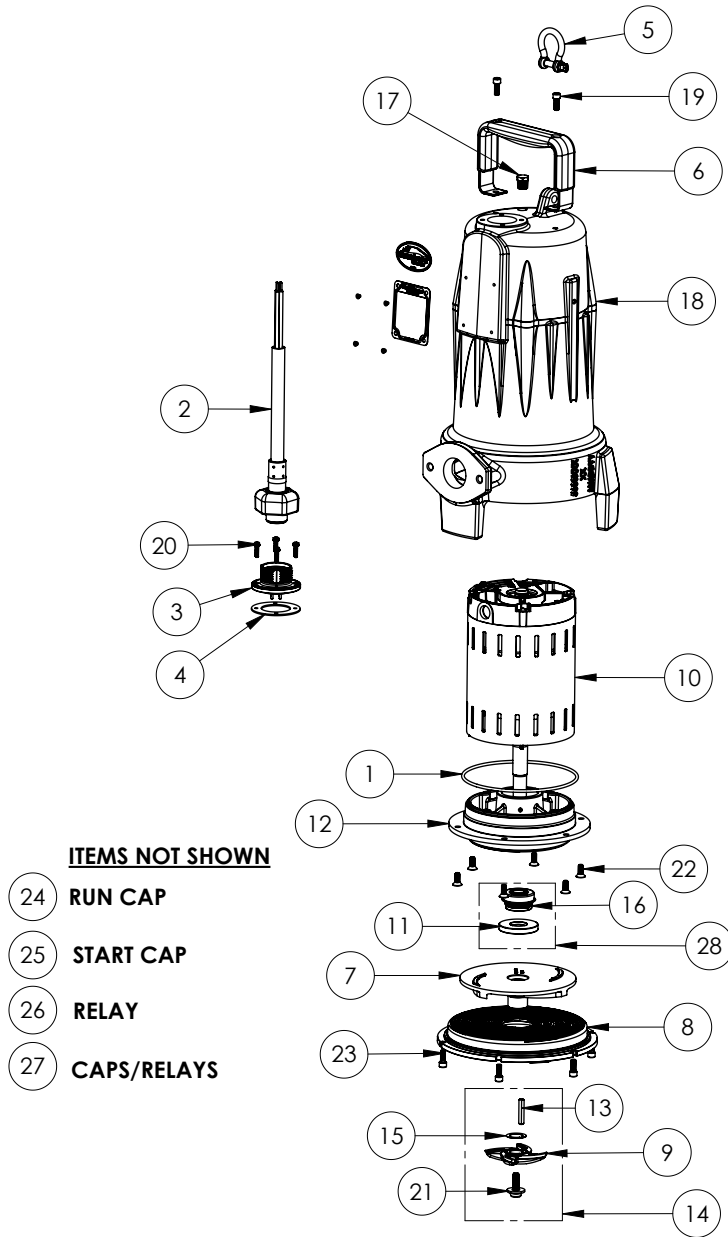


LSG202M-C (B52)



LSG202M-C

LSG202M-C (B52)

#	PART #	DESCRIPTION	QTY	Note
1	5617000	O-RING	1	
2	K001358	POWER CORD, 35FT	1	
3	5629000	CORDPLATE	1	
4	5060000	CORD PLATE GASKET	1	
5	K001680	SHACKLE KIT	1	
6	5613000	HANDLE	1	
7	K001538	GRINDER IMPELLER KIT	1	
8	K001395	CUTTER PLATE	1	
9	5616900	ROTARY CUTTER	1	
10	5740000	MOTOR	1	[1]
11	5618000	DOUBLE LIP SEAL	1	
12	5632000	MOTOR PLATE	1	[1]
13	56350A0	KEY 3/16 X 1.32 SS	1	
14	K001139	CUTTER KIT*KIT INCLUDES CUTTER, CAP SCREW, SHAFT KEY WASHER AND SHIMS*	1	[2]
15	K001445	ROTARY CUTTER SHIM KIT	1	
16	5633000	3/4" UNITIZED SHAFT SEAL	1	[1]
17	50710A0	PIPE PLUG, 1/4" HEX HD BRASS NPTF	1	
18	560000R	OMNIVORE HOUSING	1	[1]
19	8103000	SCREW 1/4-20x5/8" HX SKT SS	2	
20	8064000	#8-32 x 5/8 HEX WASHER HEAD SCREW	4	
21	56362B0	FLANGED IMPELLER BOLT, M8 THREAD	1	
22	8018000	1/4-20 x 5/8 SLOTTED FLAT HEAD BOLT	6	
23	8103000	SCREW 1/4-20x5/8" HX SKT SS	6	
24	K001228	RUN CAPACITOR	1	
25	K001227	START CAPACITOR	1	
26	K001315	RELAY	1	
27	K001316	CAPS / RELAY	1	
28	K001484	OMNIVORE SEAL KIT, INCLUDES 5618000 AND 5633000	1	[3]
29	LPOILT1032OZ	REPLACEMENT T10 OIL, QUART BOTTLE (REF 8504000)	3	[4]

PART NOTES:

- [1] - Part requires factory authorized service. Contact Liberty Pumps at 1-800-543-2550
- [2] - For LSG Grinder Cutter Replacment Instructions see LSG Grinder Cutter Replacement
For LSG Grinder Cutter Replacment Instructions see LSG Grinder Cutter Replacement
- [3] - Omnivore maintenance procedure [click here](#)
Omnivore maintenance procedure [click here](#)
- [4] - Acceptable for use in all liberty Pump's oil-filled products

Acceptable for use in all liberty Pump's oil-filled products