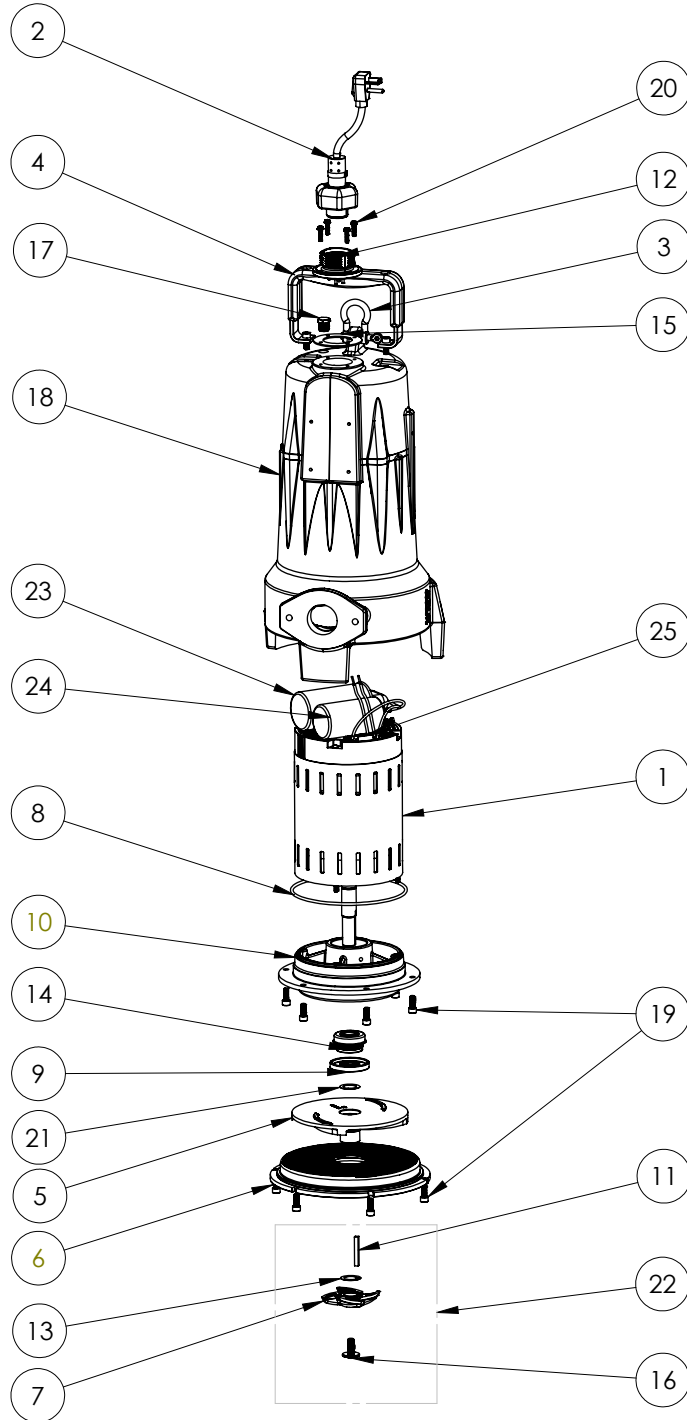


LSG202M (B28)



LSG202M

LSG202M (B28)

#	PART #	DESCRIPTION	QTY	Note
1	5601000	MOTOR 2HP 230V (KIT, MTR REPLACE K001666)	1	[1]
2	K001140	POWER CORD	1	
3	5611000	SHACKLE	1	
4	5613000	HANDLE	1	
5	K001538	GRINDER IMPELLER KIT	1	
6	5615000	CUTTER PLATE	1	
7	5616900	ROTARY CUTTER	1	
8	5617000	O-RING	1	
9	5618000	DOUBLE LIP SEAL	1	
10	5632000	MOTOR PLATE	1	
11	5635000	KEY	1	
12	K001216	5619000, CORDPLATE	1	
13	K001445	ROTARY CUTTER SHIM KIT	1	
14	5633000	3/4" UNITIZED SHAFT SEAL	1	[1]
15	5060000	CORD PLATE GASKET	1	
16	56362B0	FLANGED IMPELLER BOLT, M8 THREAD	1	
17	50710A0	PIPE PLUG, 1/4" HEX HD BRASS NPTF	1	
18	560000R	OMNIVORE HOUSING	1	
19	5646000	CAP SCREW, SHCS, 1/4-28 X 9/16" SS	14	
20	8064000	#8-32 x 5/8 HEX WASHER HEAD SCREW	4	
21	5627000	SHIM WASHER	1	
22	K001139	CUTTER KIT*KIT INCLUDES CUTTER, CAP SCREW, SHAFT KEY WASHER AND SHIMS*	1	[2]
23	K001228	RUN CAPACITOR	1	
24	K001227	START CAPACITOR	1	
25	K001229	START SWITCH	1	

PART NOTES:

- [1] - Part requires factory authorized service. Contact Liberty Pumps at 1-800-543-2550
- [2] - For LSG Grinder Cutter Replacment Instructions see LSG Grinder Cutter Replacement
For LSG Grinder Cutter Replacment Instructions see LSG Grinder Cutter Replacement