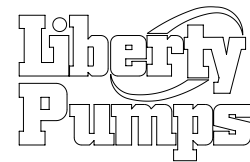
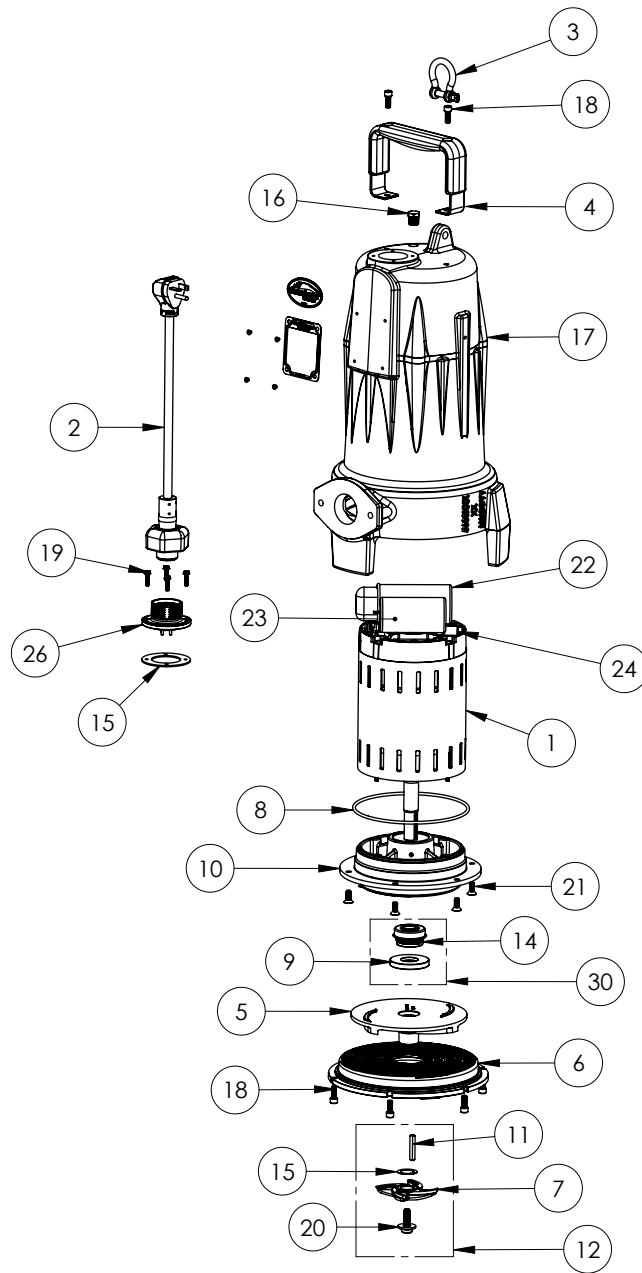


LSG202M (B52)



**LSG202M**

**LSG202M (B52)**

#	PART #	DESCRIPTION	QTY	Note
1	5601000	MOTOR 2HP 230V (KIT, MTR REPLACE K001666)	1	[1]
2	K001140	POWER CORD	1	
3	5611000	SHACKLE	1	
4	5613000	HANDLE	1	
5	K001538	GRINDER IMPELLER KIT	1	
6	K001395	CUTTER PLATE	1	
7	5616900	ROTARY CUTTER	1	
8	5617000	O-RING	1	
9	5618000	DOUBLE LIP SEAL	1	
10	5632000	MOTOR PLATE	1	[1]
11	56350A0	KEY 3/16 X 1.32 SS	1	
12	K001139	CUTTER KIT*KIT INCLUDES CUTTER, CAP SCREW, SHAFT KEY WASHER AND SHIMS*	1	[2]
13	K001445	ROTARY CUTTER SHIM KIT	1	
14	5633000	3/4" UNITIZED SHAFT SEAL	1	[1]
15	5060000	CORD PLATE GASKET	1	
16	50710A0	PIPE PLUG, 1/4" HEX HD BRASS NPTF	1	
17	560000R	OMNIVORE HOUSING	1	[1]
18	8103000	SCREW 1/4-20x5/8" HX SKT SS	8	
19	8064000	#8-32 x 5/8 HEX WASHER HEAD SCREW	4	
20	56362B0	FLANGED IMPELLER BOLT, M8 THREAD	1	
21	8018000	1/4-20 x 5/8 SLOTTED FLAT HEAD BOLT	6	
22	K001228	RUN CAPACITOR	1	
23	K001227	START CAPACITOR	1	
24	K001229	START SWITCH	1	
26	K001216	5619000, CORDPLATE	1	
30	K001484	OMNIVORE SEAL KIT, INCLUDES 5618000 AND 5633000	1	[3]
31	LPOILT1032OZ	REPLACEMENT T10 OIL, QUART BOTTLE (REF 8504000)	3	[4]

**PART NOTES:**

- [1] - Part requires factory authorized service. Contact Liberty Pumps at 1-800-543-2550
- [2] - For LSG Grinder Cutter Replacment Instructions see LSG Grinder Cutter Replacement  
For LSG Grinder Cutter Replacment Instructions see LSG Grinder Cutter Replacement
- [3] - Omnivore maintenance procedure [click here](#)  
Omnivore maintenance procedure [click here](#)
- [4] - Acceptable for use in all liberty Pump's oil-filled products

Acceptable for use in all liberty Pump's oil-filled products