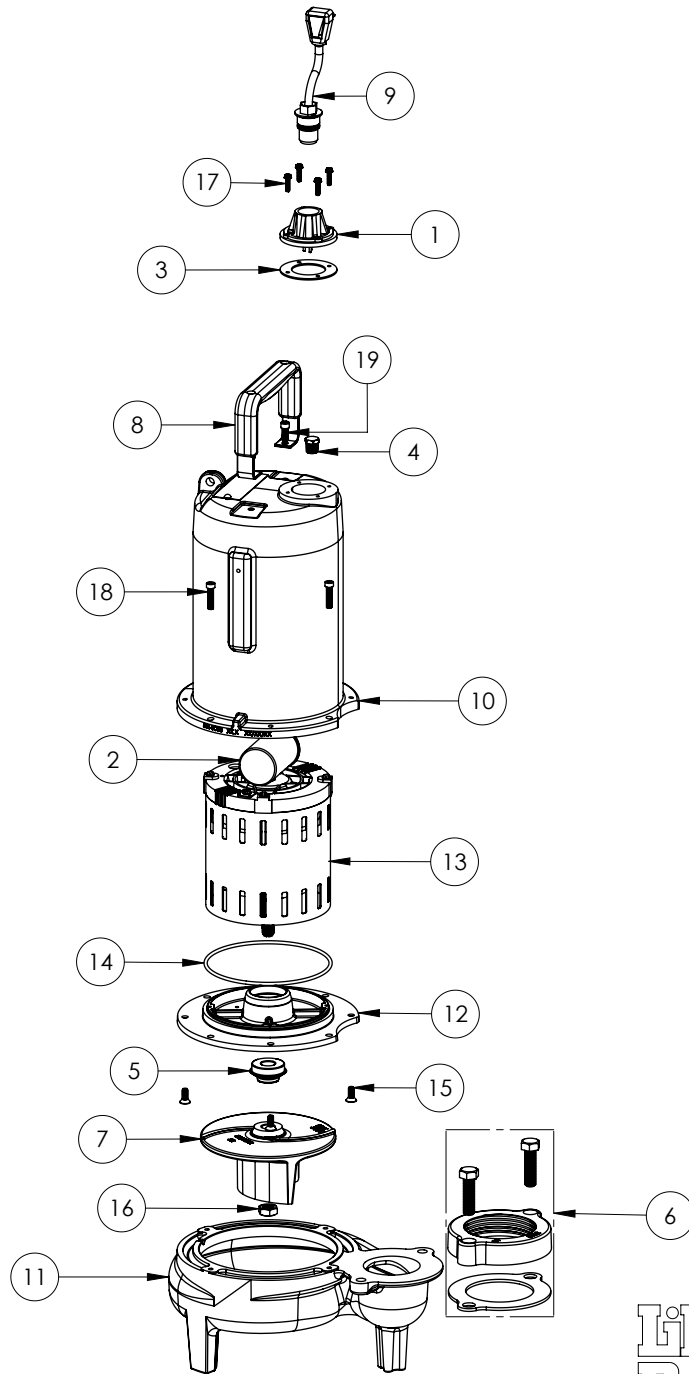


LE102M3

# LE102M3 (B72)



Liberty  
Pumps

**LE102M3****LE102M3 (B72)**

#	PART #	DESCRIPTION	QTY	Note
1	5014000	CORD PLATE	1	
2	K001926	20uF CDE CAPACITOR KIT	1	
3	5060000	CORD PLATE GASKET	1	
4	50710A0	PIPE PLUG, 1/4" HEX HD BRASS NPTF	1	
5	K001958	KIT 5/8 UNITIZED SEAL 5120000	1	[1]
6	K001222	3" DISCHARGE KIT	1	
7	K001486	5131000 IMPELLER KIT, INCLUDES 1/2" JAM NUT	1	
8	3411200	HANDLE	1	
9	K001058	POWER CORD, 10FT. 230V	1	
10	531400R	MOTOR COVER	1	[2]
11	531500R	VOLUTE HOUSING	1	
12	53260BR	MOTOR SUPPORT PLATE	1	
13	K001541	MOTOR AND MOTOR PLATE REPACEMENT KIT (LE102)	1	[2]
14	5617000	O-RING	1	
15	8018000	1/4-20 x 5/8 SLOTTED FLAT HEAD BOLT	4	
16	8046000	1/2-20 HEX STAINLESS STEEL JAM NUT	1	
17	8064000	#8-32 x 5/8 HEX WASHER HEAD SCREW	4	
18	8091000	1/4-20 x 1 HEX SOCKET HEAD BOLT	4	
19	8103000	SCREW 1/4-20x5/8" HX SKT SS	2	

**PART NOTES:**

- [1] - Part requires factory authorized service. Contact Liberty Pumps at 1-800-543-2550  
Part requires factory authorized service. Contact Liberty Pumps at 1-800-543-2550
- [2] - Part requires factory authorized service. Contact Liberty Pumps at 1-800-543-2550