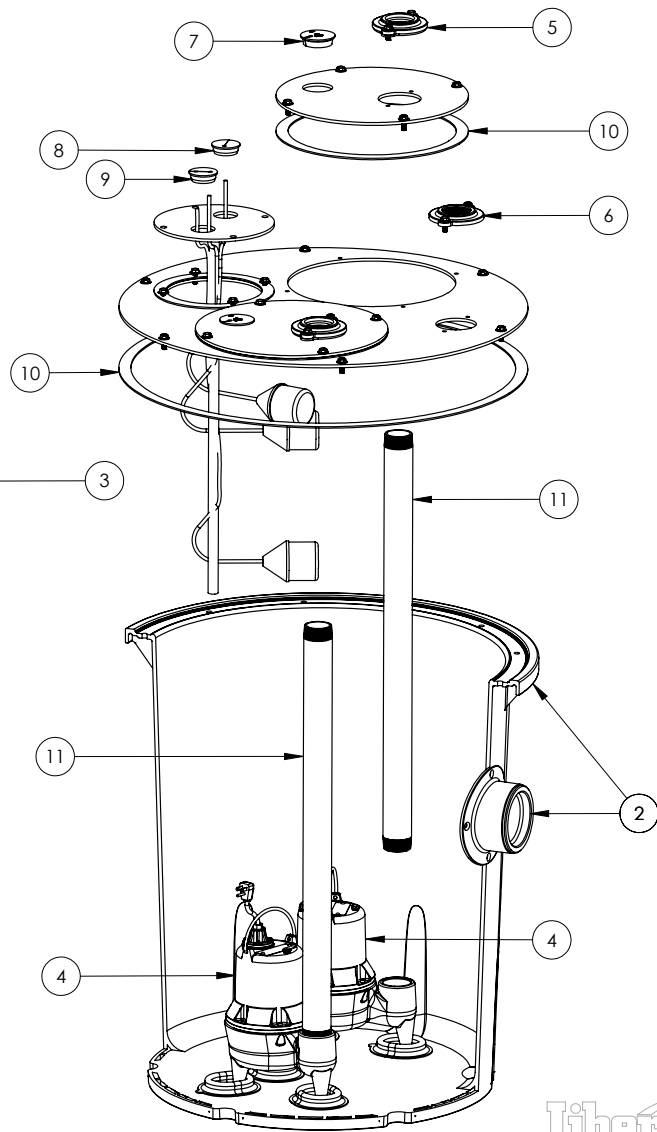
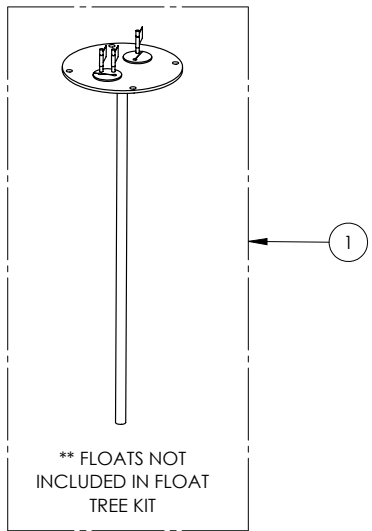
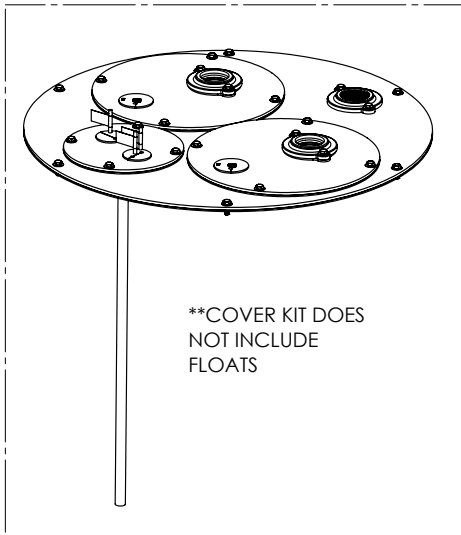


1102/LE51M (B10)



1102/LE51M**1102/LE51M (B10)**

| # | PART # | DESCRIPTION | QTY | Note |
|----|---------|--|-----|------|
| 1 | K001203 | 10" INSPECTION COVER WITH FLOAT TREE (FLOATS NOT INCLUDED) | 1 | |
| 2 | K001202 | 30" X 36" BASIN, WITH CAST IRON INLET HUB | 1 | |
| 3 | K001200 | 1100 COVER KIT 2" DISCH 2" VENT | 1 | |
| 4 | LE51M | 1/2 HP SEWAGE PUMP 115V, 10' POWER CORD | 2 | |
| 5 | K001389 | 2" DISCHARGE FLANGE KIT | 2 | |
| 6 | K001390 | 2" VENT FLANGE KIT | 1 | |
| 7 | 4508000 | 2 1/2" STOPPER - SINGLE 5/16" HOLE | 2 | |
| 8 | 45480A0 | SINGLE HOLE STOPPER | 1 | |
| 9 | 45480B0 | 2" DOUBLE HOLE STOPPER | 1 | |
| 10 | 45220C0 | GASKET TAPE | 1 | |
| 11 | 4068000 | NIPPLE 2x36 PVC SCH 80 | 2 | |

1102/LE51M (B10)

1102-LE51M_B10-A

PAGE